

DS-1280ZJ-M (SPTZ)

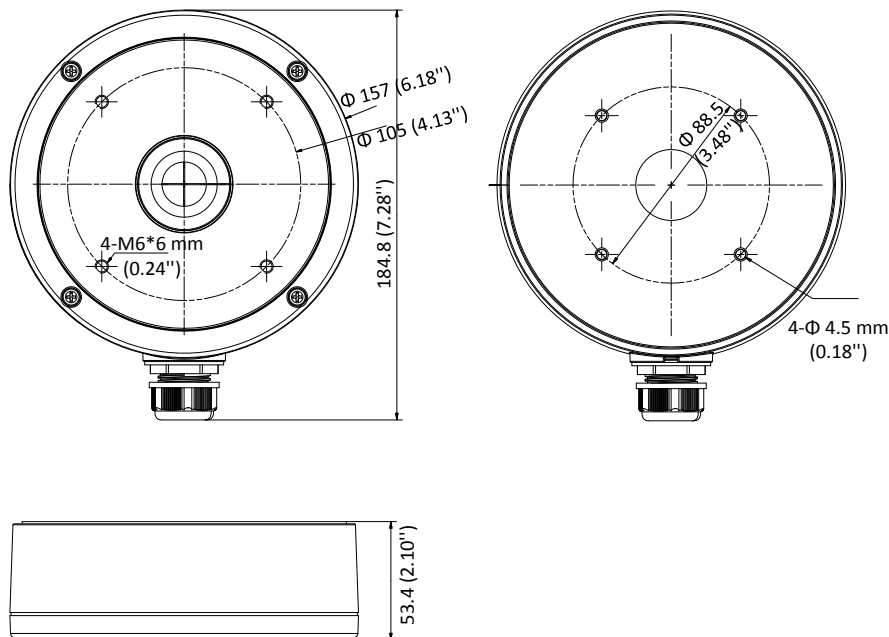
Junction Box



Feature

- Adopts overall die-casting formation enables high intensity and reliability
- Applied to both indoor and outdoor conditions
- With cable outlet(s)

Dimension



Available Model

DS-1280ZJ-M (SPTZ)

Parameter

Model	DS-1280ZJ-M (SPTZ)
Parameters	Junction Box
Appearance	Hikvision White
Material	Aluminum Alloy
Dimension	Φ 157 mm × 53.4 mm (Φ 6.18" × 2.10")
Weight	Approx. 621 g (1.37 lb.)

Note

- The junction box should be installed on a flat surface.
- The waterproof rubber is necessary for the outdoor application.
- The wall should be capable of supporting at least 3 times as much as the total weight of the camera and the junction box.
- The maximum load capacity of the mount is 4.5 kg (9.92 lb.).