

DS-2CD6414FWD-XX

1.3MP Separated Network Camera



DS-2CD6414FWD-XX is covert camera for ATM surveillance, key features including:

Single or dual lens camera body is optional, cylindrical, L-shaped and tube shape of lens are optional;

2m or 8m (between lens and camera body) cable is optional for flexible installation

DS-2CD6414FWD-XX 960p HD resolution for real-time output;

Rotate mode, BLC, True WDR are for different environment.

Key Features:

- 1/3" Progressive Scan CMOS
- Up to 1280×960@30fps for real-time output
- IR cut filter with auto switch
- True WDR, up to 120dB
- PoE power supply is supportable
- Built-in Micro SD / SDHC / SDXC card slot, up to 128GB
- Support HLC, Defog and EIS
- Optional appearance of the front-end(the mini bullet and block) and brackets

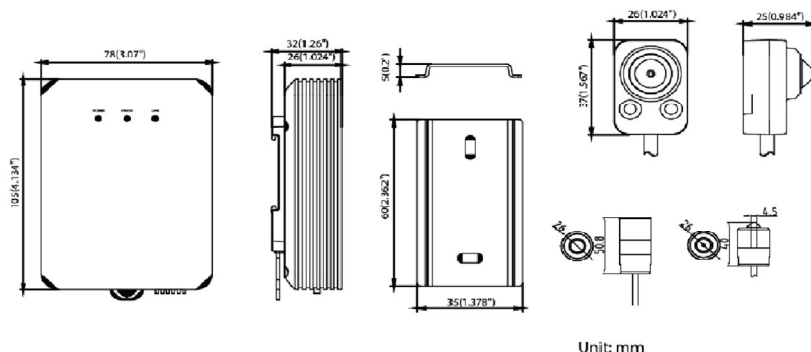
Specification

Camera	
Image Sensor	1/3" Progressive Scan CMOS
Min. Illumination	Cube lens: Color: 0.037Lux @(F2.3,AGC ON) ; B/W:0.037 Lux @(F2.3,AGC ON)
	Cylindrical lens: Color: 0.028Lux @(F2.0,AGC ON) ; B/W:0.0028 Lux @(F2.0,AGC ON)
Shutter Speed	1s ~ 1/100,000s
Slow Shutter	Support
Lens	-L10/L20/10/20: 3.7mm @F2.5, angle of view: 65° -L30/30: 2.8mm@ F2.0, angle of view: 92°/4mm @F2.5, angle of view: 71°/6 mm @F2.0, angle of view: 46°
Lens Mount	M12
WDR	120dB
DNR	3D Digital Noise Reduction
Length of Lens Cable	Optional 2m or 8m
Compression Standard	
Video Compression	H.264 /MJPEG
H.264 Type	Baseline Profile / Main Profile / High Profile
Video Bit Rate	32 Kbps – 16 Mbps
Audio Compression	G.711/G.722.1/G.726/MP2L2/PCM
Audio Bit Rate	64Kbps(G.711) / 16Kbps(G.722.1) / 16Kbps(G.726) / 32-160Kbps(MP2L2)
Image	
Max. Resolution	1280 × 960
Frame Rate	50Hz: 25fps (1280 × 960, 1280 × 720) 60Hz: 30fps (1280 × 960, 1280 × 720)
Third stream	Independent with main stream, up to 50Hz: 25fps (1280 × 960); 60Hz: 30fps (1280 × 960)
Image Setting	Rotate mode(first channel), saturation, brightness, contrast, sharpness and gray scale adjustable
BLC	Yes, zone optional
Defog	Support
EIS	Support(First channel)
Highlight Compensation	Support
Day / Night mode	Auto / Timing / Alarm trigger
Image Overlay	Support 128 × 128 size BMP with 24-bit depth image overlay, zone optional
ROI	Up to 4 fixed areas in each stream
Network	
Network Storage	Support Micro SD/SDHC/SDXC slot, up to 128GB,Edge recording, NAS (NFS,SMB/CIFS)
Alarm Trigger	motion detection, face detection, dynamic analysis, tampering alarm, network disconnect, IP address conflicts, storage full, storage error
Protocols	TCP/IP, ICMP, HTTP, HTTPS, FTP, DHCP, DNS, DDNS, RTP, RTSP, RTCP, PPPoE, NTP, UPnP, SMTP, SNMP, IGMP, 802.1X, QoS, IPv6, Bonjour
Standard	ONVIF(PROFILE S, PEOFILE G), PSIA, CGI, ISAPI
General	Reset, flickerless, multi-stream, heartbeat, rotate, password protection, video masking, watermark, anonymous login, IP address filtering
Interface	
Communication	1 RJ45 10M/100M Ethernet interface
Audio Interface	1 3.5mm audio in(Mic in/Line in)/out interface
Alarm Input	1
Alarm Output	1

General	
Working temperature and humidity	-30 °C – 60 °C (-22 °F – 140 °F) Humidity 95% or less (non-condensing)
Power Supply	12 VDC ± 10% / PoE (802.3af)
Power Consumption	Max. 4.5 W
Dimensions	78×105×32 mm (3.07" × 4.13" × 1.26")
Shipping Weight	2m cable: <570g 8m cable: <680g
Net Weight	Main body: 210g Cylindrical lens: 113g(2m), 233g(8m) L-shaped lens: 99g(2m), 220g(8m) Tube lens: 129g(2m), 242g(8m) Package + accessories: 224g
Order Models: (Different accessories included for each sensor unit) DS-2CD6414FWD-10: camera body with one cylindrical lens DS-2CD6414FWD-20: camera body with one L-shaped lens DS-2CD6414FWD-30: camera body with one Tube lens	



Dimensions



Distributed by



Headquarters

No.555 Qianmo Road, Binjiang District,
Hangzhou 310051, China
T +86-571-8807-5998
overseasbusiness@hikvision.com

Hikvision Poland
T +48-22-460-01-50
poland@hikvision.com

Hikvision USA
T +1-909-895-0400
sales.usa@hikvision.com

Hikvision India
T +91-22-28469900
sales@pramahikvision.com

Hikvision UK
T +44-1628-9021-4
support.uk@hikvision.com

Hikvision Europe
T +31-23-5542770
saleseuro@hikvision.com

Hikvision Italy
T +39-0438-6902
info.it@hikvision.com

Hikvision Singapore
T +65-6684-4718
sg@hikvision.com

Hikvision Middle East
T +971-4-8816086
salesme@hikvision.com

Hikvision France
T +33(0)1-85-330-444
info.fr@hikvision.com

Hikvision Oceania
T +61-2-8599-4233
salesau@hikvision.com

Hikvision Russia
T +7-495-669-67-99
saleru@hikvision.com

Hikvision Spain
T +34-91-737-16-55
info.es@hikvision.com

Hikvision Hong Kong
T +852-2151-1761