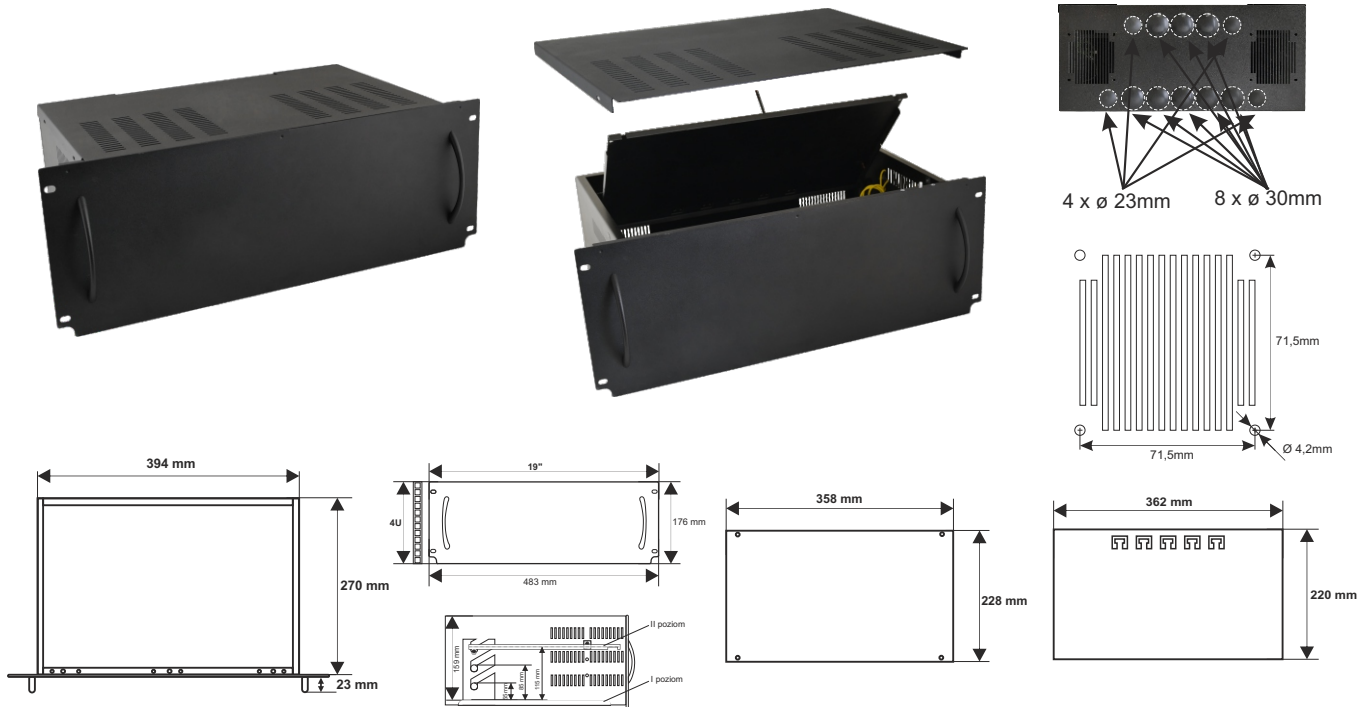


CODE: **ARAD4S v.1.1/II**  
 NAME: **RACK 4U/270mm universal enclosure for RACK 19" two-level cabinets**

EN



## DESTINATION

Due to its design, the ARAD4S enclosure is intended for mounting inside RACK 19" cabinets. This general-purpose enclosure may serve as an auxiliary element for integrating CCTV, AC, I&HAS, RTV, LAN systems in RACK 19" cabinets. It is intended for mounting alarm control panels, AC controllers, power supply units, batteries, etc.

## TECHNICAL DATA

<b>Mounting dimensions:</b>	W=19", H=4U
<b>Internal dimensions:</b>	W=390, H=159, D=265 [mm, +/-2]
<b>Fitting battery:</b>	17Ah/12V
<b>Net/gross weight:</b>	5,82 / 6,42 [kg]
<b>Materials:</b>	sheet metal DC01, 1,0mm thick + front panel thickness: 1,5mm, RAL9005 black
<b>Tampering protection:</b>	tamper – opening of enclosure
<b>Static load:</b>	- with the ARAS450 rails - 30kg - without the ARAS450 rails - 5kg
<b>Destination:</b>	inside, IP20
<b>Notes:</b>	- four-point fixing to front RACK rails - 4 M6 screws with cage nuts included - enclosure is equipped with a hinged mounting plate (first level) - enclosure is equipped with a hinged mounting plate (second level) - for mounting with the ARAS450 rails - fully extendable enclosure
<b>Declarations, warranty :</b>	CE, 2 years from production date

**Mounting without the ARAS450 rails to 5kg**



**Mounting with the ARAS450 rails to 30kg**

