

DDF5100HD Series

Primeline MK2

High Definition Camera, 2/5 MP, H.265, Day/Night, VCA, HDR, PoE, motor-driven varifocal Lens, dome housing



The cameras of the Primeline series offer an economical balance of highest resolution and light sensitivity. Their high-resolution image sensor has very good light sensitivity and delivers detailed color images even in low light conditions. The combination of the most advanced encoder technology and the sophisticated image processing results in real-time recordings with high resolution at excellent contrast, brilliant clarity and highest color fidelity.

Resolution and frame rate

The high resolution of the sensor and the sophisticated image processing allow for real-time recordings with a frame rate of 60 fps (1080p/60) or, depending on the variant, with up to 25 fps at a resolution of 4 MP. Thus, the camera is ideal for all applications that require the capture of very fast movements in high resolution.

High Dynamic Range

The camera offers an HDR function for optimal recording of scenes with very bright and dark areas. Each image is captured with two special settings that are combined in real time to create a balanced result. The resulting video stream offers much more detail in both light and dark areas and is visually very close to the human eye's perception.

Automatic switching of presets

The camera is equipped with an ambient light sensor and a removable IR cut filter and can automatically switch between day and night mode. In addition, different day and night presets can be defined and adjusted for the exposure settings.

Motor-driven varifocal lens with P-Iris

The camera has a motor-driven varifocal lens that is perfectly tuned to the image sensor. The adjustment of zoom, focus and iris is made conveniently using a web browser. The manual lens setting directly at the installation site of the camera is not required.

Digital Image Shift

The Digital Image Shift function allows digital fine alignment of the image section for all resolutions below 5 MP, using a web browser for a convenient final adjustment. This ensures a quick and easy installation of the camera.

Video Content Analysis

The integrated Video Content Analysis (VCA) detects movements and objects in the uncompressed image and analyzes them in real-time (depending on the analysis resolution) with highly developed analysis functions such as Intrusion Detection or Line Crossing. The detected events can be used to trigger the recording of a Dallmeier recording system. Together with the detected objects and the corresponding metadata, they are stored in a database. This allows the targeted search and evaluation of the recordings with Dallmeier Client software.

EdgeStorage

The camera is equipped with a RAM memory that is used by the EdgeStorage function to store the video stream in case of a network failure (e.g. Spanning Tree, Bursts). When the network is restored, the SmartBackfill function ensures fast transmission to the Dallmeier recording system. This stores the video stream with high speed and then continues to record the live stream seamlessly.

Further features

- High light sensitivity 0.03 lux
- Video compression H.264, H.265, MJPEG
- Automatic corridor mode supported
- Compatible with ONVIF Profile S and Profile T
- GDPR-compliant functions for data protection and security
- Power supply via PoE (Class 0)

DDF5100HD Series

Primeline MK2

High Definition Camera, 2/5 MP, H.265, Day/Night, VCA, HDR, PoE,
motor-driven varifocal Lens, dome housing

HDV In-Ceiling Variants



007875.414 **DDF5120HDV-DN-IM**
High Definition Camera, 2 MP, H.265, day/night, VCA, HDR, PoE,
robust dome housing, in-ceiling mount variant, motor-driven varifocal lens F1.4 / 3–10 mm



007875.415 **DDF5120HDV-DN-IM**
High Definition Camera, 2 MP, H.265, day/night, VCA, HDR, PoE,
robust dome housing, in-ceiling mount variant, motor-driven varifocal lens F1.8 /
12–40 mm



007687.414 **DDF5140HDV-DN-IM**
High Definition Camera, 5 MP, H.265, day/night, VCA, HDR, PoE,
robust dome housing, in-ceiling mount variant, motor-driven varifocal lens F1.4 / 3–10 mm



007687.415 **DDF5140HDV-DN-IM**
High Definition Camera, 5 MP, H.265, day/night, VCA, HDR, PoE,
robust dome housing, in-ceiling mount variant, motor-driven varifocal lens F1.8 /
12–40 mm

HD Surface Variants (Indoor)



007877 **DDF5120HD-DN-SM (Indoor)**
High Definition Camera, 2 MP, H.265, day/night, VCA, HDR, PoE,
indoor dome housing, surface mount, motor-driven varifocal lens F1.4 / 3–10 mm



007878 **DDF5140HD-DN-SM (Indoor)**
High Definition Camera, 5 MP, H.265, day/night, VCA, HDR, PoE,
indoor dome housing, surface mount, motor-driven varifocal lens F1.4 / 3–10 mm

Accessories



006050 **Tinted Bubble 4.5"**
Tinted bubble for in-ceiling and surface mount variant, hi-impact polycarbonate,
impact resistance IK10, diameter 4.5" (for HDV variants)



004316 **PoE Midspan 30 W**
Midspan power supply unit, 1x Ethernet port, 10/100/1000Base-T, 802.3at, 802.3af, 30 W

DDF5100HD Series

Primeline MK2

High Definition Camera, 2/5 MP, H.265, Day/Night, VCA, HDR, PoE, motor-driven varifocal Lens, dome housing

Sensor	
Type	1/2.8" CMOS
Number of sensor pixels	5MP (2592 × 1944)
Light sensitivity	<0.03lux
Dynamic range	> 100 dB with HDR
Signal to noise ration	> 50 dB

Lens	F1.4 / 3 – 10 mm	F1.8 / 12 – 40 mm
Type	Motor-driven varifocal lens	Motor-driven varifocal lens
Format / Mount	1/3" Board Lens	1/3" Board Lens
Focal length	3 – 10 mm	12 – 40 mm
Iris range	F1.4 – Closed	F1.8 – Closed
Iris control	P-Iris (motor-driven)	P-Iris (motor-driven)
Zoom / Focus control	Motor-driven	Motor-driven
Minimum object distance	0.5 m	2.5 m
IR corrected	Yes	Yes
Available angles of view ¹⁾ (H × V) at wide end	111,0° × 79,0° @ all 4:3 resolutions 111,0° × 59,2° @ all 16:9 resolutions	23,8° × 17,7° @ all 4:3 resolutions 23,8° × 13,2° @ all 16:9 resolutions
Available angles of view ¹⁾ (H × V) at tele end	31,9° × 23,9° @ all 4:3 resolutions 31,9° × 17,8° @ all 16:9 resolutions	8,3° × 6,2° @ all 4:3 resolutions 8,3° × 4,7° @ all 16:9 resolutions

Format and Encoding	DDF5120HDV-DN and DDF5120HD-DN (Indoor)	DDF5140HDV-DN and DDF5140HD-DN (Indoor)
Video standard	SDTV (PAL/NTSC) HDTV (SMPTE 296M, SMPTE 274M)	
Resolution 4:3 ²⁾	1,5 MP (1440 × 1080) @ 50/60 fps 1,2 MP (1280 × 960) @ 50/60 fps 640 × 480, 320 × 240 @ 50/60 fps	5 MP (2592 × 1944) @ 15 fps 3 MP (2016 × 1504) @ 25/30 fps 1,5 MP (1440 × 1080) @ 50/60 fps 1,2 MP (1280 × 960) @ 50/60 fps 640 × 480, 320 × 240 @ 50/60 fps
Resolution 16:9 ²⁾	1080p (1920 × 1080) @ 50/60 fps 720p (1280 × 720) @ 50/60 fps 640 × 480, 640 × 368, 480 × 272, 320 × 240 @ 50/60 fps	4 MP (2592 × 1456) @ 25/30 fps 1080p (1920 × 1080) @ 50/60 fps 720p (1280 × 720) @ 50/60 fps 640 × 480, 640 × 368, 480 × 272, 320 × 240 @ 50/60 fps
Video compression	H.264, H.265, MJPEG	
Frame rate ²⁾	Up to 60 fps	
Video bit rate	1–12 Mbps, constant and variable bit rate with priority setting for image quality ³⁾	
Video streaming	Up to 4 streams with different settings simultaneously	
Live streaming transmission method	Unicast, Multicast	
Number of live streams / clients	Up to 4 streams with up to 12 Mbps simultaneously	

1) All specifications ±5%. Minor deviations with lenses may be a result of manufacturing tolerances and do not constitute a defect.

2) If the HDR function is activated, a frame rate of maximum 25 fps can be used at all resolutions.

3) If the total available bit rate is not sufficient, not the image quality but the number of frames is adjusted.

High Definition Camera, 2/5 MP, H.265, Day/Night, VCA, HDR, PoE, motor-driven varifocal Lens, dome housing

Functions	
Day/Night switching	Ambient light sensing and removable IR cut filter (ICR), switching threshold level adjustable
Black-and-white mode	Automatic (at low light or in night mode), On, Off
Automatic Electronic Shutter	1/1 – 1/8000 s
Slow Shutter Limit	1/1 – 1/1000 s
Lens control	Zoom control (Tele – Wide), Focus control (Far – Near, One-Push AF), Iris control (P-Iris) via web browser
Digital flip function	Horizontal, vertical or both axes
Corridor mode	Automatic (activation via user interface)
Digital Image Shift	Horizontal and vertical
Digital Noise Reduction	3D-DNR (adjustable by 10 levels)
Exposure presets	Universal, Indoor, Outdoor, Casino, Low-Light, User-Defined (with automatic day/night switching)
Exposure compensation	-2 EV (Exposure Value) to + 2 EV (adjustable by 200 levels)
Exposure metering	Average metering (light information from entire scene), center-weighted average metering, spot metering
Brightness adjustment	Automatic (ALC), Manual
Gain control	Automatic (AGC) with adjustable Gain Limit
White balance	Auto: ATW (Auto Tracking White Balance), One-Push AWB (Automatic White Balance) Fixed: 2800K, 4000K, 5000K, 6500K and 7500K
Privacy Zone Masking	Hiding/masking of up to 16 protected areas (up to 100% of the entire image)
Alarm notification	Via DaVid protocol to PGuard advance, via E-Mail and FTP image upload in preparation
Alarm trigger	Application restart, EdgeStorage status
Video Content Analysis ⁴⁾	Intrusion Detection (detection of access to a defined area) Line Crossing (detection of a virtual line crossing) Tamper Detection (detection of manipulations on the camera) Object Classification (classification of objects) Face Detection (detection of faces) ⁵⁾

Protocols	
Ethernet protocols	IPv4 (ARP, ICMP, IGMPv2/IGMPv3), UDP, TCP, LLDP, CDP (v1,v2), DSCP (QoS), DNS, DHCP, NTP, HTTP/HTTPS ⁶⁾ , RTSP/RTP/RTCP, SNMP (v1, v2c, v3)
Ethernet protocols in preparation	IPv6 (NDP, ICMPv6, MLDv1/MLDv2, SLAAC, RDNS), UDPv6, TCPv6, DNSv6, DHCPv6, LDAP
Communication protocols	DaVid, DaVidS, ONVIF Profile S, Profile T, SNMP (v1, v2c, v3)
Security	HTTPS ⁶⁾ encryption, SSL/TLS ⁶⁾ 1.2 (AES), network access control according to IEEE 802.1X ⁶⁾

Connections	
Video preview output ⁷⁾	1x BNC (CVBS, 1.0 V _{p-p} , 75 Ω), 704 x 576 @50 Hz, 704 x 480 @60 Hz (4:3)
Ethernet	1x RJ45, 10BASE-T/100BASE-TX PoE

Electrical Data	
Voltage supply	PoE (Class 0)
PoE standard	IEEE 802.3af
Power consumption	Max. 6 W

4) Depending on the CPU load.

5) The function detects the presence of a face (Face Detection). The analysis of visible features and the link to person data (Face Recognition) are not supported.

6) This product includes software developed by the OpenSSL Project for use in the OpenSSL Toolkit (<http://www.openssl.org>) and cryptographic software written by Eric Young (ey@cryptsoft.com).

7) Only for HDV variants, not provided for HD variants (Indoor). Function not available if Video Content Analysis (VCA) is activated.

DDF5100HD Series

Primeline MK2

High Definition Camera, 2/5 MP, H.265, Day/Night, VCA, HDR, PoE, motor-driven varifocal Lens, dome housing

Mechanical Data	HDV In-Ceiling Variants	HD Surface Variants (Indoor)
Dimensions	Approx. Ø 170 × H 135 mm Ø 6.7 × H 5.3 inches	Approx. Ø 149 × H 124 mm Ø 6.0 × H 4.9 inches
Weight	Approx. 1200 g 2.6 lb	Approx. 700 g 1.5 lb
Adjustment	3-axes	3-axes
Bubble	Clear (with black inner liner)	Clear (with black inner liner)
Construction material	Aluminium	ABS polymer
Vandal-resistant	Yes	--
IK protection	IK10 (up to 20 joules)	--
Color	Black with white housing ring	White

Environmental Conditions	
Operating temperature	-20°C to +50°C (-4°F to 122°F)
Relative humidity	0% – 90% RH, non-condensing

Miscellaneous	
Ambient light sensor	Integrated
Local memory	50 MB RAM memory
Memory extension	microSDXC 32/64 GB, Class 10, UHS-I (optional)
Configuration and live video	Via web browser (all major platforms)
Languages	German, English
Programming interface	Open platform for integration into 3rd party systems using API
ONVIF compliance	Profile S, Profile T
GDPR compliance	Supported

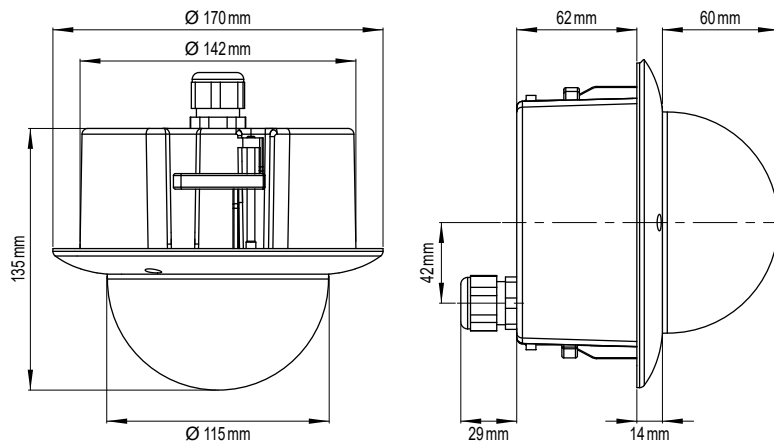
Approvals/Certifications	
Type	CE, FCC, RCM, UL, DIN EN 50130-4 compliant

DDF5100HD Series

Primeline MK2

High Definition Camera, 2/5 MP, H.265, Day/Night, VCA, HDR, PoE, motor-driven varifocal Lens, dome housing

HDV In-Ceiling Variants



HD Surface Variants (Indoor)

