

DS-2CD8447H/B-R

4MP Triple Lens Behavior Analytics Camera



Suitable for various indoor scenarios such as self-service bank, bank vault, gun chamber, interrogation room, guard room, hospital and etc.

Professional Intelligent Functions

- Hikvision AI smart camera is embedded with high-performance GPU module, supporting binocular stereo vision algorithm and deep learning algorithm.
- Support behavior analysis functions such as falling down detection, people loitering detection, overstaying detection, abnormal number of people detection
- Support 3 calibration methods: manual calibration, automatic calibration, and one-touch calibration.
- Support height filtering, filtering falling detection of the targets whose height is lower than the threshold.

General Functions

- Smart recording: support the function of continuous transmission after network disconnection to ensure that the recording is not lost, and cooperate with the smart NVR/SD card to realize the intelligent post-retrieval, analysis and concentrated playback of event recording.
- Smart coding: support low bit rate, low delay, SVC adaptive coding technology.
- Support 2688 × 1520 @30 fps real-time frame rate and the image is smoother.
- Support backlight compensation, automatic electronic shutter function, 3D digital noise reduction, digital wide dynamic (DWDR), distortion correction, adapt to different monitoring scenarios.
- Support ONVIF (PROFILE S, PROFILE G), ISAPI, SDK, Ehome, ISUP5.0, GB28181, video library protocol access.
- Support standard 256 GB and below Micro SD/Micro SDHC/Micro SDXC card storage.
- Support 10 M/100 M/1000 M adaptive network port.
- Support three-level user authority management,
- Support authorized users and passwords, support IP address filtering.



• Specification

Camera	
Image Sensor	Middle Sensor: 1/1.8" Progressive Scan CMOS Right/Left Sensor: 1/2.7" Progressive Scan CMOS
Min. Illumination	Middle Sensor: Color : 0.001 Lux @ (F1.2, AGC ON)
Shutter Speed	1/25 s~1/100,000 s
PAL/NTSC	PAL, NTSC
WDR	DWDR (Digital WDR)
Angle Adjustment	Vertical: 0~135°, horizontal: 0~355°
Lens	
FOV	Middle Len: 2.8 mm: horizontal FOV: 90.5°, vertical FOV: 56°, diagonal FOV: 99° 4 mm: horizontal FOV: 77°, vertical FOV: 48°, diagonal FOV: 85°
Max. Aperture	F1.6
Lens Mount	Middle Len: M16 Right/Left: M12
Video	
Max. Resolution	2688 × 1520
Main Stream (Frame rate/Resolution)	50 Hz: 25 fps (2688 × 1520, 2560 × 1440, 1920 × 1080, 1280 × 720) 60 Hz: 30 fps (2688 × 1520, 2560 × 1440, 1920 × 1080, 1280 × 720)
Sub Stream (Frame rate/Resolution)	50 Hz: 25 fps (704 × 576, 640 × 480) 60 Hz: 30 fps (704 × 480, 640 × 480)
Third Stream (Frame rate/Resolution)	50 Hz: 25 fps (1920 × 1080, 1280 × 720, 704 × 576, 640 × 480) 60 Hz: 30 fps (1920 × 1080, 1280 × 720, 704 × 480, 640 × 480)
Fourth Steam (Frame rate/Resolution)	50 Hz: 12.5 fps (3840 × 2160) 60 Hz: 12.5 fps (3840 × 2160)
Video Encoding	H.265/H.264/MJPEG
Video Compression Rate	32 Kbps~16 Mbps
H.264 Type	Baseline Profile/Main Profile/High Profile
H.265 Type	Main Profile
H.264+	Mainstream supports
H.265+	Mainstream supports
Bit Rate Control	CBR/VBR
Scalable Video Coding (SVC)	H.264/H.265 supports
Region of Interest (ROI)	ROI supports to set four fixed regions in mainstream, sub stream, third stream respectively
Audio	
Environment Noise Filter	Yes
Audio Sampling Rate	8 kHz/16 kHz/32 kHz/48 kHz
Audio Compression Standards	G.711/G.722.1/G.726/MP2L2/PCM
Audio Compression Rate	64 Kbps (G.711) /16 Kbps (G.722.1) /16 Kbps (G.726) /32~192 Kbps (MP2L2)
Network	
Synchronous supported channels	Up to 20 channels

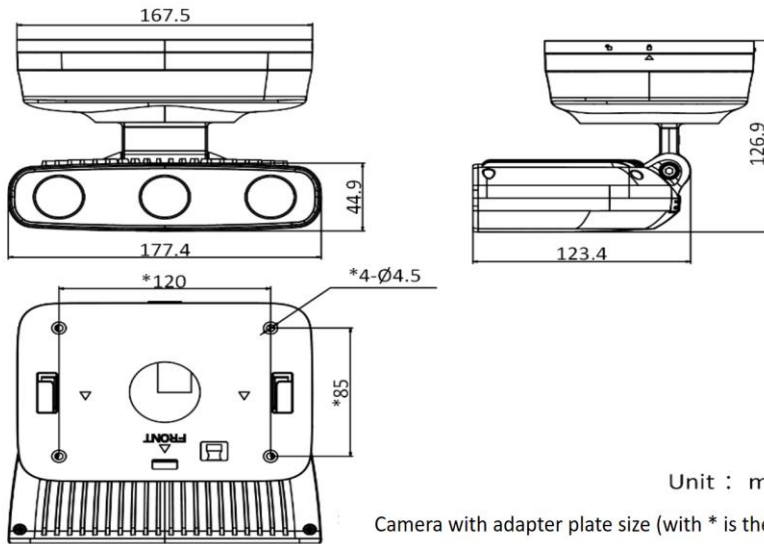
Application Programming Interface (API)	ONVIF (PROFILE S, PROFILE G) , ISAPI, SDK, Ehome, ISUP5.0, GB28181, Gallery
Network Protocols	TCP/IP, ICMP, HTTP, HTTPS, FTP, DHCP, DNS, DDNS, RTP, RTSP, RTCP, PPPoE, NTP, UPnP, SMTP, SNMP, IGMP, 802.1X, QoS, IPv6, UDP, Bonjour, SSL/TLS
User Management	Up to 32 users with three authorized levels : administrator, operator and user
Network Storage	Support Micro SD/Micro SDHC/Micro SDXC card (up to256 GB) , Auto Network Replenishment (ANR), NAS (NFS, SMB/CIFS supported)
Client	iVMS-4200, EZVIZ Cloud
Web Browser	With plug-in: IE 8+, Chrome 41.0~44, Firefox 30.0~51, Safari 8.0~11 Without plug-in: Chrome 45.0+, Firefox 52.0+
Abnormal Detection	Yes
Intelligent Analysis	Yes
Image	
Region Cropping	Yes
Picture Overlay	Yes
Image Enhancement	Backlight Compensation , Distortion Correction , 3D Digital Noise Reduction
Image Parameters Switching	Yes
Image Setting	Saturation, Brightness, Contrast, Sharpness (can be adjusted from client or web browser)
SNR (Signal to Noise Ratio)	> 50 dB
Video Mask	Yes
Interface	
Alarm in/out	Two channels for input, Two channels for output (The maximum alarm output supports DC24 V, 1 A)
Audio	One input (Line in) : terminal block, maximum input amplitude : 3.3Vpp, interface type: unbalanced One output (Line out) : maximum input amplitude: 3.3 Vpp, interface type: unbalanced
RS-232	Yes
RS-485	One RS-485 interface , adopts half-duplex mode, supports adaptive Hikvision, PELCO-P and PELCO-D protocols
On-board Storage	Built-in Micro SD/Micro SDHC/Micro SDXC slot, up to 256 GB
Reset	Yes
Network	One RJ45 10 M/100 M/1000 M adaptive Ethernet port
Smart Functions	
Smart Event	Intrusion detection , Region entrance detection, Region exit detection, Unattended Baggage Detection, Object Removal Detection, People gathering detection, Parking detection, Face detection, Scene change detection, Audio exception detection, Audio steep up/down detection, Audio presence detection, Defocus detection
Counting	Yes
Professional Intelligence (Deep Learning Algorithm)	

Behavior Analysis	falling down detection, people loitering detection, people overstaying detection, abnormal number of people detection
Calibration Method	Automatic, Manual, One-touch
Height Threshold	Support. Filtering falling detection of the targets whose height is lower than the threshold
General	
Linkage Method	Upload to FTP/Memory card/NAS, Notify surveillance center, Alarm output, Trigger recording, Trigger capture, Send email
Online Upgrade	Yes
File System Dual Backup	Yes
Web/Client Language	English
General Functions	Anti-flicker, Four streams, Heartbeat, Mirroring, Password protection, Video mask, Watermark technology, IP address filtering, Flash log, Mailbox reset password, Pixel counter
Reset	Support reset from client or web browser
Storage Conditions	-40 °C~40 °C, Humidity 95% or less (non-condensing)
Startup and Operating Conditions	-30 °C~40 °C, Humidity 95% or less (non-condensing))
Power Supply	DC: 12 V ± 20% POE: 802.3at, 42.5 V~57 V
Power Consumption and Current	DC: 12 V, 1 A, Max.: 12 W PoE: 802.3at, 42.5 V~57 V, 0.32 A~0.24 A, Max.: 14 W
Power Interface	Two-core terminal
Shell Material	Metal
Screw Material	Stainless Steel SUS304
Camera Dimension	177.4 × 159.3 × 126.9 mm
Package Dimension	237 × 237 × 210 mm
Camera Weight	1.28 kg
With Package Weight	2.06 kg
Certification	
Radiation Level	Class A
Regular Certification (from China)	GB28181, Type inspection

▪ Available Model

DS-2CD8447H/B-R

Dimension



Unit : mm

Camera with adapter plate size (with * is the size of the mounting hole)

Recommended Accessories

<p>DS-1294ZJ-PF1 Wall Bracket</p>	<p>DS-1271ZJ-BE2 Lifting Bracket</p>
