

## DS-2CE17D0T-EXLF 2 MP Smart Hybrid Light Fixed Bullet Camera



- High quality imaging with 2 MP, 1920 × 1080 resolution
- Smart-Hybrid light, optimize your security with flexible lighting options
- 2.8 mm, 3.6 mm fixed focal lens
- Up to 40 m IR distance for bright night imaging
- Up to 40 m white light distance for bright night imaging
- One port for 4 switchable signals (TVI/AHD/CVI/CVBS)
- Water and dust resistant (IP67)

## ▪ Specification

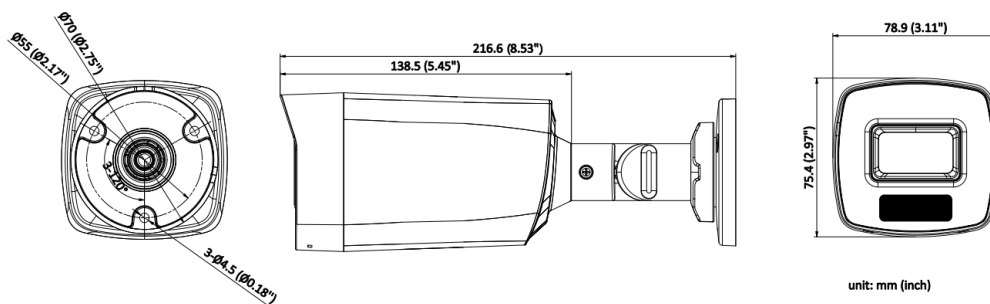
Camera	
Image Sensor	2 MP CMOS
Max. Resolution	1920 (H) × 1080 (V)
Min. Illumination	0.02 Lux @ (F2.2, AGC ON), 0 Lux with IR
Shutter Time	PAL: 1/25 s to 1/50,000 s; NTSC: 1/30 s to 1/50,000 s
Day & Night	ICR
Angle Adjustment	Pan: 0 to 360°, Tilt: 0 to 75°, Rotate: 0 to 360°
Signal System	PAL/NTSC
Lens	
Lens Type	2.8 mm, 3.6 mm fixed focal lens
Focal Length & FOV	2.8 mm, horizontal FOV: 97°, vertical FOV: 54°, diagonal FOV: 113° 3.6 mm, horizontal FOV: 77°, vertical FOV: 43°, diagonal FOV: 90°
Lens Mount	M12
Illuminator	
Supplement Light Type	White Light, IR
Supplement Light Range	IR : Up to 40 m White Light : Up to 40 m
Image	
Image Parameters Switch	STD/HIGH-SAT/HIGHLIGHT
Image Settings	Brightness, Sharpness, Smart IR
Frame Rate	TVI: 1080p @ 30 fps, 1080p @ 25 fps AHD: 1080p @ 30 fps, 1080p @ 25 fps CVI: 1080p @ 30 fps, 1080p @ 25 fps CVBS: PAL/NTSC
Wide Dynamic Range (WDR)	Digital WDR
Image Enhancement	DWDR/BLC/HLC/Global
White Balance	Auto/Manual
AGC	Yes
Interface	
Video Output	Switchable TVI/AHD/CVI/CVBS
General	
Material	Front cover: metal Main body: plastic
Dimension	78.9 mm × 75.4 mm × 216.6 mm ( 3.11" × 2.97" × 8.53")
Weight	Max. 340 g (0.75 lb.)
Operating Condition	-40 °C to 60 °C (-40 °F to 140 °F). Humidity: 90% or less (non-condensation)
Communication	HIKVISION-C
Language	English
Power Supply	12 VDC ± 25%, Max. 5 W *You are recommended to use one power adapter to supply the power for one camera.
Approval	
Protection	IP67

▪ **Available Model**

DS-2CE17D0T-EXLF(2.8mm)



DS-2CE17D0T-EXLF(3.6mm)

▪ **Dimension**



▪ **Accessory**

▪ **Optional**

DS-1280ZJ-XS Junction box	DS-2280ZJ Wall mount
	



**Headquarters**

No.555 Qianmo Road, Binjiang District,  
Hangzhou 310051, China  
T +86-571-8807-5998  
www.hikvision.com



Follow us on social media to get the latest product and solution information.

