

## DS-2CE70DF0T-LMFS 2MP Smart Hybrid Light ColorVu Fixed Turret Camera



- High quality imaging with 2 MP, 1920 × 1080 resolution
- 24/7 color imaging with F1.0 aperture
- Smart-Hybrid light, optimize your security with flexible lighting options
- 3D DNR technology delivers clean and sharp images
- 2.8 mm, 3.6 mm fixed focal lens
- Up to 20 m white light distance for bright night imaging
- High quality audio with audio over coaxial cable, built-in mic
- Up to 20 m IR distance for bright night imaging
- One port for four switchable signals (TVI/AHD/CVI/CVBS)
- Water and dust resistant (IP67)

## ▪ Specification

| Camera                   |  |
|--------------------------|--|
| Image Sensor             | 2 MP CMOS  |
| Max. Resolution          | 1920 (H) × 1080 (V)  |
| Min. Illumination        | 0.001 Lux @ (F1.0, AGC ON), 0 Lux with white light   |
| Shutter Time             | PAL: 1/25 s to 1/50,000 s; NTSC: 1/30 s to 1/50,000 s  |
| Day & Night              | ICR  |
| Angle Adjustment         | Pan: 0° to 360°, Tilt: 0° to 75°, Rotate: 0° to 360°   |
| Signal System            | PAL/NTSC   |
| Lens                     |  |
| Lens Type                | 2.8 mm and 3.6 mm fixed focal lens   |
| Focal Length & FOV       | 2.8 mm, horizontal FOV: 105°, vertical FOV: 56°, diagonal FOV: 126°<br>3.6 mm, horizontal FOV: 84°, vertical FOV: 46°, diagonal FOV: 98° |
| Lens Mount               | M12  |
| Illuminator              |  |
| Supplement Light Type    | IR,<br>White Light   |
| Supplement Light Range   | IR: Up to 20 m, White Light: Up to 20 m  |
| Smart Supplement Light   | Yes  |
| Image                    |  |
| Image Parameters Switch  | STD/HIGH-SAT/HIGHLIGHT   |
| Image Settings           | Brightness, Sharpness, Anti-banding, AGC   |
| Frame Rate               | TVI: 1080p @25 fps/30 fps<br>CVI: 1080p @25 fps/30 fps<br>AHD: 1080p @25 fps/30 fps<br>CVBS: PAL/NTSC                                    |
| Day/Night Mode           | Auto/Color/BW (Black and White)  |
| Wide Dynamic Range (WDR) | Digital WDR  |
| Noise Reduction          | 3D DNR/2D DNR  |
| White Balance            | Auto, Manual   |
| Image Enhancement        | DWDR,<br>BLC,<br>HLC,<br>Global  |
| Interface                |  |
| Video Output             | Switchable TVI/AHD/CVI/CVBS  |
| Built-in Microphone      | Yes  |
| General                  |  |
| Material                 | Metal  |
| Power                    | 12 VDC ± 25%, max. 2.9 W, *You are recommended to use one power adapter to supply the power for one camera.                              |
| Dimension                | Ø85.11 mm × 77.62 mm (Ø3.35" × 3.05")  |
| Weight                   | Approx. 320 g (0.71 lb.)   |
| Operating Condition      | -40 °C to 60 °C (-40 °F to 140 °F). Humidity 90% or less (non-condensing)  |
| Communication            | HIKVISION-C  |

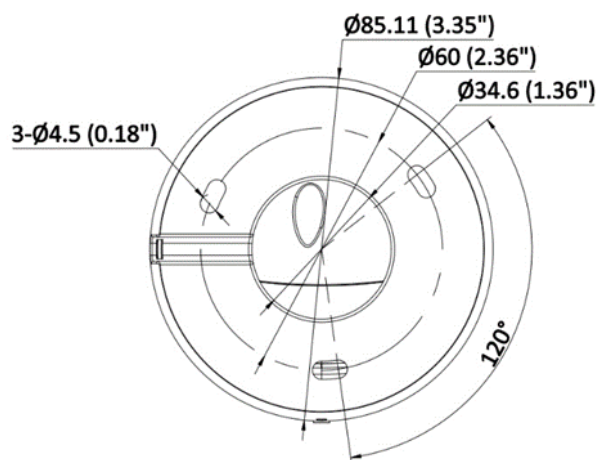
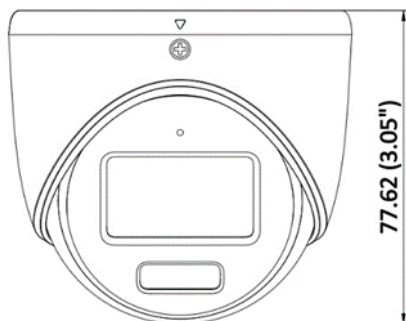
|                 |         |
|-----------------|---------|
| Language        | English |
| <b>Approval</b> |         |
| Protection      | IP67    |

▪ **Available Model**

DS-2CE70DF0T-LMFS(2.8mm)

DS-2CE70DF0T-LMFS(3.6mm)

▪ **Dimension**



Unit:mm (inch)

▪ **Accessory**

▪ **Optional**

| DS-1272ZJ-110-TRS<br>Wall mount | DS-1275ZJ-SUS<br>Vertical pole mount | DS-1276ZJ-SUS<br>Corner mount | DS-1280ZJ-XS<br>Junction box | DS-2280ZJ<br>Wall mount |
|---------------------------------|--------------------------------------|-------------------------------|------------------------------|-------------------------|
|                                 |                                      |                               |                              |                         |



**Headquarters**

No.555 Qianmo Road, Binjiang District,  
Hangzhou 310051, China  
T +86-571-8807-5998  
www.hikvision.com



Follow us on social media to get the latest product and solution information.

