

## DS-2DE3A400BW-DE(F1)(S5) 4 MP ColorVu Network PT Camera

### AcuSense



Hikvision DS-2DE3A400BW-DE(F1)(S5) 4MP Network PTZ Camera can be widely used in multiple indoor and outdoor scenes, such as malls, stores, parks, factories, scenic areas, entrances and exits.

Empowered by deep learning algorithms, Hikvision AcuSense technology brings human and vehicle targets classification alarms to front- and back-end devices. The system focuses on human and vehicle targets, vastly improving alarm efficiency and effectiveness.

- Focuses on human and vehicle targets classification based on deep learning
- Face capture: automatic selection of best shot; up to 5 faces detected and captured at the same time
- Linked audible and visual alarm. Built-in microphone and speaker
- Up to 2560 × 1440 @ 30 fps
- Min. illumination: Color: 0.0005 Lux @ (F1.0, AGC ON); 0 Lux with white light
- 24/7 colorful imaging with low power consumption. Up to 30 m white light distance
- 120 dB WDR, 3D DNR, HLC, EIS
- IP66; PoE



## ▪ DORI

The DORI (detect, observe, recognize, identify) distance gives the general idea of the camera ability to distinguish persons or objects within its field of view. It is calculated based on the camera sensor specification and the criteria given by EN 62676-4: 2015.

DORI	Detect	Observe	Recognize	Identify
Definition	25 px/m	63 px/m	125 px/m	250 px/m
Distance (Tele)	77.0 m (252.6 ft)	30.5 m (100.1 ft)	15.4 m (50.5 ft)	7.7 m (25.3 ft)

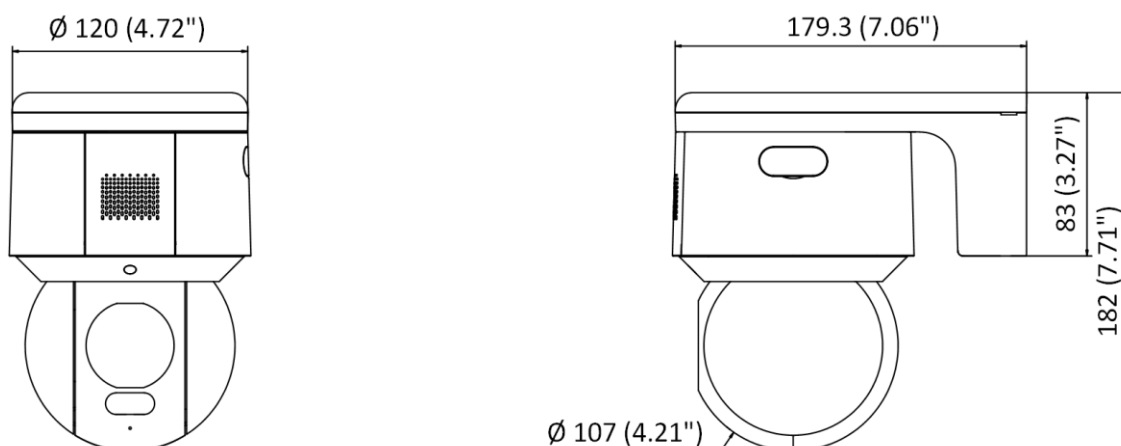
## ▪ Specification

Camera	
Image Sensor	1/1.8" progressive scan CMOS
Min. Illumination	Color: 0.0005 Lux @ (F1.0, AGC ON); 0 Lux with white light
Shutter Speed	1/1 to 1/30,000 s
Day & Night	24/7 colorful imaging
Zoom	16x digital
Max. Resolution	2560 × 1440
Lens	
Focal Length	4 mm
FOV	Horizontal field of view: 89° Vertical field of view: 45° Diagonal field of view: 107.0°
Aperture	F1.0
Illuminator	
Supplement Light Type	White Light
Supplement Light Range	White Light Distance: up to 30 m
PTZ	
Movement Range (Pan)	350°
Movement Range (Tilt)	0° to 90°
Pan Speed	Pan speed: configurable from 0.1° to 60°/s; preset speed: 60°/s
Tilt Speed	Tilt speed: configurable from 0.1° to 50°/s, preset speed 50°/s
Proportional Pan	Yes
Presets	300
Power-off Memory	Yes
Park Action	Preset, patrol scan
3D Positioning	Yes
PTZ Status Display	Yes
Preset Freezing	Yes
Scheduled Task	Preset, patrol scan, dome reboot, dome adjust, aux output
Video	
Main Stream	50 Hz: 25 fps (2560 × 1440, 1920 × 1080, 1280 × 960, 1280 × 720); 60 Hz: 30 fps (2560 × 1440, 1920 × 1080, 1280 × 960, 1280 × 720)
Sub-Stream	50 Hz: 25 fps (704 × 576, 640 × 480, 352 × 288); 60 Hz: 30 fps (704 × 480, 640 × 480, 352 × 240)
Third Stream	50Hz: 25 fps (1920 × 1080, 1280 × 960, 1280 × 720, 704 × 576, 640 × 480, 352 × 288); 60Hz: 30 fps (1920 × 1080, 1280 × 960, 1280 × 720, 704 × 480, 640 × 480, 352 × 240)

Video Compression	Main stream: H.265+/H.265/H.264+/H.264 Sub-stream: H.265/H.264/MJPEG Third stream: H.265/H.264/MJPEG
Scalable Video Coding (SVC)	H.264 and H.265 encoding
Region of Interest (ROI)	8 fixed regions for each stream
<b>Audio</b>	
Audio Compression	G.711alaw, G.711ulaw, G.722.1, G.726, MP2L2, AAC, PCM
Environment Noise Filtering	Yes
<b>Network</b>	
Network Storage	NAS (NFS, SMB/ CIFS)
Protocols	IPv4/IPv6, HTTP, HTTPS, 802.1x, QoS, FTP, SMTP, UPnP, SNMP, DNS, DDNS, NTP, RTSP, RTCP, RTP, TCP/IP, UDP, IGMP, ICMP, DHCP, PPPoE, Bonjour
API	ISAPI, Hikvision SDK, Hik-Connect, Open Network Video Interface (Profile S, Profile G, Profile T), ISUP
Simultaneous Live View	Up to 20 channels
User/Host	Up to 32 users. 3 levels: Administrator, Operator and User
Security	Authenticated username and password, MAC address binding, HTTPS encryption, 802.1X authenticated access, IP address filter
Web Browser	IE 10+, Chrome 57+, Firefox 52+, Safari 12+
<b>Image</b>	
Day/Night Switch	Day, night, auto, scheduled-switch
Image Enhancement	BLC, HLC, 3D DNR
Wide Dynamic Range (WDR)	120 dB WDR
Defog	Digital defog
Image Stabilization	EIS
Regional Exposure	Yes
Image Settings	Saturation, brightness, contrast, sharpness, gain, and white balance adjustable by client software or web browser
Image Parameters Switch	Yes
Privacy Mask	Up to 24 masks (8 masks for each scene)
SNR	>52 dB
<b>Interface</b>	
Built-in Speaker	1 built-in speaker
Power Output	12 VDC; < 60 mA
Ethernet Interface	1 RJ45 10 M/100 M Ethernet interface; PoE (802.3at)
On-board Storage	Built-in memory card slot, support MicroSD/SDHC/SDXC, up to 512 GB
Alarm	1 input, 1 output
Audio	1 input (line in), max. input amplitude: 2-2.4 vpp, input impedance: 1 K $\Omega$ $\pm$ 10%; 1 output (line out), line level, output impedance: 600 $\Omega$
RS-485	1 RS-485 (Half duplex, HIKVISION, Pelco-P, Pelco-D, self-adaptive)
Reset	Yes
<b>Event</b>	
Basic Event	Video tampering alarm, motion detection, alarm input, alarm output, exception
Smart Event	Line crossing detection, region entrance detection, unattended baggage detection, object removal detection, intrusion detection, region exiting detection, audio exception detection

Alarm Linkage	Preset, memory card video recording, alarm output, sending email, notify surveillance center, upload to FTP, audible warning, white light flashing
<b>Deep Learning Function</b>	
Face Capture	Detects up to 5 faces simultaneously. Supports detecting, capturing, grading, selecting of face in motion, and outputs the best face picture
Perimeter Protection	Line crossing, intrusion, region entrance, region exiting Support alarm triggering by specified target types (human and vehicle)
<b>General</b>	
General Function	Mirror, password protection, watermark, IP address filter
Power	12 VDC, 3.33 A & PoE (802.3at), 42.5 to 57 VDC, 0.6 A Max. 14 W (including max. 4 W for white light)
Operating Condition	Humidity: ≤ 90%, temperature: -30°C to 65°C (-22°F to 149°F)
Demist	Yes
Dimension	179.3 mm × 120 mm × 182 mm (7.06" × 4.72" × 7.71")
Weight	Approx. 1.125 kg (2.48 lb.)
<b>Approval</b>	
Protection	IP66; 6000 V Lightning Protection, Surge Protection and Voltage Transient Protection

## ▪ Dimension



Unit: mm (inch)

## ▪ Available Model

DS-2DE3A400BW-DE(F1)(S5)(B)

## Accessory

### Included



Power adapter



Distributed by



## **HIKVISION®**

### **Headquarters**

No.555 Qianmo Road, Binjiang District,  
Hangzhou 310051, China  
T +86-571-8807-5998  
overseasbusiness@hikvision.com

### **Hikvision USA**

T +1-909-895-0400  
sales.usa@hikvision.com

### **Hikvision Australia**

T +61-2-8599-4233  
salesau@hikvision.com

### **Hikvision India**

T +91-22-28469900  
sales@pramahikvision.com

### **Hikvision Canada**

T +1-866-200-6690  
sales.canada@hikvision.com

### **Hikvision Thailand**

T +662-275-9949  
sales.thailand@hikvision.com

### **Hikvision Europe**

T +31-23-5542770  
sales.eu@hikvision.com

### **Hikvision Italy**

T +39-0438-6902  
info.it@hikvision.com

### **Hikvision Brazil**

T +55 11 3318-0050  
Latam.support@hikvision.com

### **Hikvision Turkey**

T +90 (216)521 7070- 7074  
sales.tr@hikvision.com

### **Hikvision Malaysia**

T +601-7652-2413  
sales.my@hikvision.com

### **Hikvision UK & Ireland**

T +01628-902140  
sales.uk@hikvision.com

### **Hikvision South Africa**

Tel: +27 (10) 0351172  
sale.africa@hikvision.com

### **Hikvision France**

T +33(0)1-85-330-450  
info.fr@hikvision.com

### **Hikvision Kazakhstan**

T +7-727-9730667  
nikia.panfilov@hikvision.ru

### **Hikvision Vietnam**

T +84-974270888  
sales.vt@hikvision.com

### **Hikvision UAE**

T +971-4-4432090  
salesme@hikvision.com

### **Hikvision Singapore**

T +65-6684-4718  
sg@hikvision.com

### **Hikvision Spain**

T +34-91-737-16-55  
info.es@hikvision.com

### **Hikvision Tashkent**

T +99-87-1238-9438  
uzb@hikvision.ru

### **Hikvision Hong Kong**

T +852-2151-1761  
info.hk@hikvision.com

### **Hikvision Russia**

T +7-495-669-67-99  
saleru@hikvision.com

### **Hikvision Korea**

T +82-(0)31-731-8817  
sales.korea@hikvision.com

### **Hikvision Poland**

T +48-22-460-01-50  
info.pl@hikvision.com

### **Hikvision Indonesia**

T +62-21-2933759  
Sales.Indonesia@hikvision.com

### **Hikvision Colombia**

sales.colombia@hikvision.com