

DS-2TD4237T-10/V2

Thermographic Thermal & Optical Bi-spectrum Network Speed Dome

DeepinView^{series}



Hikvision DS-2TD4237T-10/V2 Thermographic Thermal & Optical Bi-spectrum Network Speed Dome is applied to manufacture process supervision of pyrophoric materials in factories, electric substation, and hydropower station. The accurate temperature measurement system sends you alarms to protect you from property loss.

Smart Function (Thermal Imaging)

- Image processing technology: Adaptive AGC, DDE, 3D DNR, NETD ≤ 40 mK (25°C), F#=1.0
- Smart tracking: Event tracking and Multi-scene patrol tracking
- Smart tracking linkage: thermal view and optical view
- Behavior analysis algorithm: Line crossing, Intrusion, Region Entrance & Exit
- Temperature alarm for fire prevention
- Fire detection algorithm

Thermal Imaging Module Function

- 384 × 288 (the resolution of output image is 1280 × 720) resolution sensor, high sensitivity sensor, support contrast adjustment
- 3D DNR, 15 palettes, image detail enhancement



Specification

Thermal Module	
Image Sensor	Vanadium Oxide Uncooled Focal Plane Arrays
Max. Resolution	384 × 288 (the resolution of output image is 1280 × 720)
Pixel Interval	17 μm
Response Waveband	8 μm to 14 μm
NETD	≤ 40 mK (25°C), F# = 1.0
Lens (Focal Length)	10 mm
IFOV	1.70 mrad
Field of View	37.7° × 28.7° (H × V)
Min. Focusing Distance	1.2 m
Aperture	F1.0
Optical Module	
Image Sensor	1/2.8" Progressive Scan CMOS
Max. Image Resolution	1920 × 1080
Min. Illumination	Color: 0.05 Lux @(F1.2,AGC ON), B/W: 0.01 Lux @(F1.2, AGC ON)
Lens (Focal Length)	4.8-153mm
Field of View	horizontal FOV 58.4° to 2.14°, vertical FOV 33.8° to 1.2°, diagonal FOV 65.6° to 2.46°
Aperture Range	F1.2-F4.4
Focus Mode	Auto / Semiautomatic / Manual
WDR	120 dB
Shutter Speed	1s to 1/100,000s
Day & Night	IR cut filter
Smart Function	
VCA (Video Content Analysis)	4 VCA rule types (Line Crossing, Intrusion, Region Entrance, and Region Exiting), up to 8 VCA rules in total
Temperature Measurement	3 temperature measurement rule types, 21 rules (10 points, 10 areas, and 1 line).
Temperature Range	-20°C to 550°C (-4°F to 1,022°F)
Temperature Accuracy	Max (±2°C, ±2%)
Fire detection	Indoor dynamic fire point detection, up to 10 fire points detectable.
PTZ	
Movement Range	Pan: 360° continuous rotate; Tilt: From -5° to + 90° (auto flip)
Pan Speed	0.1°/s to 200°/s
Tilt Speed	0.1°/s to 105°/s
Proportional Zoom	Yes
Presets	300
Patrol Scan	8, up to 32 presets per patrol
Pattern Scan	4, more than 10 minutes per pattern
Power Off Memory	Yes

Park	Preset/Pattern Scan/Patrol Scan/Auto Scan/Tilt Scan/Random Scan/Frame Scan/Panorama Scan
PT Status	Turn On/Turn Off
Scheduled Task	Preset/Pattern Scan/Patrol Scan/Auto Scan/Tilt Scan/Random Scan/Frame Scan/Panorama Scan/Doom Reboot/Doom Adjust/Aux Output
Infrared	
IR Distance	Up to 100 m
IR Intensity and Angle	Auto Adjust
Network	
Main Stream	Visible Light: 50 Hz: 25 fps (1920 × 1080), 25 fps (1280 × 960), 25 fps (1280 × 720) Visible Light: 60 Hz: 30 fps (1920 × 1080), 30 fps (1280 × 960), 30 fps (1280 × 720) Thermal: 50 fps(1280 × 720), 50 fps(704 × 546), 50 fps(384 × 288), 50 fps(352 × 288)
Sub Stream	Visible Light: 50 Hz: 25 fps (704 × 576), 25 fps (352 × 288) Visible Light: 60 Hz: 30 fps (704 × 480), 30 fps (352 × 288) Thermal: 50 fps(704 × 546), 50 fps(384 × 288), 50 fps(352 × 288)
Video Compression	H.265/H.264
Audio Compression	G.711u/G.711a/G.722.1/MP2L2/G.726/PCM
Protocols	TCP/IP, ICMP, HTTP, HTTPS, FTP, DHCP, DNS, DDNS, RTP, RTSP, RTCP, PPPoE, NTP, UPnP, SMTP, SNMP, IGMP, 802.1X, QoS, IPv6, UDP, Bonjour
Simultaneous Live View	Up to 20-ch
User/Host level	Up to 32 users, 3 levels: Administrator, Operator, User
Security Measures	User authentication (ID and PW), MAC address binding, HTTPS encryption, IEEE 802.1x access control, IP address filtering
Interface	
Alarm Input	Up to 7-ch inputs (0 to 5 VDC)
Alarm Output	Up to 2-ch relay outputs, alarm response actions configurable
Alarm Action	Preset/Patrol Scan/Pattern Scan/SD Card Record/Relay Output/Smart capture/FTP upload/Email linkage
Audio Input	1 3.5 mm Mic in/Line in interface. Line input: 2 to 2.4 V[p-p], output impedance:1 K Ω \pm 10%
Audio Output	Linear Level; Impedance: 600 Ω
Reset	1 Reset Button
Ethernet	1 RJ45 10M/100M Self-adaptive Ethernet interface, 1 RS-485 interface
SD Memory Card	Built-in Micro SD card slot, support Micro SD/SDHC/SDXC card (up to 256G), support manual/alarm recording
Analog Video Output	1.0 V [p-p]/75 Ω , PAL/NTSC/BNC
Application Programming	ISAPI, HIKVISION SDK, third-party management platform, open network video interface
Client	iVMS-4200
Web Browser	Live view (plug-in allowed) : Internet Explorer 11 Live view (plug-in free) : Chrome 57.0 +, Firefox 52.0 + Local service : Chrome 57.0 +, Firefox 52.0 +

General

Menu language	32 languages English, Russian, Estonian, Bulgarian, Hungarian, Greek, German, Italian, Czech, Slovak, French, Polish, Dutch, Portuguese, Spanish, Romanian, Danish, Swedish, Norwegian, Finnish, Croatian, Slovenian, Serbian, Turkish, Korean, Traditional Chinese, Thai, Vietnamese, Japanese, Latvian, Lithuanian, Portuguese (Brazil)
Power	24 VAC \pm 20%, two-core terminal block 48 VDC \pm 20%, two-core terminal block
Power Consumption	24 VAC \pm 20%: 0.88 A, max. 30 W 48 VDC \pm 20%: 0.625 A, max. 30 W
Working Temperature/Humidity	-40°C to 60°C (-40°F to 140°F), 90% or less
Protection Level	IP66 Standard TVS 6000V Lightning protection, surge protection, voltage transient protection
Dimensions	305 mm \times 185 mm \times 163 mm (12.01" \times 7.28" \times 6.42")
Weight	3.9 Kg (8.6 lb)

Detection Range Table

* The table is only for reference, the performance may vary from camera to camera.

Smart functions Range

Different targets trigger the VCA events within different range limits.

VCA Range (Vehicles: 1.4×4.0m)	VCA Range (Humans: 1.8×0.5m)	Temperature Measurement (Object:2×2 m)	Temperature measurement (Object:1×1 m)	Fire Detection (Object:2×2 m)	Fire Detection (Object:1×1 m)
206 m	74 m	235 m	118 m	588 m	294 m

Wide Range Coverage

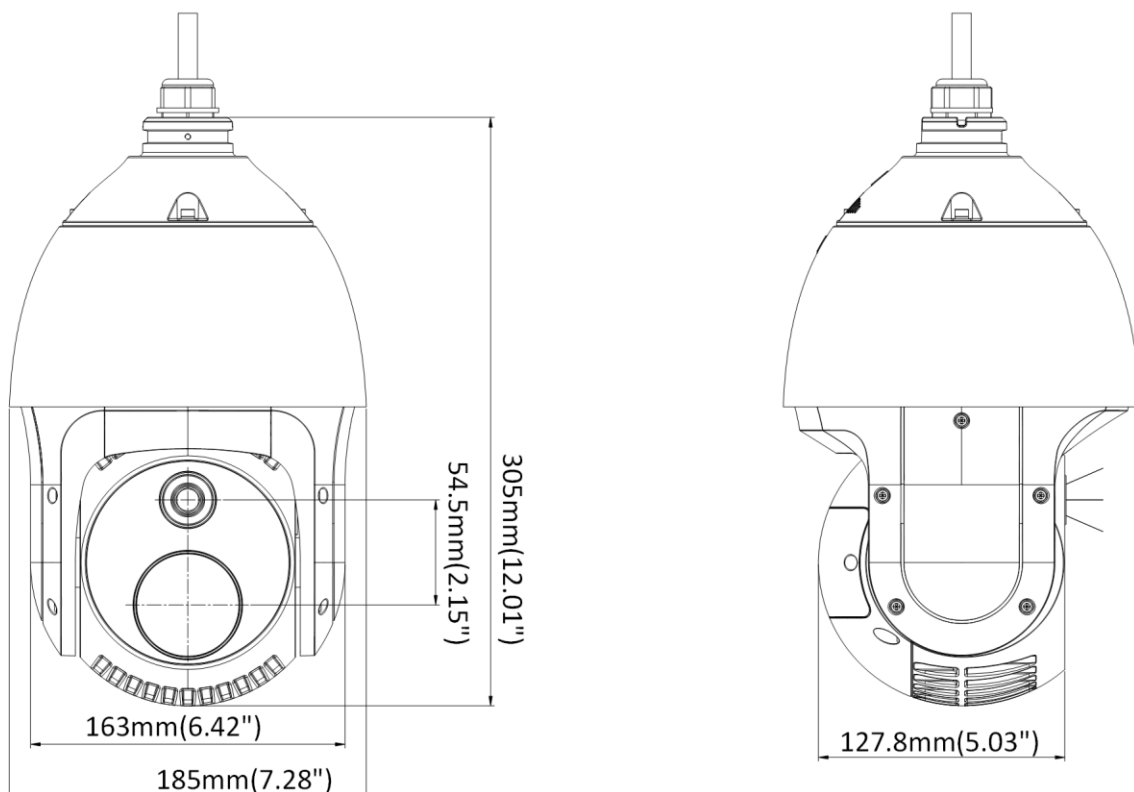
There is range limit for detecting, recognizing, and identifying human/vehicle targets.

Detection Range (Vehicles: 1.4×4.0m)	Detection Range (Humans: 1.8×0.5m)	Recognition Range (Vehicles: 1.4×4.0m)	Recognition Range (Humans: 1.8×0.5m)	Identification Range (Vehicles: 1.4×4.0m)	Identification Range (Humans: 1.8×0.5m)
902 m	294 m	225 m	74 m	113 m	37 m

Available Model

DS-2TD4237T-10/V2

Dimension



COMPLIANCE NOTICE: The thermal series products might be subject to export controls in various countries or regions, including without limitation, the United States, European Union, United Kingdom and/or other member countries of the Wassenaar Arrangement. Please consult your professional legal or compliance expert or local government authorities for any necessary export license requirements if you intend to transfer, export, re-export the thermal series products

between different countries.

Distributed by

**HIKVISION®****Headquarters**

No.555 Qianmo Road, Binjiang District,
Hangzhou 310051, China
T +86-571-8807-5998
overseasbusiness@hikvision.com

Hikvision USA
T +1-909-895-0400
sales.usa@hikvision.com

Hikvision Australia
T +61-2-8599-4233
salesau@hikvision.com

Hikvision India
T +91-22-28469900
sales@pramahikvision.com

Hikvision Canada
T +1-866-200-6690
sales.canada@hikvision.com

Hikvision Thailand
T +662-275-9949
sales.thailand@hikvision.com

Hikvision Europe
T +31-23-5542770
sales.eu@hikvision.com

Hikvision Italy
T +39-0438-6902
info.it@hikvision.com

Hikvision Brazil
T +55 11 3318-0050
Latam.support@hikvision.com

Hikvision Turkey
T +90 (216)521 7070- 7074
sales.tr@hikvision.com

Hikvision Malaysia
T +601-7652-2413
sales.my@hikvision.com

Hikvision UK & Ireland
T +01628-902140
sales.uk@hikvision.com

Hikvision South Africa
Tel: +27 (10) 0351172
sale.africa@hikvision.com

Hikvision France
T +33(0)1-85-330-450
info.fr@hikvision.com

Hikvision Kazakhstan
T +7-727-9730667
nikia.panfilov@hikvision.ru

Hikvision Vietnam
T +84-974270888
sales.vt@hikvision.com

Hikvision UAE
T +971-4-4432090
salesme@hikvision.com

Hikvision Singapore
T +65-6684-4718
sg@hikvision.com

Hikvision Spain
T +34-91-737-16-55
info.es@hikvision.com

Hikvision Tashkent
T +99-87-1238-9438
uzb@hikvision.ru

Hikvision Hong Kong
T +852-2151-1761
info.hk@hikvision.com

Hikvision Russia
T +7-495-669-67-99
sateru@hikvision.com

Hikvision Korea
T +82-(0)31-731-8817
sales.korea@hikvision.com

Hikvision Poland
T +48-22-460-01-50
info.pl@hikvision.com

Hikvision Indonesia
T +62-21-2933759
Sales.Indonesia@hikvision.com

Hikvision Colombia
sales.colombia@hikvision.com