

## DS-2XC6645G0-IZHRS

### 4 MP Anti-Corrosion Network Bullet Camera



- 316L stainless steel enclosure, protecting cameras to be used in corrosive environments, providing reliability and longevity compared to standard cameras
- A built-in wiper removes water and dust on the screen and ensures clear images when the camera is used in dusty or damp environments
- IP67 water resistant, preventing water ingress for outdoor use
- H.265+/H.265/H.264+/H.264 encoding: efficient compression technology saves storage space and reduces bandwidth requirements



## ▪ Specification

Camera	
Image Sensor	1/1.8" Progressive Scan CMOS
Min. Illumination	Color: 0.0005 Lux @(F1.2, AGC ON) B/W: 0.0001 Lux @(F1.2 , AGC ON), 0 Lux with IR
Shutter Speed	1/3 s to 1/100,000 s
Slow Shutter	Yes
P/N	P/N
Wide Dynamic Range	120 dB
Day & Night	IR cut filter
Lens	
Lens Type	Motorized focal length, 2.8 to 12 mm, 8 to 32 mm
Focus	Auto, semi-auto, manual
Focal Length & FOV	2.8 to 12 mm, F1.4: horizontal field of view, 94.2° to 38.1° 8 to 32 mm, F1.7: horizontal field of view, 42.2° to 15.1°
Illuminator	
IR Wavelength	850 nm
IR Range	2.8~12 mm: 80 m, 8~32 mm: 150 m
Video	
Max. Resolution	2688 × 1520
Main Stream	H.264/H.265: 50 Hz: 25fps (2688 × 1520, 2304 × 1296 × 1920 × 1080, 1280 × 720) 60 Hz: 30 fps (2688 × 1520, 2304 × 1296, 1920 × 1080, 1280 × 720)
Sub-Stream	H.264/H.265/MJPEG: 50 Hz: 25 fps (640 × 480, 640 × 360, 320 × 240) 60 Hz: 30fps (640 × 480, 640 × 360, 320 × 240)
Third Stream	H.264/H.265: 50 Hz: 25 fps (1280 × 720, 640 × 480, 640 × 360, 320 × 240) 60 Hz: 30 fps (1280 × 720, 640 × 480, 640 × 360, 320 × 240)
Video Compression	Main stream: H.265/H.264 Sub stream: H.265/H.264/MJPEG Third stream: H.265/H.264
Video Bit Rate	32 Kbps~8Mbps
H.264 Type	Baseline Profile/Main Profile/High Profile
H.265 Type	Main Profile
H.264+	Main stream supports
H.265+	Main stream supports
Bit Rate Control	CBR, VBR
Scalable Video Coding (SVC)	H.265 and H.264 support
Region of Interest (ROI)	1 fixed regions for main stream and sub-stream
Audio	
Environment Noise Filtering	Yes
Audio Sampling Rate	8 kHz/16 kHz/32 kHz/44.1 kHz/48 kHz
Audio Compression	G.711/G.722.1/G.726/MP2L2/PCM/AAC/MP3

Audio Bit Rate	64Kbps(G.711)/16Kbps(G.722.1)/16Kbps(G.726)/32-192Kbps(MP2L2)/8Kbps-320Kbps(MP3)
Audio Type	Mono sound
<b>Network</b>	
Simultaneous Live View	Up to 6 channels
API	Open Network Video Interface, ISAPI, SDK, Ehome
Protocols	TCP/IP, ICMP, HTTP, HTTPS, FTP, SFTP, DHCP, DNS, DDNS, RTP, RTSP, RTCP, PPPoE, NTP, UPnP, SMTP, SNMP, IGMP, 802.1X, QoS, IPv6, UDP, SSL/TLS
User/Host	Up to 32 users. 3 user levels: administrator, operator and user
Network Storage	MicroSD/SDHC/SDXC card (256 GB) local storage, and NAS(NFS, SMB/CIFS), auto network replenishment (ANR) Together with high-end Hikvision memory card, memory card encryption and health detection are supported.
Client	iVMS-4200, Hik-Connect, Hik-Central
Web Browser	Plug-in required live view: IE8+, Chrome41.0~44, Firefox30.0~51, Safari8.0~11 Plug-in free live view: Chrome45.0+, Firefox52.0+ Local service: Chrome 57.0+, Firefox 52.0+Not recommended: Safari 11+, Edge
<b>Image</b>	
Smart IR	The IR LEDs on camera should support Smart IR function to automatically adjust power to avoid image overexposure.
Day/Night Switch	Day, Night, Auto, Schedule
Target Cropping	Yes
Image Enhancement	BLC, HLC, 3D DNR, Defog, EIS
Image Parameters Switch	Yes
Image Settings	Rotate mode, saturation, brightness, contrast, sharpness, gain, white balance adjustable by client software or web browser
SNR	≥ 50db
Privacy Mask	Yes
<b>Interface</b>	
Video Output	1Vp-p composite output (75 Ω/BNC)
Ethernet Interface	RJ45 10M/100M self-adaptive Ethernet port
On-Board Storage	Built-in microSD/SDHC/SDXC slot, up to 256 Gb <i>*You are recommended to purchase memory card together with the product if needed. After ordering, the memory card will be installed to product during manufacturing.</i>
Alarm	1 input, 1 output
Hardware Reset	Yes
Heater	Yes
Wiper	Yes
<b>Event</b>	
Smart Event	Line crossing detection, intrusion detection, region entrance detection, region exiting detection, unattended baggage detection, object removal detection, scene change detection, defocus detection
Exception Detection	Network disconnected, IP address conflict, illegal login, HDD full, HDD error
<b>General</b>	
Camera Dimension	179.9 mm × 203.2 mm × 472 mm (7.08" × 8" × 18.58")

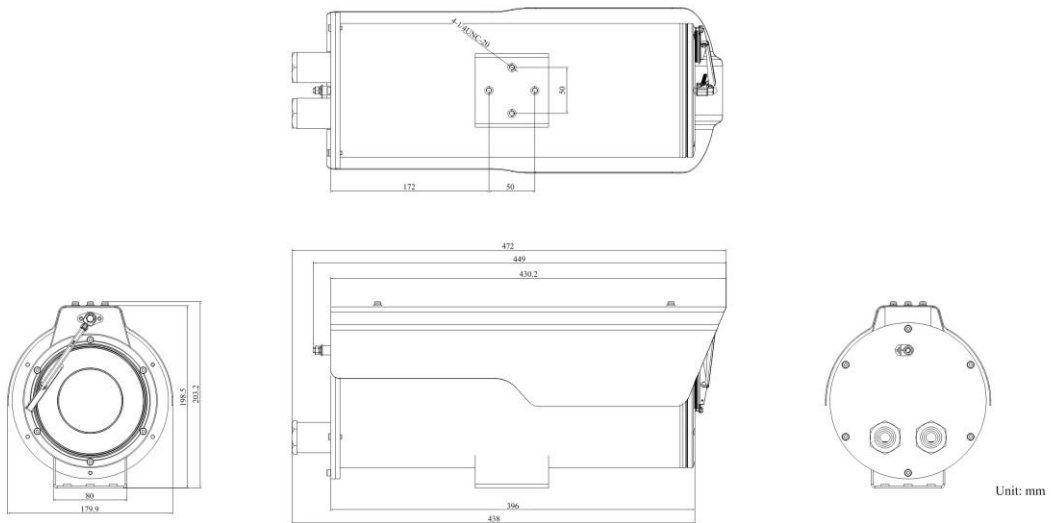
Camera Weight	10.95 kg (24.14 lb.)
Linkage Method	Upload to FTP/NAS/memory card, notify surveillance center, send email, trigger alarm output, trigger recording, trigger capture
Power Consumption and Current	AC 24V: 24V ~ , 1.7A, 50/60Hz, 40W PoE: (802.3at, 42.5V-57V), 0.57 A to 0.43 A, Max: 24W
Power Supply	AC: 24V±20%; PoE: 802.3at
Startup and Operating Conditions	-40 °C to +60 °C (-40 °F to +140 °F), Humidity 95% or less (non-condensing)
Online Upgrade	Yes
Firmware Version	5.5.153
General Function	Anti-flicker, heartbeat, mirror, privacy masks, flash log, password reset via e-mail, pixel counter
Software Reset	Yes
<b>Approval</b>	
EMC	47 CFR Part 15, Subpart B; EN 55032: 2015, EN 61000-3-2: 2014, EN 61000-3-3: 2013, EN 50130-4: 2011 +A1: 2014; AS/NZS CISPR 32: 2015; ICES-003: Issue 6, 2016; KN 32: 2015, KN 35: 2015
Safety	UL 60950-1, IEC 60950-1:2005 + Am 1:2009 + Am 2:2013, EN 60950-1:2005 + Am 1:2009 + Am 2:2013, IS 13252(Part 1):2010+A1:2013+A2:2015
Environment	2011/65/EU, 2012/19/EU, Regulation (EC) No 1907/2006
Protection	IP67
Anti-Corrosion Protection	NEMA 4X C5-M: 720H neutral salt spray, 480H water condensation; Exterior environments: industrial areas with high humidity and aggressive atmosphere and coastal areas with high salinity; Interior environments: buildings or areas with almost permanent condensation and with high pollution.

*\*You are recommended to purchase memory card together with the product if needed. After ordering, the memory card will be installed to product during manufacturing.*

## ▪ Available Model



DS-2XC6645G0-IZHRS

## ▪ Dimension



Unit: mm

- **Accessory**
- **Optional**

<b>DS-1701ZJ-AC1(O S)</b> <b>Wall mount</b>	<b>DS-1284ZJ-M-AC 3(OS)</b> <b>Junction box</b>
	

Distributed by

**HIKVISION®****Headquarters**

No.555 Qianmo Road, Binjiang District,  
Hangzhou 310051, China  
T +86-571-8807-5998  
overseasbusiness@hikvision.com

**Hikvision USA**  
T +1-909-895-0400  
sales.usa@hikvision.com

**Hikvision Australia**  
T +61-2-8599-4233  
salesau@hikvision.com

**Hikvision India**  
T +91-22-28469900  
sales@pramahikvision.com

**Hikvision Canada**  
T +1-866-200-6690  
sales.canada@hikvision.com

**Hikvision Thailand**  
T +662-275-9949  
sales.thailand@hikvision.com

**Hikvision Europe**  
T +31-23-5542770  
sales.eu@hikvision.com

**Hikvision Italy**  
T +39-0438-6902  
info.it@hikvision.com

**Hikvision Brazil**  
T +55 11 3318-0050  
Latam.support@hikvision.com

**Hikvision Turkey**  
T +90 (216)521 7070- 7074  
sales.tr@hikvision.com

**Hikvision Malaysia**  
T +601-7652-2413  
sales.my@hikvision.com

**Hikvision UK & Ireland**  
T +01628-902140  
sales.uk@hikvision.com

**Hikvision South Africa**  
Tel: +27 (10) 0351172  
sale.africa@hikvision.com

**Hikvision France**  
T +33(0)1-85-330-450  
info.fr@hikvision.com

**Hikvision Kazakhstan**  
T +7-727-9730667  
nikia.panfilov@hikvision.ru

**Hikvision Vietnam**  
T +84-974270888  
sales.vt@hikvision.com

**Hikvision UAE**  
T +971-4-4432090  
salesme@hikvision.com

**Hikvision Singapore**  
T +65-6684-4718  
sg@hikvision.com

**Hikvision Spain**  
T +34-91-737-16-55  
info.es@hikvision.com

**Hikvision Tashkent**  
T +99-87-1238-9438  
uzb@hikvision.ru

**Hikvision Hong Kong**  
T +852-2151-1761  
info.hk@hikvision.com

**Hikvision Russia**  
T +7-495-669-67-99  
saleru@hikvision.com

**Hikvision Korea**  
T +82-(0)31-731-8817  
sales.korea@hikvision.com

**Hikvision Poland**  
T +48-22-460-01-50  
info.pl@hikvision.com

**Hikvision Indonesia**  
T +62-21-2933759  
Sales.Indonesia@hikvision.com

**Hikvision Colombia**  
sales.colombia@hikvision.com