

## DS-2XS6K01-C36S80 Solar Power Kit



- 80 W photovoltaic panel, 360 WH chargeable lithium battery
- Support battery management, battery display, battery high-low temperature protection, charge-discharge protection, low-battery sleep protection and remote wakeup
- Water and dust resistant (IP66)

## ▪ Specification

| Interface             |  |
|-----------------------|--|
| RS-485                | 1 RS-485 (half duplex, connect to Solar Power 4G Network Camera Kit )  |
| Power Output          | 9 to 12.6 VDC, max. 30 W , 2 × Ø5.5 mm coaxial power plugs   |
| General               |  |
| Dimension             | 640.4 mm × 735.9 mm × 760 mm (25.21" × 28.97" × 29.92") (Max. size after it is completely assembled)                       |
| Package Dimension     | 862 mm × 352 mm × 762 mm (33.9" × 13.9" × 30")   |
| Weight                | Approx. 24 kg (52.9 lb.)   |
| With Package Weight   | Approx. 30.005 kg (66.1 lb.)   |
| Battery               |  |
| Battery Type          | Lithium  |
| Capacity              | 360 WH (90 WH for each battery)  |
| Battery Voltage       | 10.8 V   |
| Operating Temperature | Charging: -20 °C to 45 °C (-4 °F to 113 °F)<br>Discharging: -20 °C to 60 °C (-4 °F to 140 °F)                              |
| Battery Life          | More than 500 cycles   |
| Battery Weight        | Approx. 2.74 kg (6.0 lb.) (0.685 kg (1.5 lb.) for each battery)  |
| Approval              |  |
| EMC                   | CE-EMC (EN 55032:2015+A11:2020+A1:2020,EN 50130-4:2011+A1:2014);<br>RCM (AS/NZS CISPR 32: 2015);<br>IC (ICES-003: Issue 7) |
| Safety                | CB (IEC 62368-1:2014+A11)  |
| Environment           | CE-RoHS (2011/65/EU);<br>WEEE (2012/19/EU);<br>Reach (Regulation (EC) No 1907/2006)  |
| Protection            | Camera: IP66 (IEC 60529-2013)<br>Wind resistance 12 level, up to 40 m/s wind speed resistance                              |

## ▪ Typical Application

Hikvision products are classified into three levels according to their anti-corrosion performance. Refer to the following description to choose for your using environment.

This model has NO SPECIFIC PROTECTION.

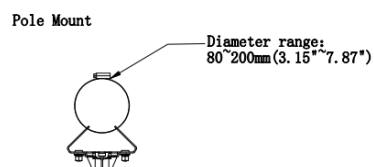
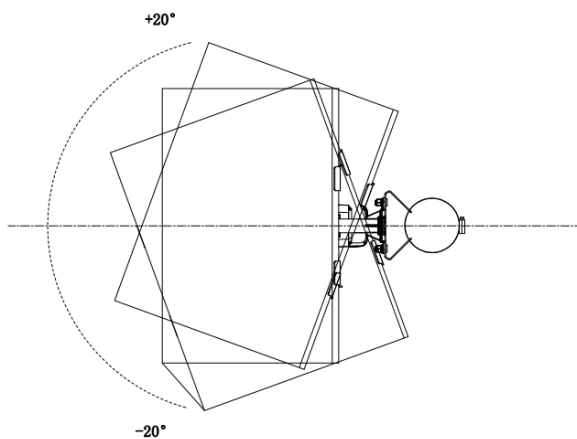
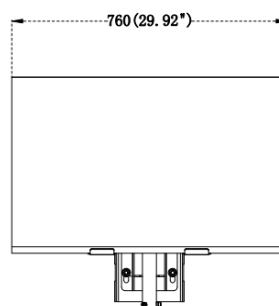
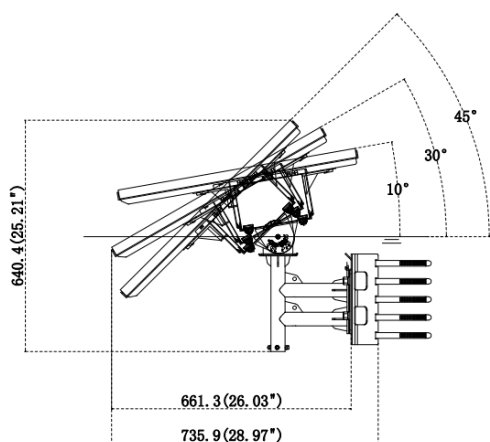
| Level                | Description  |
|----------------------|--|
| Top-level protection | Hikvision products at this level are equipped for use in areas where professional anti-corrosion protection is a must. Typical application scenarios include coastlines, docks, chemical plants, and more. |
| Moderate protection  | Hikvision products at this level are equipped for use in areas with moderate anti-corrosion demands. Typical application scenarios include coastal areas about 2   |

|                        |   |
|------------------------|---|
|                        | kilometers (1.24 miles) away from coastlines, as well as areas affected by acid rain.                                 |
| No specific protection | Hikvision products at this level are equipped for use in areas where no specific anti-corrosion protection is needed. |

▪ **Available Model**

DS-2XS6K01-C36S80

▪ **Dimension**





**Headquarters**

No.555 Qianmo Road, Binjiang District,  
Hangzhou 310051, China  
T +86-571-8807-5998  
www.hikvision.com



Follow us on social media to get the latest product and solution information.

