

DS-D5055UL-B LCD Monitor



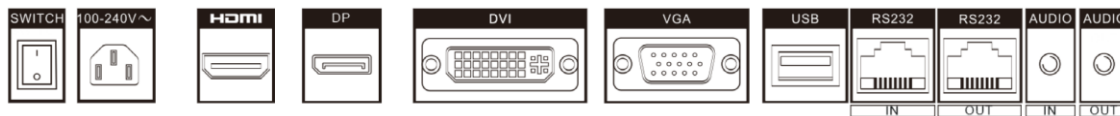
- Industrial grade A+ LCD panel
- Designed for surveillance with high reliability and stability
- Broader view and more abundant details with 4K resolution
- Display perfect picture with 16.7 million color
- Both horizontal and vertical display accessible
- Horizontal 178°, Vertical 178°
- Dedicated project RS-232 interface
- Built-in loudspeaker, audio visual connection
- VESA standard
- Metal shell
- Fine and clear display with the resolution of 3840 × 2160@60 Hz
- 3D digital interleaver and 3D DNR technology
- Programmable 12-bit RGB gamma correction technology
- Sound setting mode accessible
- Lower EMI radiation by spread-spectrum technology through software
- Elegant appearance with the top, left and right bezels equal to each other
- Capture the moment with one-touch; Ensure security with high-temperature alarm
- Updating through USB
- 3.5 mm audio input
- Work continuously by 7 × 24 h
- 2 MACE independent color correction engines for improving the contrast, details, skin color, and edge of images
- Signal input through DP, DVI, HDMI, and VGA interface



▪ Specification

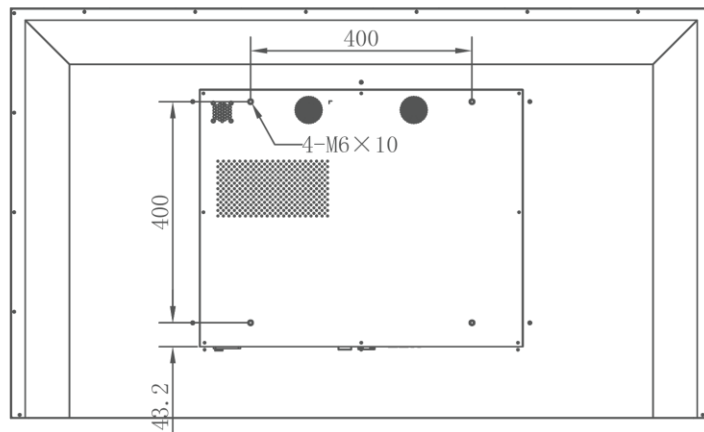
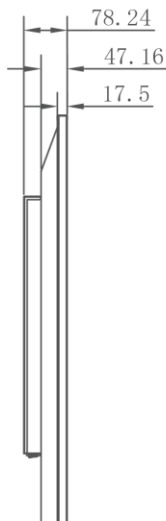
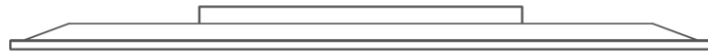
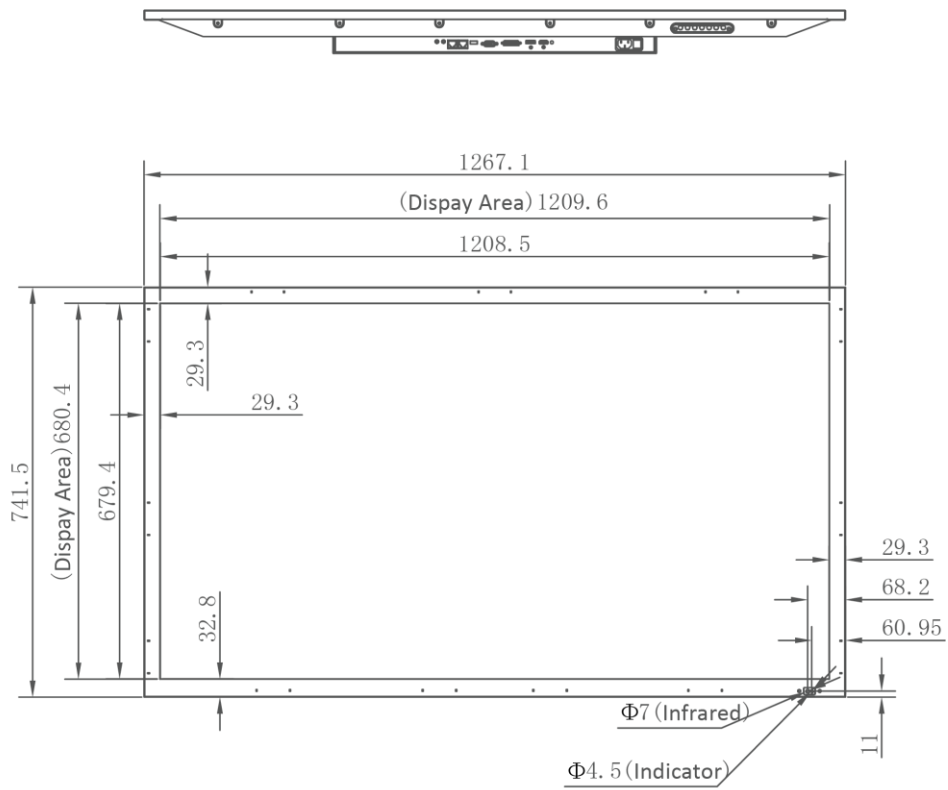
	Model	DS-D5055UL-B
Display	Screen Size	54.64"
	Active Display Area	1209.6 (H) mm × 680.4 (V) mm
	Resolution	3840 × 2160@60 Hz
	Backlight	D-LED
	Pixel Pitch	0.315 (H) mm × 0.315 (V) mm
	Brightness	350 cd/m ²
	Viewing Angle	178° (H) / 178°(V)
	Color Depth	10bit (8 bit + FRC)
	Contrast Ratio	1200: 1
	Response Time	8 ms
	Refresh Rate	60 Hz
	Haze	2 %
	Reliability	7 × 24 H
	Color Gamut	72%
Interface	Video & Audio Input	HDMI × 1, DP × 1, DVI × 1, VGA × 1, AUDIO IN × 1
	Video & Audio Output	AUDIO OUT × 1, Speaker (8Ω 5W) × 2
	Data Transmission Interface	USB × 1
	Control Interface	RS-232 IN × 1, RS-232 OUT × 1
Power	Power Supply	100~240 VAC, 50/60Hz
	Power Consumption	≤ 190W
	Standby Consumption	≤ 0.5 W
Working Environment	Working Temperature	5 °C to 40 °C (41 °F to 104 °F)
	Working Humidity	20% to 80% RH (Non-Condensing)
	Storage Temperature	-10 °C to 60 °C (14 °F to 140 °F)
	Storage Humidity	10% to 80% RH (Non-Condensing)
General	Casing Material	Metal
	VESA	400 mm × 400 mm, 4-M6 × 10 screw holes
	Bezel Width	29.3mm (top/left/right), 32.8mm (bottom)
	Product Dimensions (W × H × D)	1267.1 mm × 741.5 mm × 78.24 mm (49.89" × 29.19" × 3.08")
	Package Dimensions (W × H × D)	1403 mm × 898 mm × 303 mm (55.24" × 35.35" × 11.93")
	Net Weight	28.32 kg (62.43 lb)
	Gross Weight	31.24 kg (68.87 lb)
	Packing List	remote control × 1, power cable × 1, screws × 1 package
Remarks	*The base is not included by default. *The product appearance and parameters in this specification may vary from your actual device. Please consult our local sales staff for further information.	

Physical Interface



Interface	Description	Interface	Description
SWITCH	Power switch	100-240~	Power input interface
HDMI IN	HDMI digital signal input interface	DP IN	DP digital signal input interface
DVI IN	DVI digital signal input interface	VGA IN	VGA digital signal input interface
USB	USB interface	RS232 IN	RS-232 serial input port
RS232 OUT	RS-232 serial output port	AUDIO IN	3.5mm audio input interface
AUDIO OUT	3.5mm audio output interface		

Dimension



▪ Available Model

DS-D5055UL-B

Distributed by

**HIKVISION®****Headquarters**

No.555 Qianmo Road, Binjiang District,
Hangzhou 310051, China
T +86-571-8807-5998
overseasbusiness@hikvision.com

Hikvision USA

T +1-909-895-0400
sales.usa@hikvision.com

Hikvision Australia

T +61-2-8599-4233
salesau@hikvision.com

Hikvision India

T +91-22-28469900
sales@pramahikvision.com

Hikvision Canada

T +1-866-200-6690
sales.canada@hikvision.com

Hikvision Thailand

T +662-275-9949
sales.thailand@hikvision.com

Hikvision Europe

T +31-23-5542770
sales.eu@hikvision.com

Hikvision Italy

T +39-0438-6902
info.it@hikvision.com

Hikvision Brazil

T +55 11 3318-0050
Latam.support@hikvision.com

Hikvision Turkey

T +90 (216)521 7070- 7074
sales.tr@hikvision.com

Hikvision Malaysia

T +601-7652-2413
sales.my@hikvision.com

Hikvision UK & Ireland

T +01628-902140
sales.uk@hikvision.com

Hikvision South Africa

Tel: +27 (10) 0351172
sale.africa@hikvision.com

Hikvision France

T +33(0)1-85-330-450
info.fr@hikvision.com

Hikvision Kazakhstan

T +7-727-9730667
nikia.panfilov@hikvision.ru

Hikvision Vietnam

T +84-974270888
sales.vt@hikvision.com

Hikvision UAE

T +971-4-4432090
salesme@hikvision.com

Hikvision Singapore

T +65-6684-4718
sg@hikvision.com

Hikvision Spain

T +34-91-737-16-55
info.es@hikvision.com

Hikvision Tashkent

T +99-87-1238-9438
uzb@hikvision.ru

Hikvision Hong Kong

T +852-2151-1761
info.hk@hikvision.com

Hikvision Russia

T +7-495-669-67-99
saleru@hikvision.com

Hikvision Korea

T +82-(0)31-731-8817
sales.korea@hikvision.com

Hikvision Poland

T +48-22-460-01-50
info.pl@hikvision.com

Hikvision Indonesia

T +62-21-2933759
Sales.Indonesia@hikvision.com

Hikvision Colombia

sales.colombia@hikvision.com