

Cerberus™ PRO

Zone module, external powered

FDCI723



Zone module, external powered, addressed for detector line C-NET.

- Detector line (collective or conventional 110 series, DS11, SynoLINE300/600)
- LED indicator for detector line status: fault, test, etc.
- Two-wire installation for all cable types
- DC 24 V power supply, external, tested to EN 54-4 (detector lines electrically isolated)
- Microprocessor-controlled signal processing
- Communication via C-NET (addressed individually)
- Can be used in dry, dusty, and humid areas
- Different mounting options

Properties

Eco-friendly

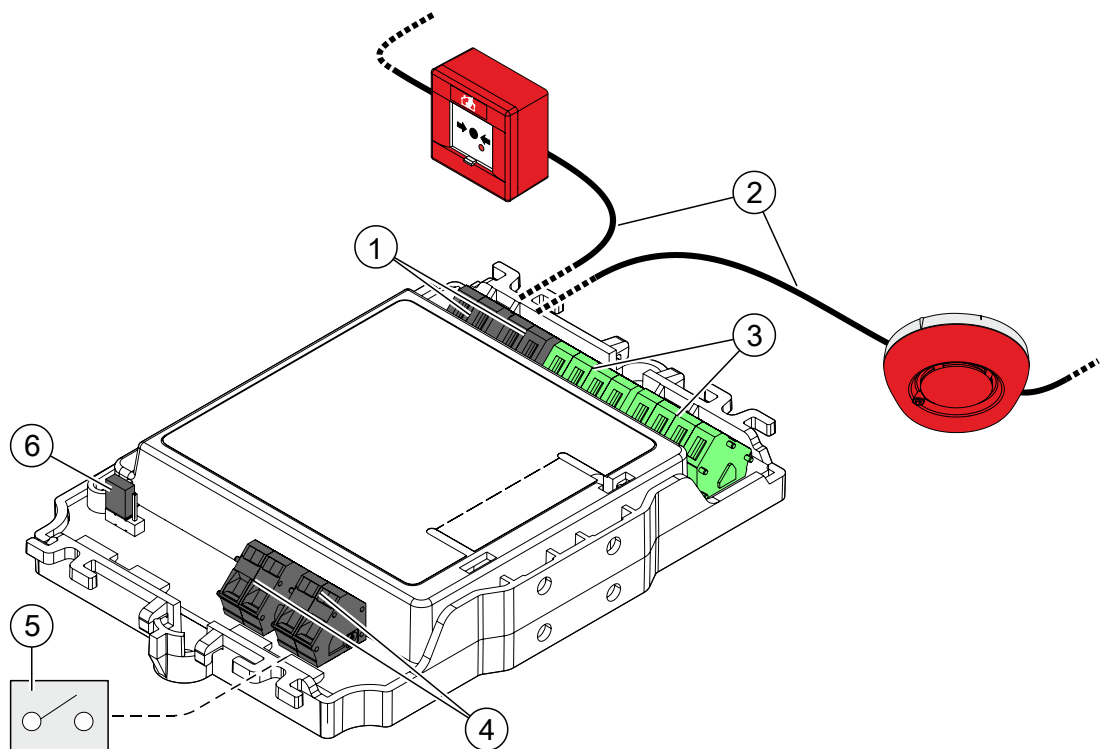
- Environmentally friendly processing
- Reusable materials
- Electronic parts and synthetic materials can be easily separated

Features

- Transparent housing, ensuring that LED indicators are easy to see
- Protected electronics
- Integrated line separator
- Easy mounting using snap fastener
- Can be used in dry areas
- Housing FDCH221 can be used in dusty and humid environments.

Use

For connecting to collective or conventional fire detectors (with safety barrier SB3 for areas at risk of explosion).



- | | | | |
|---|---|---|--|
| 1 | Connections for the C-NET detector line | 4 | Detector line input connections
Max. 32 detectors per line |
| 2 | C-NET detector line | 5 | Contact input |
| 3 | External supply DC 24 V | 6 | Jumper for activation/deactivation of
ground fault monitoring |

!	NOTICE
	<p>Country-specific safety regulations</p> <p>Failure to observe country-specific safety regulations can cause injury to persons and damage to property.</p> <ul style="list-style-type: none"> Observe country-specific regulations and comply with the corresponding safety directives.

Functions

The detector line parameters can be set for:

- Collective detector line 110 series, DS11, SynoLINE600
or
- Conventional detector line SynoLINE300
or
- Collective detector line DS11, Ex with safety barrier SB3

Detector line is monitored for:

- Quiet, alarm, open line, short-circuit, fault, and ground fault

Status display by means of LED.

Type Overview

Type	Designation	Order no.	Weight [kg]
FDCI723	Zone module, external powered	S54322-F6-A1	0.106

Accessories

Type	Designation	Order no.	Weight [kg]
FDCH221	Housing with cover, seal, and screws	S54312-F3-A1	0.282
–	Metal cable gland M20 x 1.5	A5Q00004478	0.036
–	M20 metal counter nut	A5Q00004479	0.006
FDCM291	Mounting foot	A5Q00003855	0.001
DBZ1190-AB	0.5...2.5 mm ² (3-pin) connection terminal	BPZ:4942340001	0.001

Product documentation

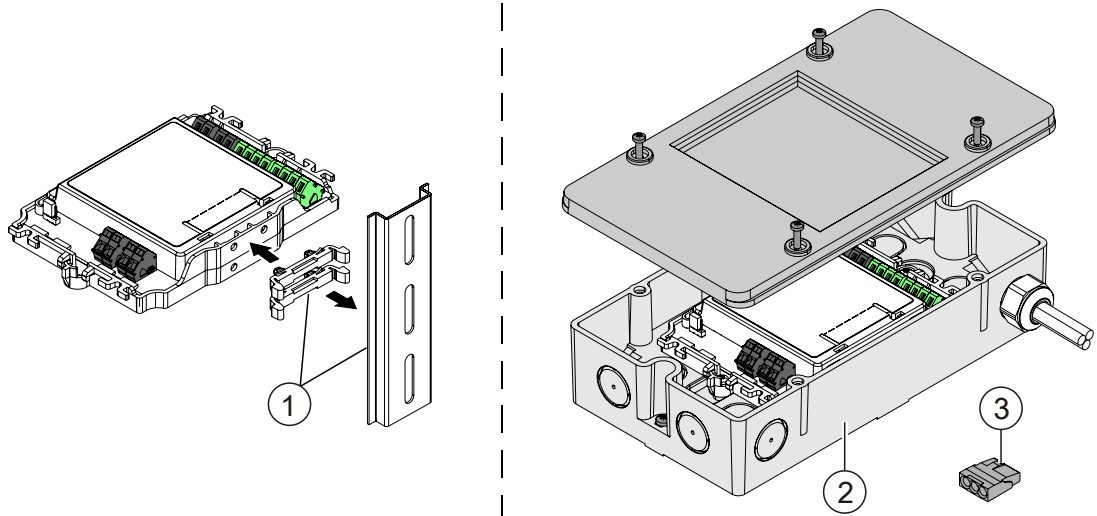
Document ID	Name
A6V10229261	List of compatibility (for 'Cerberus™ PRO' product line)
A6V10414910	Technical manual Zone module, external powered FDCI723
001204	Principles, applications, installation, maintenance Fire alarm signal in areas at risk of explosion

Related documents such as the environmental declarations, CE declarations, etc., can be downloaded from the following Internet address:

<https://siemens.com/bt/download>

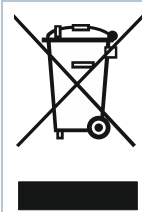
Mounting

- Mounting on U-rail TS35 (series mounting)
- In housing FDCH221 with cover, seal, and screws



- 1 Series mounting using mounting feet supplied, on U-rail TS35
- 2 Mounting in separate housing FDCH221 (accessory)
- 3 Use auxiliary terminals DBZ1190-AB (accessory) for shielded cables

Disposal



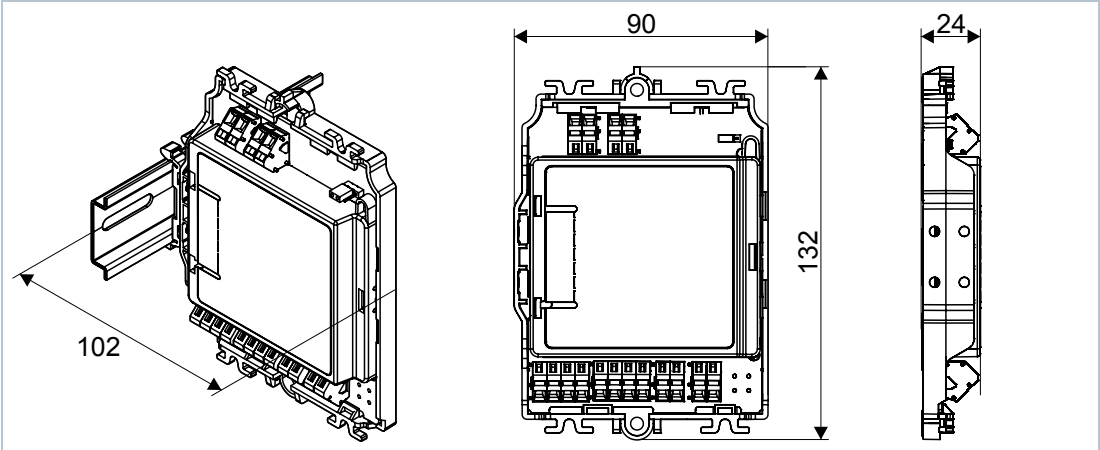
The device is considered an electronic device for disposal in accordance with the European Guidelines and may not be disposed of as domestic garbage.

- Dispose of the device through channels provided for this purpose.
- Comply with all local and currently applicable laws and regulations.

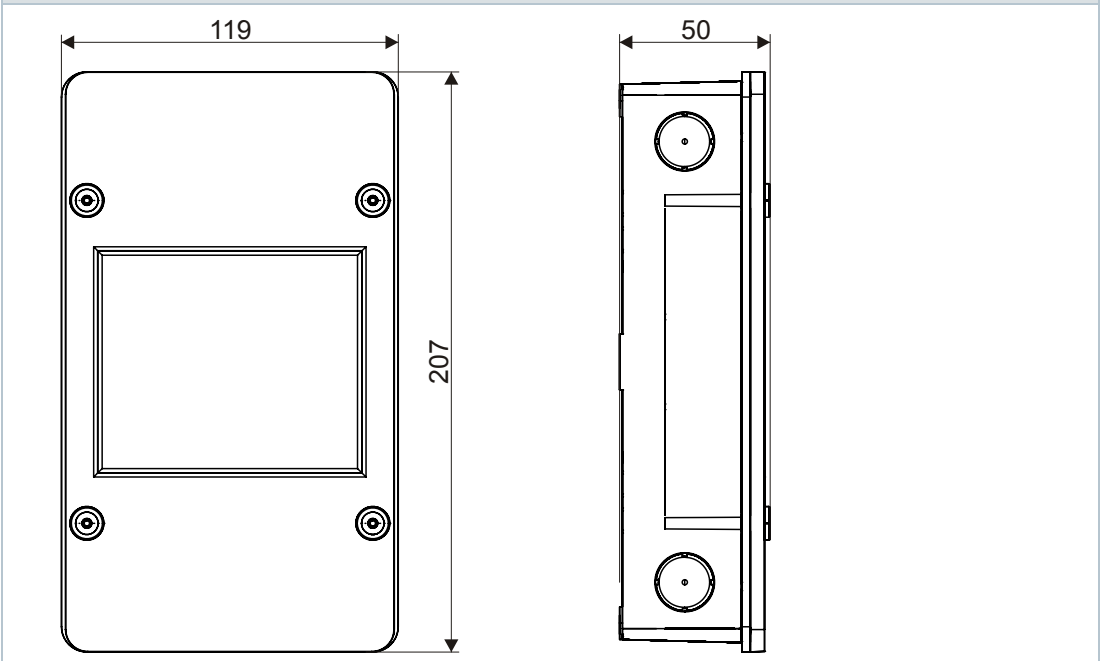
Technical data


	FDCI723
C-NET operating voltage	DC 12...33 V
External power supply <ul style="list-style-type: none"> Operating voltage 	Tested to EN 54-4 DC 18...32 V
Collective detector line <ul style="list-style-type: none"> Collective line code (KLK) End-of-line (EOL) 	32 20 V voltage reference diode or EOL22 (Ex)
Operating temperature	-20...+55 °C
Storage temperature	-30...+70 °C
Air humidity, non-condensing	≤95 % rel.
Communication protocol	C-NET
Pluggable connection terminals	0.2...1.5 mm ²
Color <ul style="list-style-type: none"> Input/output module rack, back box Cover cap, housing cover 	~RAL 9010, pure white Transparent matt
EN 60529 / IEC 60529 protection category <ul style="list-style-type: none"> Without housing With housing FDCH221 	IP30 IP65
Standards	EN 54-17, EN 54-18
Approvals <ul style="list-style-type: none"> VdS LPCB 	G215004 -
Compatibility	See 'List of compatibility'

Zone module, external powered FDCI723



Housing FDCH221



<p>15  0786</p>	<p>FDCI723</p>	<p>Siemens Schweiz AG, Theilerstrasse 1a CH-6300 Zug Technical data: see doc. A6V10414910</p>
<p>FDCI723 - Input/output device incl. short-circuit isolator for use in fire detection and fire alarm systems installed in buildings.</p>		
<p>305/2011/EU (CPR): EN 54-17 / EN 54-18 ; 2014/30/EU (EMC): EN 50130-4 / EN 61000-6-3 ; 2011/65/EU (RoHS): EN 50581</p>		
<p>The declared performance and conformity can be seen in the Declaration of Performance (DoP) and the EU Declaration of Conformity (DoC), which is obtainable via the Customer Support center: Tel. +49 89 9221-8000 or https://siemens.com/bt/download</p>		
<p>DoP No.: 0786-CPR-21423; DoC No.: CED-FDCI723</p>		

Issued by
Siemens Switzerland Ltd
Building Technologies Division
International Headquarters
Theilerstrasse 1a
CH-6300 Zug
Tel. +41 58 724 2424
www.siemens.com/buildingtechnologies

© Siemens Switzerland Ltd, 2015
Technical specifications and availability subject to change without notice.