

Sinteso™/ Cerberus™ PRO

FDM225, FDM226

Manual call points



Manual call points with direct activation for the FDnet/C-NET automatic addressable detector bus

- Manual call points for addressed Sinteso FS20 and Cerberus PRO FS720 fire detection systems
- Direct activation: type 'A' according to EN 54-11
- Communication via the FDnet/C-NET detector line (addressed individually)
- FDM225 for surface and recessed mounting
- FDM226 for surface mounting with protection category IP66
- Either glass insert or resettable plastic insert
- Special FDM225 housing designs available for the French market:
 - FDM225-RG (F) with glass insert
 - FDM225-RP (F) with plastic insert
- Two-wire installation for all cable types

Features

- Integrated line separator: The defective part on the detector line is located by the fire control panel and isolated between two FDnet/C-NET devices.
- Built-in alarm indicator (LED)
- Address automatically issued during commissioning
- Protected electronics
- Connection terminal DBZ1190-AB (accessory) can be mounted if shielded cables are used

Eco-friendly

- Environmentally friendly processing
- Reusable materials
- Electronic parts and synthetic materials can be easily separated

Use

- For the immediate manual activation of a fire alarm
- FDM225-xx: Suitable for indoor applications
- FDM226-xx: Suitable for indoor and outdoor applications

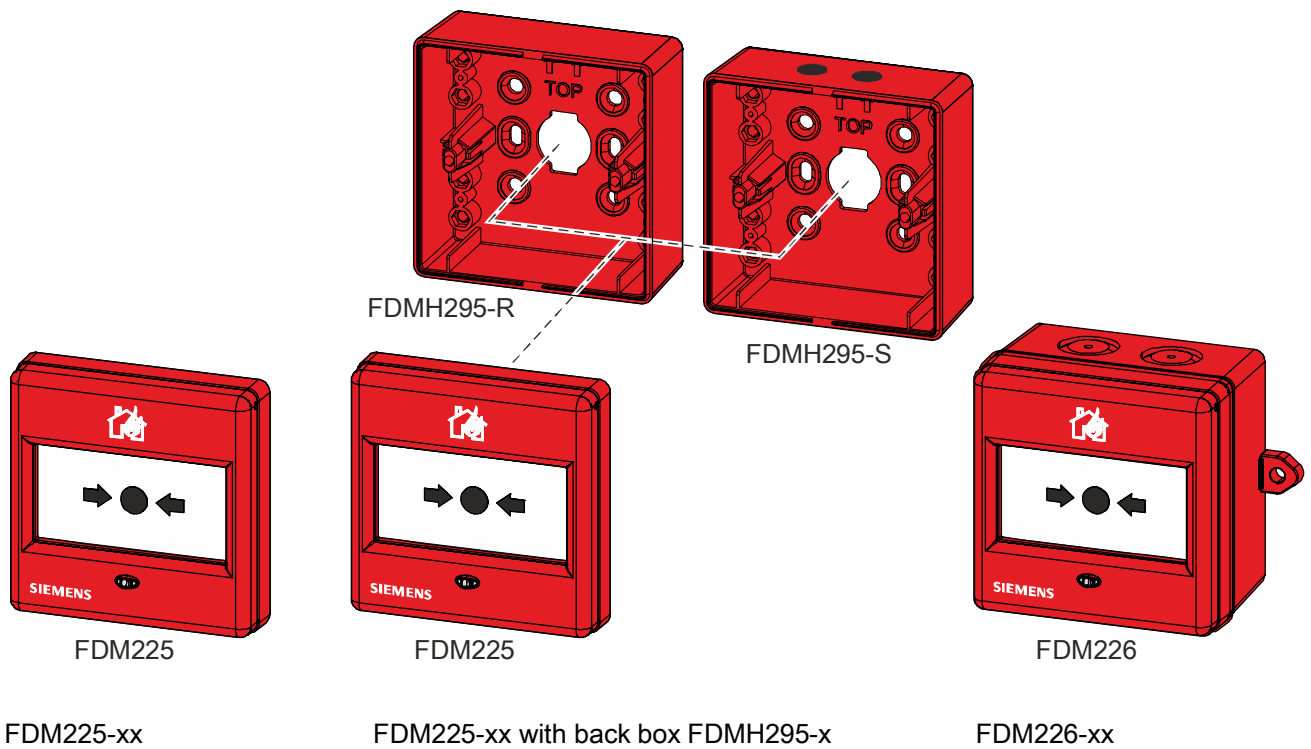
Types of mounting

The manual call points are suitable for surface and recessed mounting (FDM225-xx) or for surface mounting (FDM226-xx) in easily accessible locations.

Device / Accessory	Recessed mounting	Surface mounting
FDM225-RG with glass insert	X	X
FDM225-RP with resettable plastic insert		
FDMH295-R back box	–	X
FDMH295-S back box with holes and grommets		
FDM226-RG	–	X
FDM226-RP		

X = device/accessory required for this type of mounting

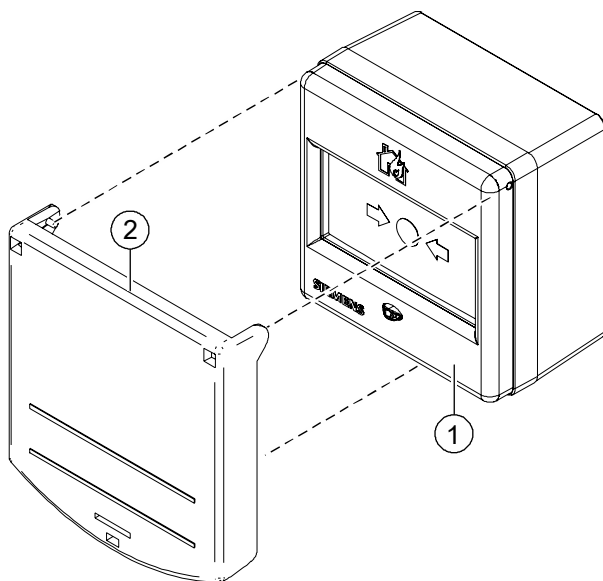
– = not required for this type of mounting



- If you use back box FDMH295-R with the FDM225-xx, a hole with $\varnothing \leq 20$ mm must be drilled in the back box for the surface-mounted cable entry. Use metal cable gland M20 x 1.5 with metal counter nut M20 x 1.5 (accessories).
- The manual call point FDM226-xx has two break-out openings on the top and two on the bottom of the housing for cable entry purposes.
- If protection category IP66 is to be achieved with the FDM226-xx, the lateral fastening tabs must be used to mount the back box. Cable entry must be effected using metal cable gland M20 x 1.5 and metal counter nut M20 x 1.5 (accessories).

Function of manual call points FDM225-RG and FDM226-RG

- Direct alarm activation by pushing in the glass insert
- Manual call point reset by replacing the glass insert
- Protective cover FDMC295 (accessory) protects the manual call point against the glass being broken and the alarm activated accidentally



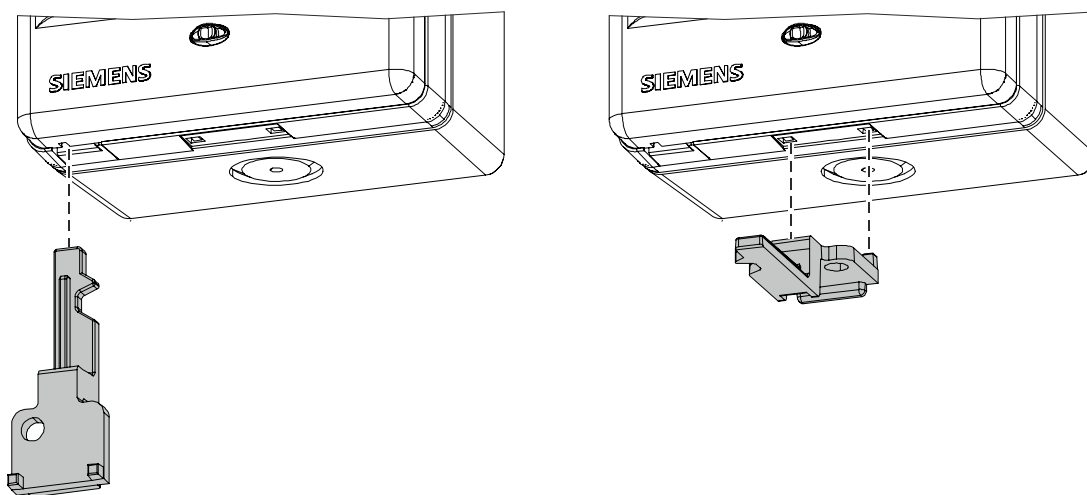
Installing the protective cover FDMC295

1 Manual call point FDM225

2 Protective cover FDMC295

Function of manual call points FDM225-RP and FDM226-RP

- Direct alarm activation by pressing the plastic insert
- Manual call point reset with key FDMK295
- Protective cover FDMC295 (accessory) protects the manual call point against the alarm being activated accidentally



Using key FDMK295 to reset the manual call point (left) and open the housing (right)

Type Overview

Type	Designation	Order no.	Weight [kg]
FDM225-RG	Manual call point with glass insert	A5Q00013434	0.102
FDM225-RP	Manual call point with plastic element	A5Q00012020	0.100
FDM225-RG (F)	Manual call point with glass insert for France	A5Q00020274	0.102
FDM225-RP (F)	Manual call point with plastic insert for France	A5Q00020273	0.100
FDM226-RG	Manual call point with glass insert including back box	A5Q00013435	0.196
FDM226-RP	Manual call point with plastic element including back box	A5Q00013436	0.208
FDMH295-R	Back box	A5Q00013437	0.061
FDMH295-S	Back box with holes and grommets	A5Q00013438	0.061
–	Metal cable gland M20 x 1.5	A5Q00004478	0.036
–	M20 x 1.5 metal counter nut	A5Q00004479	0.006
DBZ1190-AB	2.5 mm ² , 3-pin connection terminal	BPZ:4942340001	0.001
Accessories			
FDMC295	Protective cover	A5Q00013440	0.036
Replacement material			
FDMK295	Key	A5Q00013448	0.001
FDMG295	Glass insert 'Neutral'	A5Q00013442	0.012
FDMP295	Plastic insert 'Neutral'	A5Q00013445	0.008
FDMG295-F	Glass insert France	A5Q00013443	0.012
FDMP295-F	Plastic insert France	A5Q00013446	0.008

Product documentation

Document ID	Title
008164	Equipment overview Sinteso™ Detector system FD20
009757	Technical manual Manual call points FDM221, FDM225, FDM226
008331	List of compatibility (for 'Sinteso™' product line)
A6V10229261	List of compatibility (for 'Cerberus™ PRO' product line)

Related documents such as the environmental declarations, CE declarations, etc., can be downloaded from the following Internet address:

<https://siemens.com/bt/download>

Disposal



The device is considered an electronic device for disposal in accordance with the European Guidelines and may not be disposed of as domestic garbage.

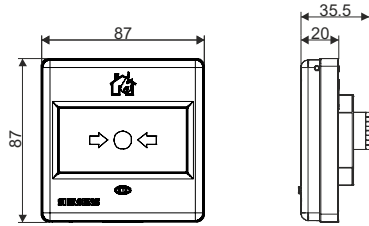
- Dispose of the device through channels provided for this purpose.
- Comply with all local and currently applicable laws and regulations.

Technical data

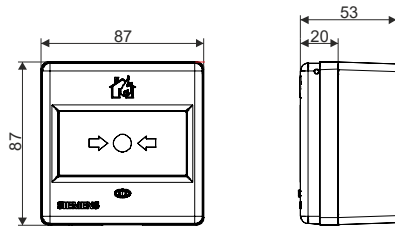
FDnet/C-NET operating voltage	DC 12...33 V			
Operating current (quiescent)	180 µA			
Operating temperature	-25...+70°C			
Storage temperature	-30...+75°C			
Air humidity	≤95 % rel.			
Communication protocol	FDnet/C-NET			
Connection terminals	0.28... 1.5 mm ²			
Color	~RAL 3000, flame red			
Design according to EN 54-11	Direct activation 'type A'			
Environmental category according to EN 54-11:	<ul style="list-style-type: none"> • FDM225-xx: In buildings • FDM226-xx: In buildings and outdoor areas 			
Color	~RAL 3000, flame red			
Protection category (IEC 60529):	<ul style="list-style-type: none"> • FDM225-xx: IP44 • FDM226-xx: IP66 			
Approvals:	FDM225-RP FDM225-RP (F)	FDM225-RG FDM225-RG (F)	FDM226-RP	FDM226-RG
• VdS	G207092	G207092	G209194	G209194
• LPCB	126ap/01 126ap/10	126ap/02 126ap/11	126ap/03	126ap/04
• DNV GL (marine)	-	-	MEDB00003UM	-
System compatibility:	<ul style="list-style-type: none"> • FDnet: FS20, AlgoRex, SIGMASYS • C-NET: FS720 			

Dimensional drawings

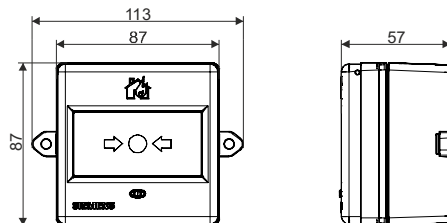
Manual call point FDM225-xx (recessed mounting)



Manual call point FDM225-xx with back box FDMH295-x (surface mounting)



Manual call point FDM226-xx



When mounting protective cover FDMC295 on manual call points, the depth dimension increases by 7 mm accordingly.

08		2831	FDM225-RG/FDM225-RP/FDM225-RG (F)/FDM225-RP (F)	Siemens Schweiz AG; Theilerstrasse 1a CH-6300 Zug Technical data: see doc. 009757
FDM225 - Manual callpoint incl. short-circuit isolator for use in fire detection and fire alarm systems installed in buildings.				
305/2011/EU (CPR): EN 54-11 / EN 54-17 ; 2014/30/EU (EMC): EN 50130-4 / EN 61000-6-3 ; 2011/65/EU (RoHS): EN 50581				
The declared performance and conformity can be seen in the Declaration of Performance (DoP) and the EU Declaration of Conformity (DoC), which is obtainable via the Customer Support Center. Tel. +49 89 9221-8000 or https://siemens.com/bt/download				
DoP No.: DOP190206; DoC No.: CED-FDM225				
08		2831	FDM226-RG / FDM226-RP	Siemens Schweiz AG; Theilerstrasse 1a CH-6300 Zug Technical data: see doc. 009757
FDM226 - Manual callpoint incl. short-circuit isolator for use in fire detection and fire alarm systems installed in buildings.				
305/2011/EU (CPR): EN 54-11 / EN 54-17 ; 2014/30/EU (EMC): EN 50130-4 / EN 61000-6-3 ; 2011/65/EU (RoHS): EN 50581				
The declared performance and conformity can be seen in the Declaration of Performance (DoP) and the EU Declaration of Conformity (DoC), which is obtainable via the Customer Support Center. Tel. +49 89 9221-8000 or https://siemens.com/bt/download				
DoP No.: DOP190207; DoC No.: CED-FDM226				