

THUNDER Pro TQ50 Thermal Scope



HIKMICRO THUNDER Pro TQ50 Thermal Scope has 640 × 512 thermal detector and 1024 × 768 OLED monitor, which provides clear image under harsh environment conditions like darkness, fog, smoke, dust, rain, snow, wood, camouflage, etc. The device is used as a handheld monocular, or thermal image scope. The scope is mainly applied to scenarios such as patrolling, and hunting, etc.

Key Features

- 640 × 512 thermal resolution, high sensitivity detector, NETD < 35 mK (25 °C, F#=1.0)
- Image processing technology: Adaptive AGC, DDE, 3D DNR
- 1024 × 768 resolution 0.39-inch OLED display
- Supports distance measurement, and hotspot function
- Supports video recording and snapshot, built-in EMMC (16 GB)
- Supports digital zoom and cursor function, palettes of color adjustable
- Up to 4 hours continuous working

Specification

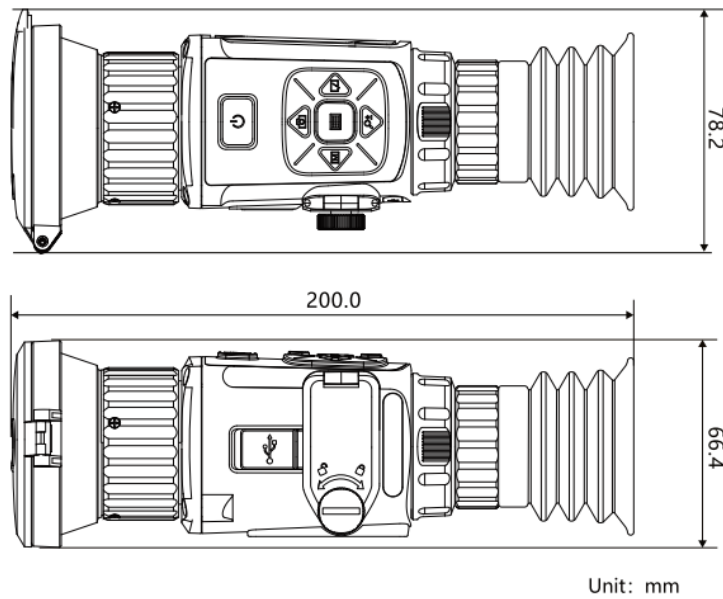
Thermal Module	
Image Sensor	Uncooled Focal Plane Arrays
Pixel Interval	12 μm
Max. Resolution	640 \times 512
Response Waveband	8 μm to 14 μm
NETD	< 35 mK (25°C, F# = 1.0)
Lens (Focal Length)	50 mm
IFOV	0.24 mrad
Field of View	8.8° \times 7.0°
F Number	F1.0
Frame Rate	50 Hz
Magnification	2.6x
Image Display	
Monitor	0.39-inch, OLED, 1024 \times 768
Palettes	Black hot, white hot, red hot, fusion
Exit Pupil	6 mm
Eye Relief	45 mm
Diopter Range	-5 D to 3 D
Observation Distance	2600 m
Contrast Adjustment	Yes
Brightness Adjustment	Yes
System	
Digital Zoom	1x, 2x, 4x, 8x
Reticle	3 Colors, 5 Types
Hotspot	Yes
Distance Measurement	Yes
Scene Mode	Jungle, Recognition
Standby mode	Yes
Video Recording	Yes
Picture Snapshot	Yes
DPC	Yes
PIP	Yes
Uniformity Correction	Auto, Manual, External Correction
Storage	Built-in EMMC (16 GB)
Power Supply	
Battery	Replaceable Applicable type: CR123A, RCR123A
Battery Operating Time	3.6 h (25°C, with CVBS and Wi-Fi off) 3 h (25°C, with CVBS and Wi-Fi on)

Anti-reverse battery connection	Yes
Overvoltage Protection	Yes
Battery Capacity Display	Yes
Type-C Power Supply	5 VDC, 2 A Supports external power supply
General	
Port	Type-C
Working Temperature	-20°C to 55°C (-4°F to 131°F)
Protection Level	IP67
Vibration & Shock	750 g/1 ms
Dimension (L × W × H)	200 mm × 78.2 mm × 66.4 mm (7.87" × 3.08" × 2.61")
Weight	< 0.487 kg (1.07 lb) without eyepiece and batteries

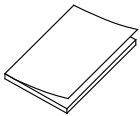
Available Model

HM-TR16-50XG/W-TQ50

Dimension



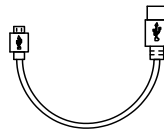
Accessory



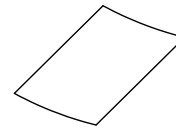
Quick Start Guide (x1)



Battery CR123A (x2)



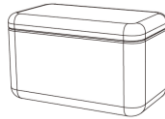
Type-C Cable (x1)



Dust-free Cloth (x1)

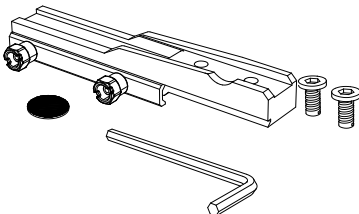


Tightening Plate (x1)



Bag (x1)

Optional



Rail System

Rail (x1)

Tightening Plate (x1)

Screws (x2)

Wrench (x1)

COMPLIANCE NOTICE: The thermal series products might be subject to export controls in various countries or regions, including without limitation, the United States, European Union, United Kingdom and/or other member countries of the Wassenaar Arrangement. Please consult your professional legal or compliance expert or local government authorities for any necessary export license requirements if you intend to transfer, export, re-export the thermal series products between different countries.

