

IR261

Passive Infrared Detector for ceiling mounting

VANDERBILT



Key Features include:

- Room surveillance with a detection field of 360°
- Protection against overvoltage pulses on supply and signal lines
- Perfect protection against insects and draughts
- High immunity to electric and electromagnetic interference
- Easy and fast installation
- Four levels of coverage adjustment
- Four levels of sensitivity adjustment
- Silent operation

IR261

Passive Infrared Detector for ceiling mounting

VANDERBILT

Description

Ceiling-mounted passive infrared detector offers a detection coverage of 360°

Ideal for covering large size rooms

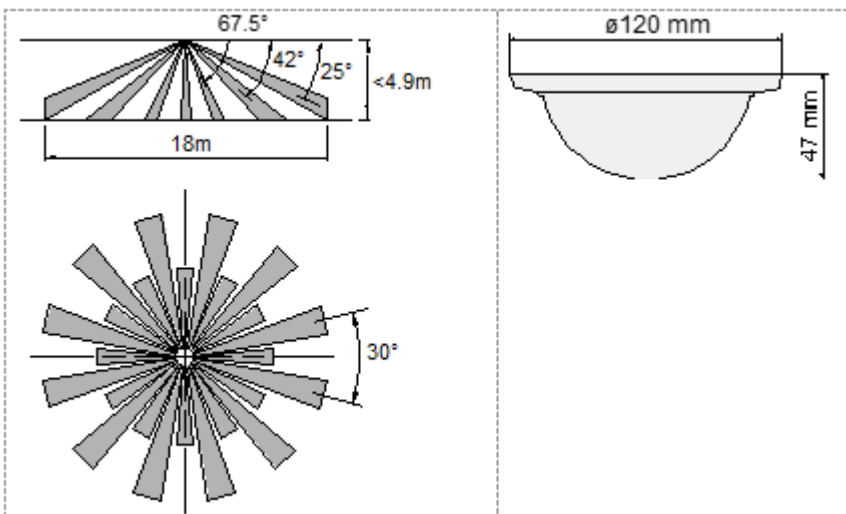
Fast installation, appealing design and reliability of detection in combination with 360° monitoring zones make the IR261 the ideal detector for monitoring large size rooms such as open-plan offices and shop areas with flexible fittings, and also corridor crossings and warehouses.

Safe and easy installation

The split detector housing serves to facilitate mounting: the detector base is mounted to a stable surface and is connected via the terminals, then the detector top section with optics and electronics is fitted onto the detector base and pushed until release lever will click. The entire detector can be rotated ± 25 degrees via the detector base. In the detector base, adequate space for wire loops has been provided.

Reliable detection

Fresnel optics with a pyro sensor and 33 curtain-like detection zones provide a reliable detection.



Mounting Height (M)	Coverage Diameter (M)			
	120 %	100 %*	80 %	60 %
2.0	8.4	7.0	5.6	4.2
2.6	10.6	8.8	7.0	5.3
3.0	12.0	10.0	8.0	6.0
4.0	16.8	14.0	11.2	8.4
4.9	18.2	15.2	12.2	9.1

* Default/Factory Setting.

VANDERBILT

IR261

Passive Infrared Detector for ceiling mounting

VANDERBILT

■ Technical Specifications

Supply voltage (nom. 12 V)	10.5 ... 18 VDC
- Max. ripple (0 ... 100 Hz)	2 V _{PP}
Current consumption (at 12 VDC)	
- Quiescent	< 25 mA
- Maximum when alarm occurs (with LED)	< 35 mA
Alarm output (silent, electronic relay)	
- Contact rating	max 30 VDC / 250 mA
- Serial resistance	3.3 Ω
- Alarm hold time	~ 2 s
Adjustments	
- Alarm LED	On / Off
- Alarm relay	Auto – reset / off
- Alarm contact	N/O, N/C
- Coverage	4 levels 60 ... 120%
- Sensitivity	4 levels (1/2/3/4) triggers before alarm
Indications	
- Yellow (memory) LED	Flashing = memory activated / Constant = memory indication
- Red (alarm) LED	Flashing = warm up / Constant = alarm
Ambient conditions	
- Operating temperature	-15 ... +55 °C
- Storage temperature	-15 ... +55 °C
- Humidity (EN60721)	≤ 95% RH, non-condensing
- Housing protection (EN60529)	IP41
- EMI rejection (< 1 GHz)	10 V/m
Dimensions (Ø x H)	120 x 47 mm

■ Ordering Information

Type	Art.-No.	Description	Weight
IR261	VBPZ:5667770001	PIR motion detector for ceiling mounting	130g