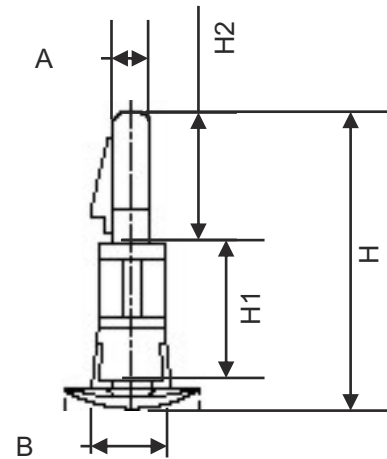


CODE: **MM051** v.1.0/1  
 NAME: **Mounting pin Ø4 – RLCBSR-6-01**

EN



#### TECHNICAL DATA

**Installation:**

- into plate hole 3,2 mm
- into metal sheet hole 4,8 mm
- material thickness 0,7-1,6 mm

**Material:** nylon 66

**Colour:** natural

**Dimensions:** H/H1/H2/A/B [mm. +/-0,2]  
 - 21,0 / 7,9 / 8,7 / 3,1 / 4,6