

# MV-ID6120PM-00C-NNG

## 12 MP Smart Code Reader



### Introduction

With built-in code reading algorithm, MV-ID6120PM-00C-NNG smart code reader can read different types of 1D codes and 2D codes with reading speed up to 84 codes/sec. It adopts deep learning algorithm to process images with good robustness, and can recognize various poor printing quality codes.

### Available Model

MV-ID6120PM-00C-NNG

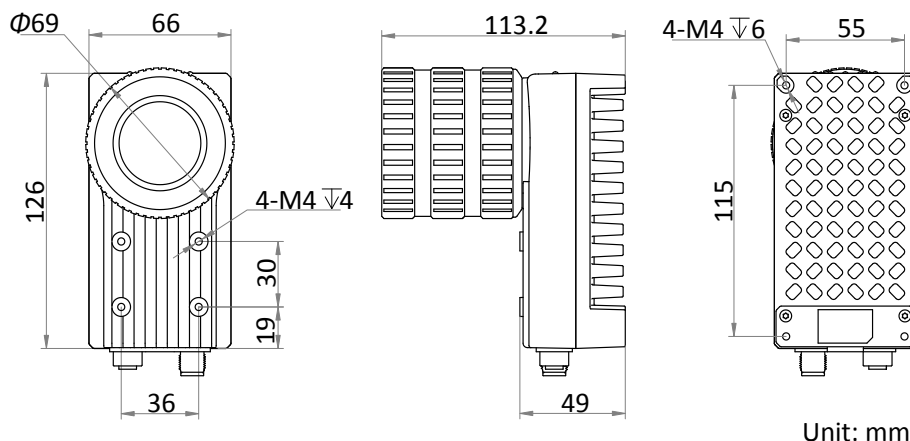
### Applicable Industry

Express delivery and logistics, airport, e-commerce warehouse, etc.

### Key Feature

- Adopts 12 MP sensor to provide high-quality images.
- Flexible installation and convenient debugging.
- Supports continuous reading of various codes without stopping.
- Supports recognizing various poor printing quality codes.
- Supports networking of multiple devices.
- Ingress protection 67.

### Dimension



## Specification

<b>Model</b>	<b>MV-ID6120PM-00C-NNG</b>
<b>Performance</b>	
<b>Symbologies</b>	1D codes: Code 39, Code 128, Code 93, ITF 14, ITF 25, CodaBar, EAN 8, EAN 13, UPCA, UPCE
	2D codes: QR Code, Data Matrix
<b>Max. frame rate</b>	28 fps
<b>Max. reading speed</b>	84 codes/sec
<b>Sensor type</b>	CMOS, global shutter
<b>Pixel size</b>	3.2 $\mu\text{m}$ $\times$ 3.2 $\mu\text{m}$
<b>Sensor size</b>	1"
<b>Resolution</b>	4096 $\times$ 3072
<b>Exposure time</b>	16 $\mu\text{s}$ to 1 sec
<b>Gain</b>	0 dB to 40 dB
<b>Mono/color</b>	Mono
<b>Communication protocol</b>	SmartSDK, TCP Client, TCP Server, Serial, FTP
<b>Electrical feature</b>	
<b>Data interface</b>	Gigabit Ethernet
<b>Digital I/O</b>	12-pin M12 connector provides power and I/O, including opto-isolated input (LineIn 0/1/2) $\times$ 3, opto-isolated output (LineOut 3/4/5) $\times$ 3, and RS-232 $\times$ 1
<b>Power supply</b>	12 VDC to 24 VDC
<b>Max. power consumption</b>	12 W@24 VDC
<b>Mechanical</b>	
<b>Lens mount</b>	C-mount
<b>Light source</b>	Not included
<b>Lens cap</b>	Included
<b>Dimension</b>	126 mm $\times$ 66 mm $\times$ 113.2 mm (5.0" $\times$ 2.6" $\times$ 4.5")
<b>Weight</b>	Approx. 750 g (1.7 lb.)
<b>Ingress protection</b>	IP67 ( under proper installation of waterproof lens cap)
<b>Temperature</b>	Working temperature: 0 $^{\circ}\text{C}$ to 50 $^{\circ}\text{C}$ (32 $^{\circ}\text{F}$ to 122 $^{\circ}\text{F}$ ) Storage temperature: -30 $^{\circ}\text{C}$ to 70 $^{\circ}\text{C}$ (-22 $^{\circ}\text{F}$ to 158 $^{\circ}\text{F}$ )
<b>Humidity</b>	20% to 95% RH, without condensation
<b>General</b>	
<b>Client software</b>	IDMVS
<b>Certification</b>	CE, RoHS