

MVL-HF0828M-6MPE 1/1.8" 8mm 6MP FA LENS

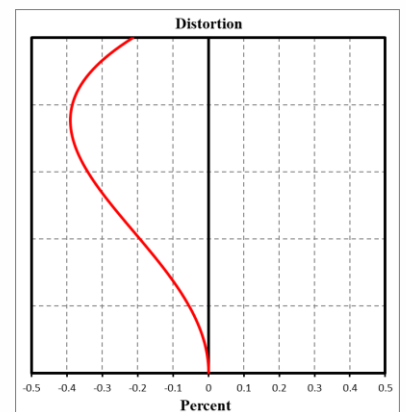
HF-E series FA Lens are optimized for machine vision light sources and sensor, with high resolution, excellent image quality, high transmittance and good stability. Featured with fixed focal length, manual aperture and compact size, it is suitable for machine vision industry applications and ideal for industrial cameras.



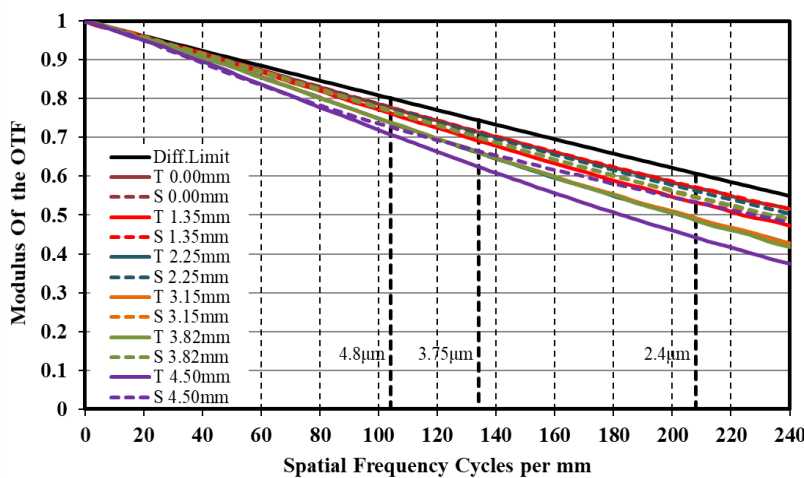
Key Features

- Higher image clarity and contrast ratio
- Ultra-low distortion and higher relative illumination rate
- Good optical performance at ultra-short working distance
- Compact design, convenient for device integration

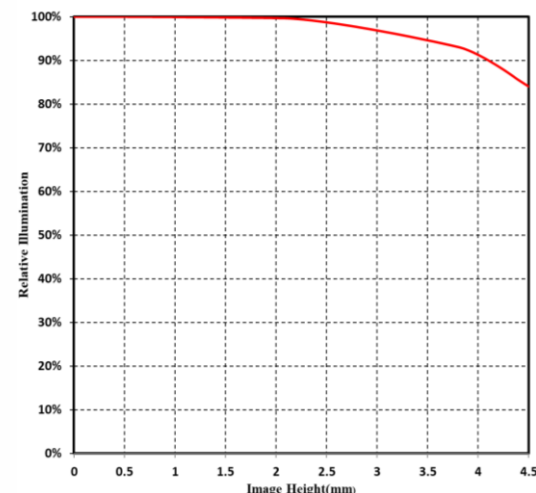
Distortion



MTF



Relative Illumination



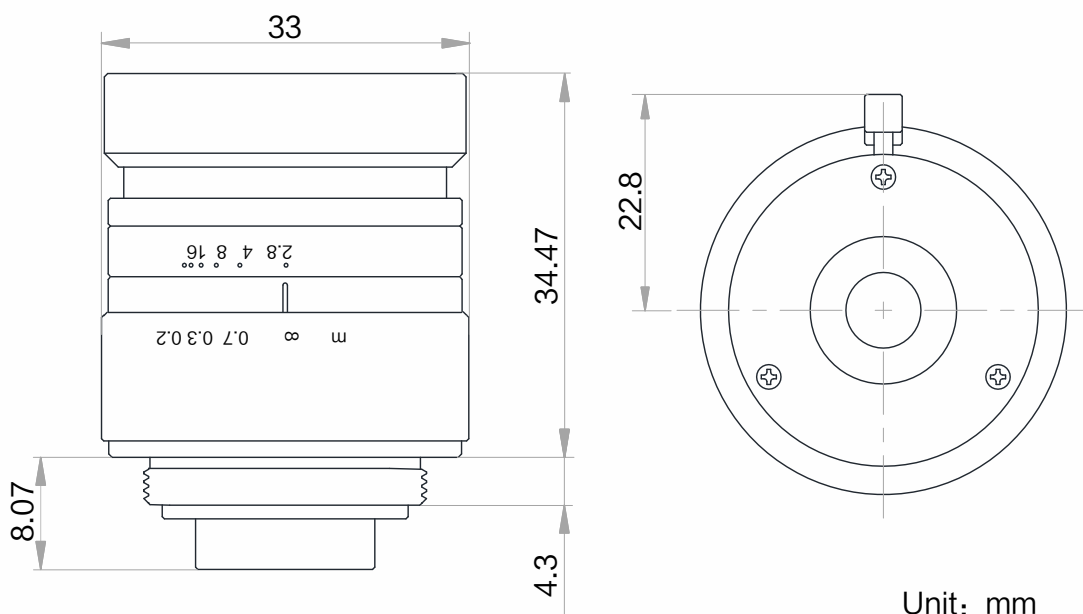
Note: The above curves are the simulate results based on F2.8, $\beta=-0.026$, WD=300 mm.



Specification

Model	MVL-HF0828M-6MPE
Parameter	Fixed focal length, Manual iris, 6MP, FA Lens
Performance	
Focal Length	8 mm
F-Number	F2.8 ~ F16
Image Size	Φ9 mm(1/1.8")
Distortion	0.049%
Minimum Operation Distance	0.1 m
Field of View	D (8.96mm): 58.50° H (7.38mm): 49.46° V (4.92mm): 34.19°
Mechanical	
Iris Control	Manual
Focus Control	Manual
Filter Thread	M30.5×P0.5
Mount	C-Mount
Flange Back Length	17.526 mm
Dimension	Φ33×34.5 mm
Weight	63.3 g
Temperature	-10 ~ 50 °C
General	
Certification	RoHS2.0

Dimension



Unit: mm

Field of View

Extension(mm)	Working Distance(mm)		Magnification	Field of View(mm)			
				1/1.8"		1/2"	
				H(7.38mm)	V(9.42mm)	H(6.22mm)	V(4.67mm)
1	near	27.54	-0.195	39.22	25.67	32.74	24.33
	far	52.6	-0.123	61.57	40.56	51.58	38.46
0		100	-0.071	104.96	69.56	88.21	65.98
		150	-0.050	149.83	99.54	126.10	94.45
		200	-0.038	194.66	129.50	163.95	122.88
		250	-0.031	239.47	159.45	201.79	151.31
		300	-0.026	284.27	189.40	239.61	179.74
		350	-0.023	329.07	219.34	277.44	208.16
		400	-0.020	373.86	249.28	315.26	236.58
		450	-0.018	418.64	279.22	353.08	265.00
		500	-0.016	463.43	309.16	390.90	293.42
		550	-0.015	508.21	339.09	428.71	321.83
		600	-0.013	552.99	369.03	466.53	350.25
		650	-0.012	597.77	398.97	504.34	378.67
		700	-0.012	642.56	428.90	542.16	407.08
		800	-0.010	732.12	488.77	617.79	463.91
		900	-0.009	821.67	548.64	693.42	520.74
	1000	-0.008	911.23	608.51	769.04	577.57	

HIKROBOT

Hangzhou Hikrobot Co., Ltd.
en.hikrobotics.com

© Hangzhou Hikrobot Co., Ltd. All Rights Reserved.

Hangzhou Hikrobot does not tolerate any infringement. Any organization or individual may not imitate or reproduce in whole or in part of the content. The data herein is based on Hikrobot's internal evaluation. Actual data may vary depending on specific configuration and operating condition. The information herein is subject to change without notice. All the content has been checked conscientiously. Nevertheless, Hikrobot shall not be liable to damages resulting from errors, inconsistencies or omissions.