

## MVL-KF0618M-12MPE 1.1" 6mm 12MP FA LENS

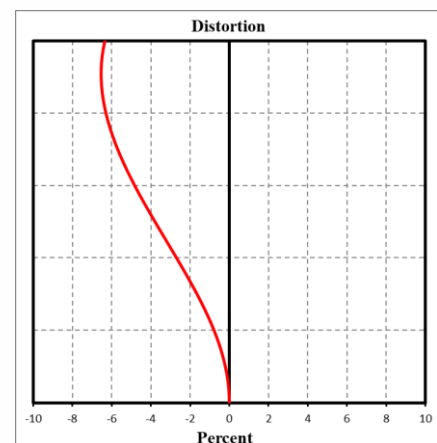
KF-E series FA Lens are optimized for machine vision light sources and sensor, with high resolution, excellent image quality, high transmittance and good stability. Featured with fixed focal length, manual aperture and compact size, it is suitable for machine vision industry applications and ideal for industrial cameras.



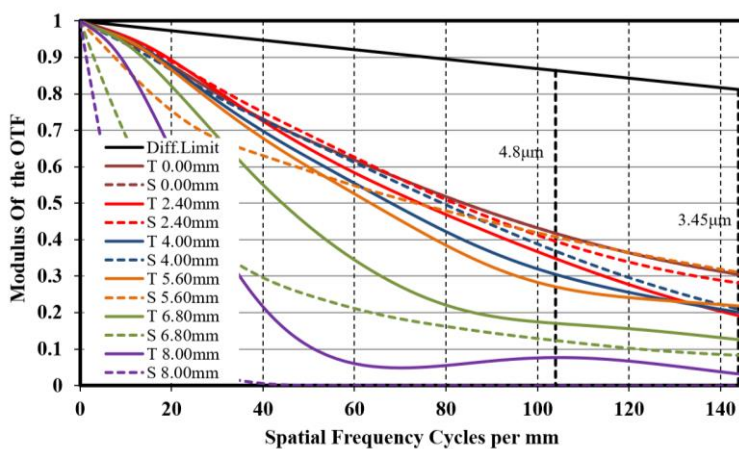
### Key Features

- Ultra high resolution and consistency of image clarity
- Lower distortion
- Super high image peripheral brightness ratio
- Excellent optical properties are maintained at different object distances

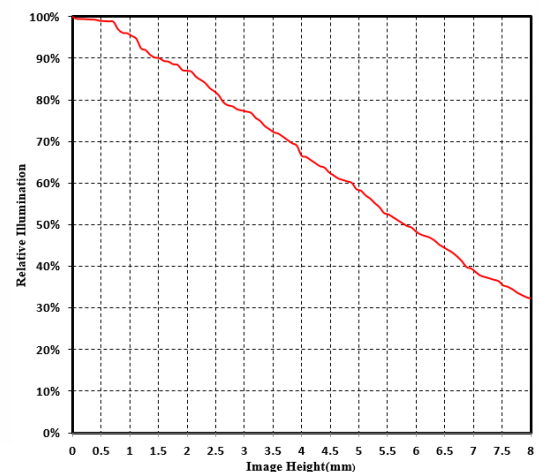
### Distortion



### MTF



### Relative Illumination



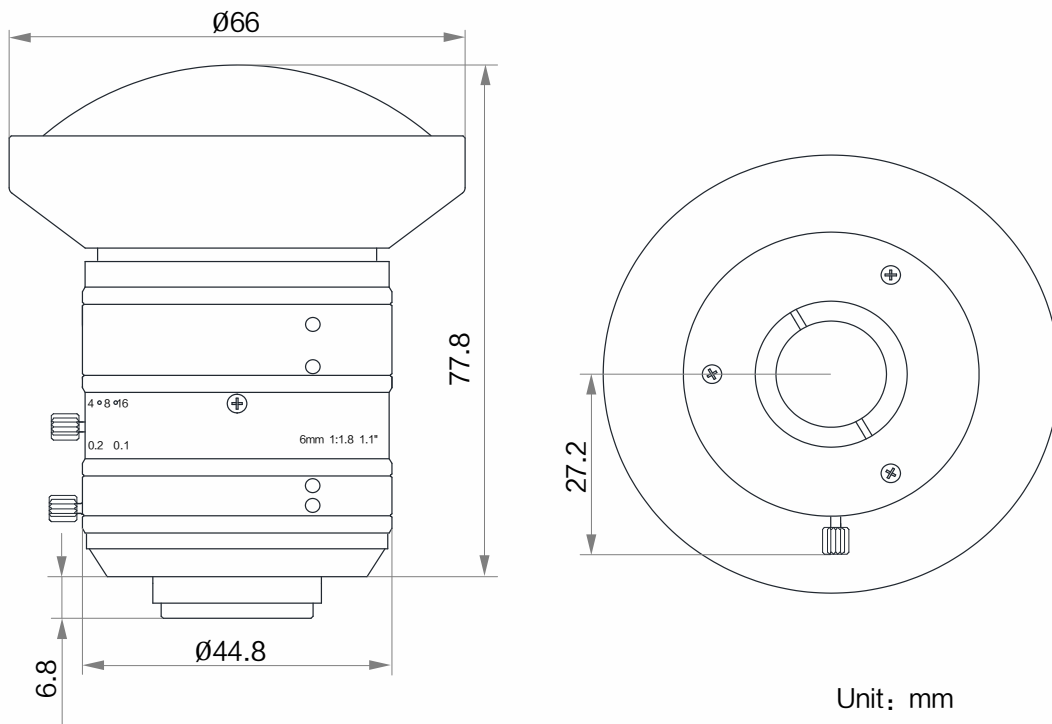
Note: The above curves are the simulate results based on F1.8,  $\beta=-0.012$ , WD=500 mm.



## Specification

	Model	MVL-KF0618M-12MPE
Parameter		Fixed focal length, Manual iris, 12MP, FA lens
<b>Performance</b>		
Focal Length		6 mm
F-Number		F1.8 ~ F16
Image Size		Φ17.6 mm(1.1")
Distortion		2.5%
Minimum Operation Distance		0.1 m
Field of View		D (17.52mm): 118.2° H (14.14mm): 104.9° V (10.35mm) : 86.2°
<b>Mechanical</b>		
Iris Control		Manual
Focus Control		Manual
Mount		C-Mount
Flange Back Length		17.526mm
Dimension		Φ66 × 77.8 mm
Weight		353 g
Temperature		-10 ~ 50℃
<b>General</b>		
Certification		RoHS2.0

## Dimension



## Field of View

Extension (mm)	Working Distance(mm)		Magnification	Field of View(mm)					
				1.1" (14.14mm×10.35mm)		1" (12.45mm×9.83mm)		2/3" (8.45mm×7.07mm)	
				H	V	H	V	H	V
1	near	6.27	-0.224	99.00	72.50	90.00	68.90	62.00	46.50
	far	21.56	-0.142	63.00	46.14	57.00	43.64	40.00	30.00
0		100	-0.050	291.28	217.54	256.47	202.50	174.07	145.64
		150	-0.036	407.90	298.61	359.20	283.60	243.79	203.98
		200	-0.028	525.78	384.86	462.94	365.52	314.20	262.89
		250	-0.023	641.59	469.62	564.91	446.03	383.40	320.79
		300	-0.019	766.53	561.07	674.92	532.88	458.07	383.20
		350	-0.017	877.30	642.19	772.50	609.93	524.31	438.68
		400	-0.015	997.50	730.10	878.32	693.40	596.13	498.77
		450	-0.013	1120.00	820.00	986.42	778.83	669.50	560.16
		500	-0.012	1234.25	903.43	1086.73	858.00	737.58	617.10
		550	-0.011	1387.80	1015.83	1221.90	964.79	829.35	693.90
		600	-0.010	1506.37	1102.61	1326.30	1047.20	900.20	753.18
		650	-0.009	1629.10	1192.50	1434.45	1132.58	973.58	814.58
		700	-0.009	1748.93	1280.16	1539.91	1215.84	1045.10	874.46
		800	-0.008	1990.49	1456.90	1752.59	1383.77	1189.51	995.25
	900	-0.007	2230.42	1632.59	1963.84	1550.57	1332.89	1115.21	
	1000	-0.006	2473.33	1810.40	2177.70	1719.40	1478.10	1236.70	

**HIKROBOT**

Hangzhou Hikrobot Co., Ltd.  
en.hikrobotics.com

© Hangzhou Hikrobot Co., Ltd. All Rights Reserved.

Hangzhou Hikrobot does not tolerate any infringement. Any organization or individual may not imitate or reproduce in whole or in part of the content. The data herein is based on Hikrobot's internal evaluation. Actual data may vary depending on specific configuration and operating condition. The information herein is subject to change without notice. All the content has been checked conscientiously. Nevertheless, Hikrobot shall not be liable to damages resulting from errors, inconsistencies or omissions.