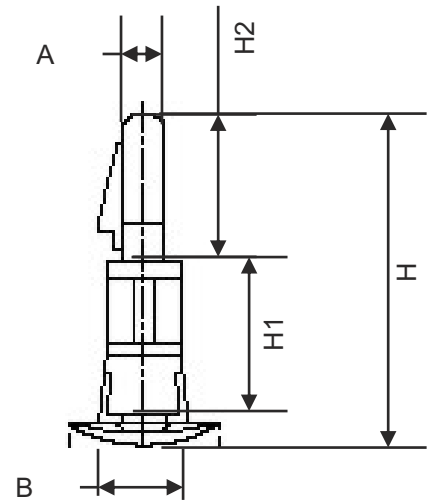


CODE: **PW100** v.1.0/1  
NAME: **Mounting pin Ø6**

EN

**TECHNICAL DATA**

---

**Installation:**

- into plate hole 4,0 mm
- into metal sheet hole 6,0 mm
- material thickness 0,7-1,6 mm

---

**Material:** polyamide 66

---

**Colour:** natural

---

**Dimensions:** H/H1/H2/A/B [mm. +/-0,2]  
- 21,0 / 8,1 / 11,0 / 4,0 / 5,8

---