

# Excel Environ WR600 Flat Packed Wall Rack Network Cabinet 18U WxD 600mm x 600mm Black

Item Code: WBFP18.6SGB

**excel**  
without compromise.



- ✕ Choice of depths available (390mm, 500mm, 600mm)
- ✕ Available in Black or Grey
- ✕ Aesthetically pleasing framed safety glass front door
- ✕ Quick release doors and side panel
- ✕ Adjustable front and rear 19" mounting profiles
- ✕ Removable cable entry panel in top and base

## Product Overview

WBFP18.6SGB Excel Environ WR600 Wall Rack Network Cabinet Flat Packed 18U WxD 600mm x 600mm Black, part of a huge range of Network Data Cabinets available from Mayflex. The Excel Environ WR is a range of wall-mounted 600mm wide racks designed for the installation of both cabling and equipment.

The WR series of Wall Racks is available in depths of 390mm, 500mm and 600mm and is suitable for multiple applications including local area networking (LAN) cabling and hardware, and the housing of security, audio and visual equipment.

## Product Specifications

| Feature              | Values               |
|----------------------|----------------------|
| Mounting Profile     | Front and rear       |
| Model                | With permanent frame |
| Type of profile rail | L-shaped             |
| Number of doors      | 1                    |
| Type of ventilation  | Passive              |
| Width                | 600 mm               |
| Height               | 901 mm               |
| Depth                | 600 mm               |

# Excel Environ WR600 Flat Packed Wall Rack Network Cabinet 18U WxD 600mm x 600mm Black

Item Code: WBFP18.6SGB



|                           |               |
|---------------------------|---------------|
| Modular spacing           | 19 inch       |
| Number of rack units (RU) | 18            |
| Max. load capacity        | 60 kg         |
| With roof plate           | Yes           |
| With front door           | Yes           |
| Side panels included      | Yes           |
| Flat-packed               | Yes           |
| Material                  | Steel         |
| Type of surface           | Powder coated |
| Colour                    | Black         |
| RAL-number                | 9004          |
| IP-rating                 | IP20          |

## Additional specifications

| Features                            | Values         |
|-------------------------------------|----------------|
| Frame                               | 1.20mm         |
| Top cover and fan entry plate       | 1.20mm         |
| 19" mounting angles                 | 1.50mm         |
| Side panels                         | 1.20mm         |
| Front door frame                    | 1.20mm         |
| Front door glass                    | 5.00mm         |
| Cable Entry Knock Out (Roof & Base) | 230 mm x 45 mm |

## Standards

| Standard               | Detail  |
|------------------------|---|
| BS EN 60297-3-100:2009 | Mechanical structures for electronic equipment. Dimensions of mechanical structures of the 482,6 mm (19 in) series. Basic dimensions of front panels, subracks, chassis, racks and cabinets |
| BS 3193:2008           | Specification for thermally toughened glass panels for use in domestic appliances   |
| WFD                    | Compliant to Waste Framework Directive  |
| SCIP                   | Compliant - Does Not Contain Substances of Concern in   |

Excel Environ WR600 Flat Packed Wall Rack Network Cabinet 18U WxD 600mm x 600mm Black

Item Code: WBFP18.6SGB



Products

# Excel Environ WR600 Flat Packed Wall Rack Network Cabinet 18U WxD 600mm x 600mm Black

Item Code: WBFP18.6SGB



## Product images



- Aesthetically pleasing design with framed glass front door



- Lockable, quick release side panels, for maximum access into cabinet



- Cable entry cut out in top and base

- Angled vented roof

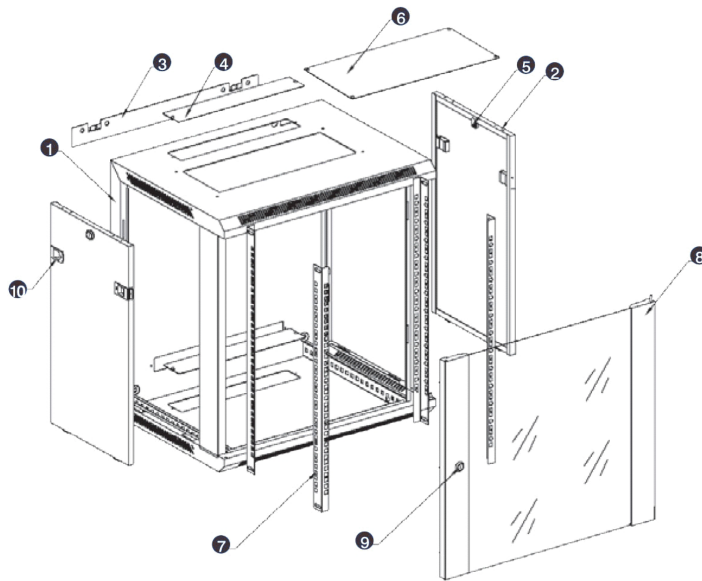
- Adjustable 19" mounting profiles

# Excel Environ WR600 Flat Packed Wall Rack Network Cabinet 18U WxD 600mm x 600mm Black

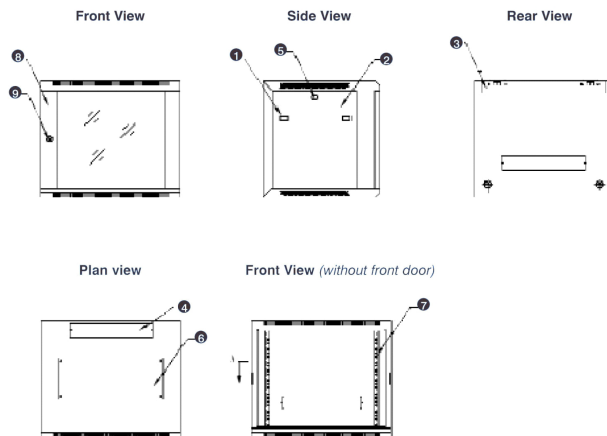
Item Code: WBFP18.6SGB



## Exploded view



- ① Frame
- ② Side panel
- ③ Mounting panel
- ④ Cable entry cover, removeable
- ⑤ Side key lock
- ⑥ Fan cover, removeable
- ⑦ Mounting profile
- ⑧ Front door
- ⑨ Front door key lock
- ⑩ Slam latch lock



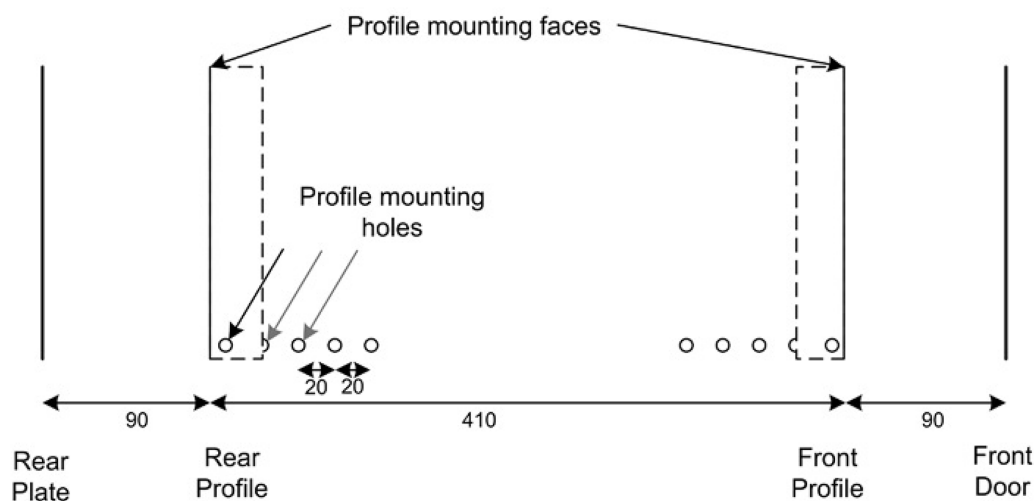
- ① Slam latch lock
- ② Side panel
- ③ Mounting panel
- ④ Cable entry cover, removeable
- ⑤ Side key lock
- ⑥ Fan cover, removeable
- ⑦ Mounting profile
- ⑧ Front door
- ⑨ Front door key lock

# Excel Environ WR600 Flat Packed Wall Rack Network Cabinet 18U WxD 600mm x 600mm Black

Item Code: WBFP18.6SGB



## Product drawings



All dimensions in mm

## Part Number Table

| Part Number | Description  |
|-------------|--|
| WB12.6SG    | Excel Environ WR600 Wall Rack Network Data Cabinet 12U WxD 600mm x 600mm Grey  |
| WB12.6SGB   | Excel Environ WR600 Wall Rack Network Data Cabinet 12U WxD 600mm x 600mm Black |
| WB15.6SG    | Excel Environ WR600 Wall Rack Network Data Cabinet 15U WxD 600mm x 600mm Grey  |
| WB15.6SGB   | Excel Environ WR600 Wall Rack Network Data Cabinet 15U WxD 600mm x 600mm Black |
| WB18.6SG    | Excel Environ WR600 Wall Rack Network Data Cabinet 18U WxD 600mm x 600mm Grey  |
| WB18.6SGB   | Excel Environ WR600 Wall Rack Network Data Cabinet 18U WxD 600mm x 600mm Black |
| WB21.6SG    | Excel Environ WR600 Wall Rack Network Data Cabinet 21U WxD 600mm x 600mm Grey  |
| WB21.6SGB   | Excel Environ WR600 Wall Rack Network Data Cabinet 21U WxD 600mm x 600mm Black |
| WB6.6SG     | Excel Environ WR600 Wall Rack Network Data Cabinet 6U WxD 600mm x 600mm Grey   |

# Excel Environ WR600 Flat Packed Wall Rack Network Cabinet 18U WxD 600mm x 600mm Black

Item Code: **WBFP18.6SGB**



|             |   |
|-------------|---|
| WB6.6SGB    | Excel Environ WR600 Wall Rack Network Data Cabinet 6U WxD 600mm x 600mm Black         |
| WB9.6SG     | Excel Environ WR600 Wall Rack Network Data Cabinet 9U WxD 600mm x 600mm Grey          |
| WB9.6SGB    | Excel Environ WR600 Wall Rack Network Data Cabinet 9U WxD 600mm x 600mm Black         |
| WBFP12.6SG  | Excel Environ WR600 Flat Packed Wall Rack Network Cabinet 12U WxD 600mm x 600mm Grey  |
| WBFP12.6SGB | Excel Environ WR600 Flat Packed Wall Rack Network Cabinet 12U WxD 600mm x 600mm Black |
| WBFP15.6SG  | Excel Environ WR600 Flat Packed Wall Rack Network Cabinet 15U WxD 600mm x 600mm Grey  |
| WBFP15.6SGB | Excel Environ WR600 Flat Packed Wall Rack Network Cabinet 15U WxD 600mm x 600mm Black |
| WBFP18.6SG  | Excel Environ WR600 Flat Packed Wall Rack Network Cabinet 18U WxD 600mm x 600mm Grey  |
| WBFP18.6SGB | Excel Environ WR600 Flat Packed Wall Rack Network Cabinet 18U WxD 600mm x 600mm Black |
| WBFP21.6SG  | Excel Environ WR600 Flat Packed Wall Rack Network Cabinet 21U WxD 600mm x 600mm Grey  |
| WBFP21.6SGB | Excel Environ WR600 Flat Packed Wall Rack Network Cabinet 21U WxD 600mm x 600mm Black |
| WBFP6.6SG   | Excel Environ WR600 Flat Packed Wall Rack Network Cabinet 6U WxD 600mm x 600mm Grey   |
| WBFP6.6SGB  | Excel Environ WR600 Flat Packed Wall Rack Network Cabinet 6U WxD 600mm x 600mm Black  |
| WBFP9.6SG   | Excel Environ WR600 Flat Packed Wall Rack Network Cabinet 9U WxD 600mm x 600mm Grey   |
| WBFP9.6SGB  | Excel Environ WR600 Flat Packed Wall Rack Network Cabinet 9U WxD 600mm x 600mm Black  |

Excel is a world class premium performing end to end infrastructure solution designed, Manufactured, supported and delivered without compromise.

Contact us at [sales@excel-networking.com](mailto:sales@excel-networking.com)



E&OE. Excel is a registered trade name of Mayflex Holdings Ltd.