

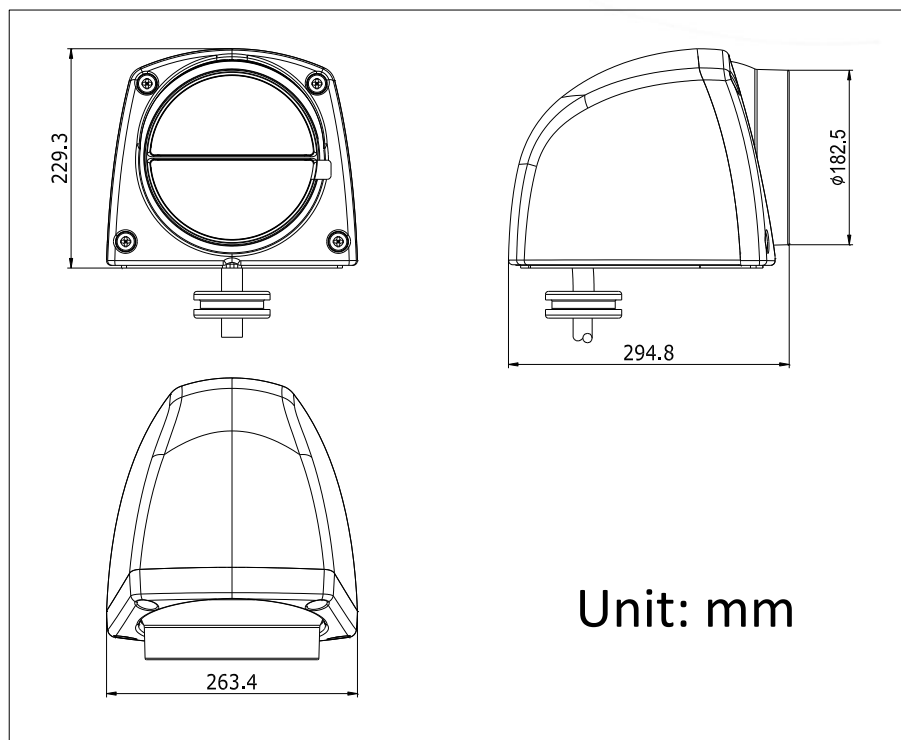
## AE-VC124T-IT IR Dome Mobile Camera

### Key Features

- 1.0 mega progressive scan CMOS
- Coaxial HD, resolution up to 720p
- Low illumination, 0.1 lux @ (F1.2, AGC ON), 0 lux with IR
- Adopts wide-angle lens
- Adopts electronic shutter to adapt to different environment
- Supports auto gain control, self-adaption to light
- High reliability with IP 68
- Shock-proof design with aviation ports



### Dimensions



## Specifications

<b>Model</b>	AE-VC124T-IT
<b>Camera</b>	
<b>Image sensor</b>	1.0 Mega Progressive Scan CMOS
<b>Video format</b>	PAL
<b>Min. illumination</b>	0.1 Lux @ (F1.2, AGC ON) , 0 Lux with IR
<b>Shutter time</b>	1/25 s to 1/50,000 s
<b>Lens</b>	2.1 mm
<b>Lens mount</b>	M 12
<b>Angle adjustment</b>	Pan: -7° to 7°; Tilt: -7° to 15°; Roll: 0° to 360°
<b>Day &amp; Night</b>	Electronic
<b>Frame rate</b>	720p@25fps
<b>Synchronization</b>	Internal
<b>S/N ratio</b>	> 62 dB
<b>Interfaces</b>	
<b>Video output</b>	1 Vp-p Composite Output
<b>Wire sequence (aviation plug)</b>	1-Video, 2-GND, 3-Power, 4-GND
<b>General</b>	
<b>Working temperature</b>	-30 °C to 70 °C (-22 °F to 158 °F)
<b>Working humidity</b>	90%
<b>Power supply</b>	6 VDC to 16 VDC
<b>Power consumption</b>	Max. 2.5 W
<b>IR range</b>	10 m to 20 m
<b>Protection level</b>	IP 68
<b>Dimension (L x W x H)</b>	74 mm x 66 mm x 57 mm (2.91" x 2.60" x 2.24")
<b>Weight</b>	210 g (0.46 lb)

## Available Model

AE-VC124T-IT

Distributed by

**HIKVISION®****Headquarters**

No.555 Qianmo Road, Binjiang District,  
Hangzhou 310051, China  
T +86-571-8807-5998  
overseasbusiness@hikvision.com

**Hikvision USA**

T +1-909-895-0400  
sales.usa@hikvision.com

**Hikvision Australia**

T +61-2-8599-4233  
salesau@hikvision.com

**Hikvision India**

T +91-22-28469900  
sales@pramahikvision.com

**Hikvision Canada**

T +1-866-200-6690  
sales.canada@hikvision.com

**Hikvision Thailand**

T +662-275-9949  
sales.thailand@hikvision.com

**Hikvision Europe**

T +31-23-5542770  
sales.eu@hikvision.com

**Hikvision Italy**

T +39-0438-6902  
info.it@hikvision.com

**Hikvision Brazil**

T +55 11 3318-0050  
Latam.support@hikvision.com

**Hikvision Turkey**

T +90 (216)521 7070- 7074  
sales.tr@hikvision.com

**Hikvision Malaysia**

T +601-7652-2413  
sales.my@hikvision.com

**Hikvision UK & Ireland**

T +01628-902140  
sales.uk@hikvision.com

**Hikvision South Africa**

Tet: +27 (10) 0351172  
sale.africa@hikvision.com

**Hikvision France**

T +33(0)1-85-330-450  
info.fr@hikvision.com

**Hikvision Kazakhstan**

T +7-727-9730667  
nikia.panfilov@hikvision.ru

**Hikvision Vietnam**

T +84-974270888  
sales.vt@hikvision.com

**Hikvision UAE**

T +971-4-4432090  
salesme@hikvision.com

**Hikvision Singapore**

T +65-6684-4718  
sg@hikvision.com

**Hikvision Spain**

T +34-91-737-16-55  
info.es@hikvision.com

**Hikvision Tashkent**

T +99-87-1238-9438  
uzb@hikvision.ru

**Hikvision Hong Kong**

T +852-2151-1761  
info.hk@hikvision.com

**Hikvision Russia**

T +7-495-669-67-99  
saleru@hikvision.com

**Hikvision Korea**

T +82-(0)31-731-8817  
sales.korea@hikvision.com

**Hikvision Poland**

T +48-22-460-01-50  
info.pl@hikvision.com

**Hikvision Indonesia**

T +62-21-2933759  
Sales.Indonesia@hikvision.com

**Hikvision Colombia**

sales.colombia@hikvision.com