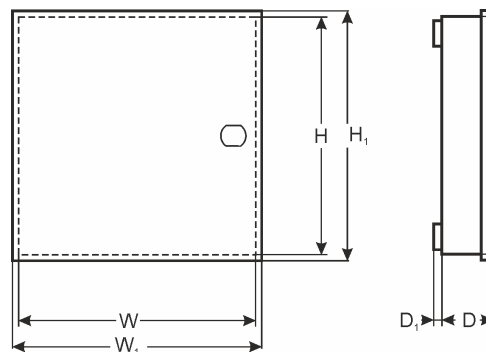


CODE: **AWO005 v1.4/II**
 NAME: **7/TRP20/SATEL**



DESTINATION

SATEL: CA4-V1, CA-5, CA-6, VERSA 5,10, INTEGRA 24

MODULES: CA-64 (PP, EPS, ADR, O-R, O- ROC, O-OC, OPS-OC, OPS-R, OPS-ROC, VMG-16, SR, PTSA, ACC-KP-PS)

TECHNICAL DATA

External dimensions of the enclosure:	W=250, H=250, D+D1=80+8 [+/-2 mm]
External dimensions of the front panel:	W1=255, H1=255 [+/-2 mm]
Weight net/gross:	1,95kg / 2,10kg [+/-0,1kg]
Battery space:	7Ah/12V Sealed Lead Acid (SLA)
Transformer:	TRP 20VA/16V/18V in the case of PC/ABC in class UL94-V0, IP30
Power supply:	230V/AC (-15%/+10%), 50Hz, 120mA (max.)
Power supply output:	U1=16V/AC or U2=18V/AC (-5%, +15%), I1=1,2A or I2=1,0A (max.)
Operating environment:	class II , -10°C+ 40°C
Material description:	sheet steel DC01, thickness: 0,7mm, protection anticorrosion, color: RAL 9003
Destination:	indoor
Tamper protection:	1 x microswitch: opening, 0,5A@50V/DC max. NC
Closing:	screwed x 4
Notes:	optional: lockable, distance from wall (mounting surface) - 8mm, easy door removal
Declaration, warranty:	CE, 2 year from the production date