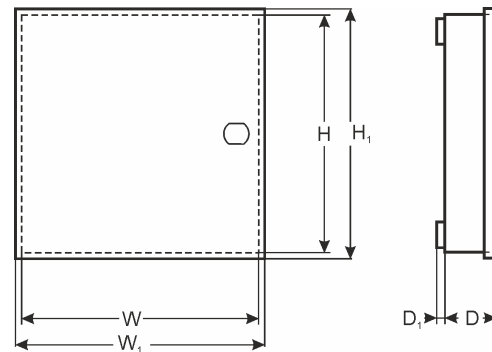


CODE: **AWO205 v1.4/II**  
 NAME: **17/TRP40/SATEL**



## DESTINATION

### SATEL:

#### CONTROL PANELS:

##### 7Ah:

- 1) CA4V1, 5, 6, 10, VERSA 5, 10, 15, INTEGRA 24, 32 + 3 x CA10E (CA64E, SM, MST1)
- 2) CA4V1, 5,6,10, VERSA 5,10,15, INTEGRA 24, 32 + CA10E (CA64E, SM, MST1) + GSMLT1
- 3) CA4V1,5,6,10, VERSA 5,10,15, INTEGRA 24, 32 + CA10E (CA64E, SM, MST1) + CA64 (EPS, ADR, O-R, O-ROC, O-OC, VGM- 16, SR, ACC- KP-PS)

#### MODULES:

- 1) CA64 ( PP, EPS, ADR, O- R, O-ROC, O-OC, OPS- OC, OPS- R, OPS- ROC, VGM- 16, SR, PTSA, ACC-KP-PS) + 3 x CA10E (CA64E, SM, MST1)

##### 17 Ah:

- 1) CA4V1, 5,6, 10, VERSA 5,10,15, INTEGRA 24, 32 + 2 x CA10E (CA64E, SM, MST1)
- 2) CA4V1, 5,6,10, VERSA 5,10,15, INTEGRA 24, 32 + GSMLT1
- 3) CA4V1, 5,6,10, VERSA 5,10,15, INTEGRA 24, 32 + CA64 (EPS, ADR, O- R, O-ROC, O-OC, VGM-16, SR, ACC- KP- PS)

#### MODULES:

- 1) CA64 (PP, EPS, ADR, O-R, O-ROC, O-OC, OPS- OC, OPS- R, OPS- ROC, VGM-16, SR, PTSA, ACC- KP-PS) + 2x CA10E (CA64E, SM, MST1)

## TECHNICAL DATA

<b>External dimensions of the enclosure:</b>	W=320, H=305, D+D1=90+8 [ +/-2 mm]
<b>External dimensions of the front panel:</b>	W1=325, H1=310 [ +/-2 mm]
<b>Weight net/gross:</b>	3,00kg / 3,20kg [ +/-0,1kg]
<b>Battery space:</b>	17Ah/12V Sealed Lead Acid (SLA)
<b>Transformer:</b>	TRP 40VA/16V/18V in the case of PC/ABC in class UL94-V0, IP30
<b>Power supply:</b>	230V/AC (-15%/+10%), 50Hz, 200mA (max.)
<b>Power supply output:</b>	U1=16V/AC or U2=18V/AC (-5%, +15%), I1=2,2A or I2=2,0A (max.)
<b>Operating environment:</b>	class II , -10°C+ 40°C
<b>Material description:</b>	sheet steel DC01, thickness: 0,7mm, protection anticorrosion, color: RAL 9003
<b>Destination:</b>	indoor
<b>Tamper protection:</b>	1 x microswitch: opening, 0,5A@50V/DC max. NC
<b>Closing:</b>	screwed x 4
<b>Notes:</b>	optional: lockable, distance from wall (mounting surface) - 8mm, easy door removal hole for pigtail (LT-1x antenna)
<b>Declaration, warranty:</b>	CE, 2 year from the production date