

COLT10DL

10m Digi-logic Pet Immune Detector



Self-certified to:
EN 50131-2-2:2008
EN 50131-1-2:2006+A1:2009
PD 6662:2010
Security Grade 2
Environmental Class II

Pyronix Limited
Secure House, Braithwell Way, Hellaby,
Rotherham, South Yorkshire, S66 8QY
Customer support:
+44(0)845 6434 999 (local rate)
or +44(0)1709 535225
Hours: Mon to Fri, 8.00am till 6:30pm
Email: customer.support@pyronix.com
Website: www.pyronix.com



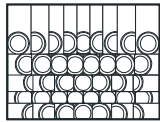
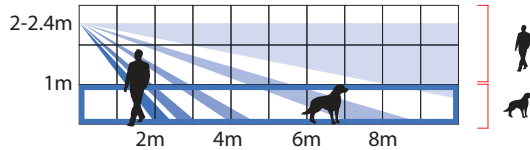
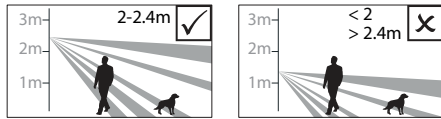
For electrical products sold within the European Community. At the end of the electrical products life, it should not be disposed of with household waste. Please recycle where facilities exist. Check with your Local Authority or retailer for recycling advice in your country.

This product is approved for use in the residential, commercial and light industrial environment

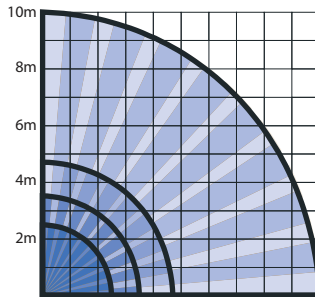
8 SPECIFICATIONS (QUICK REFERENCE)

Model:	Pyronix COLT10DL
Colour:	White
Weight:	58g without bracket
Dimensions:	Height = 82mm, Width = 50mm, Depth = 41mm
Casing:	3mm ABS, 0.4mm HDPE in lens area.
Detection method:	Low noise Dual Element Pyroelectric sensor
Sensitivity:	PC1, PC2 & pet
Temperature compensation:	Auto
Detection range:	10m Digi-logic
Detection zones:	78
Detection speed:	0.3 - 3.0 m/s
Operating voltage:	9 - 16 VDC
Quiescent current:	15mA at 12V
Relay output:	SELV limits, 60Vdc, 50mA (42.4Vac peak)
Mounting height:	2m - 2.4m standard, 2.4m PI
Tamper switch:	12V 50mA
Storage temperature:	-40°C to 80°C
Operating temperature:	-30°C to 70°C
Emissions:	EN55022 Class B
Immunity:	Designed to new European standard EN50130-4

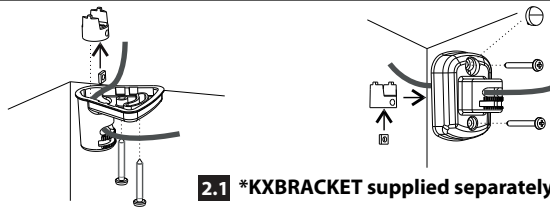
1 PET SETTINGS



Volumetric 90°
78 Zone Edges
5 Planes

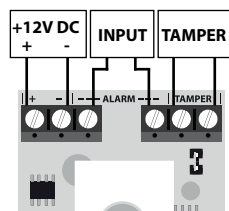


2 BRACKET CONNECTIONS

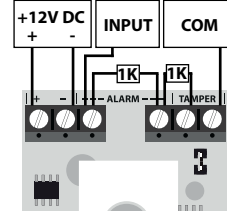


3 WIRING DIAGRAM

3.1 Double pole

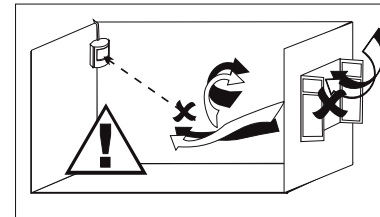
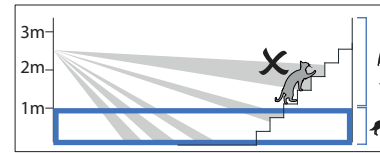
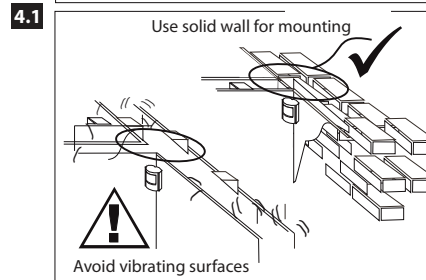
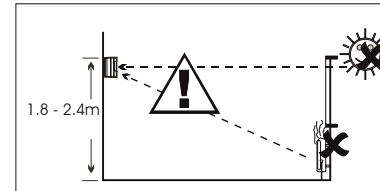
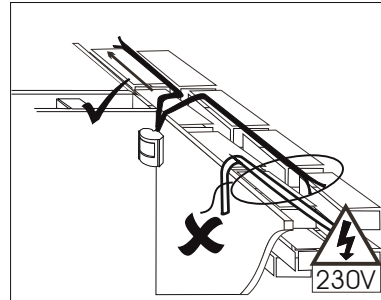


3.2 Double end of line

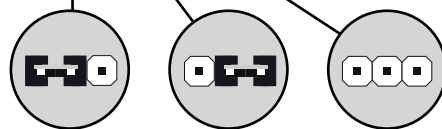
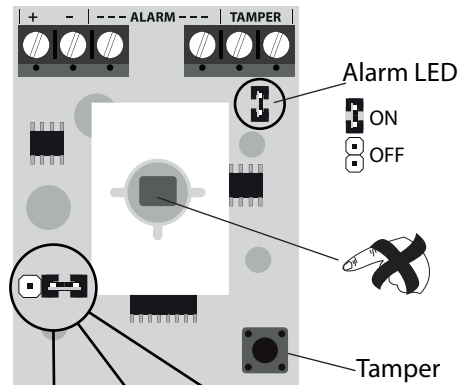


4 FALSE ALARM HAZARDS

Do not partially or completely obscure the detectors field of vision with large objects.



5 SENSITIVITY SETTINGS

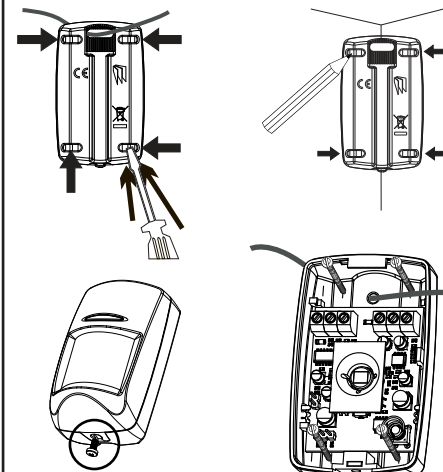


5.1 PC1
Pulse Count 1

5.2 PC2
Pulse Count 2
(default)

5.3 Pet
sensitivity

6 MOUNTING



7 WARRANTY

This product is sold subject to our standard warranty conditions and is warranted against defects in workmanship for a period of five years.

In the interest of continuing improvement of quality, customer care and design, Pyronix Ltd. reserves the right to amend specifications without giving prior notice.