

DS-1331HZ-W

Outdoor Housing

Features:

- Adopt side-cover design for convenient installation and maintenance
- Adopt stainless steel dual-hasp design, water-proof up to IP 67
- Partial glass silk print to protect imaging area
- Built-in automatic temperature control system to ensure stable running
- Wiper included for rainy days

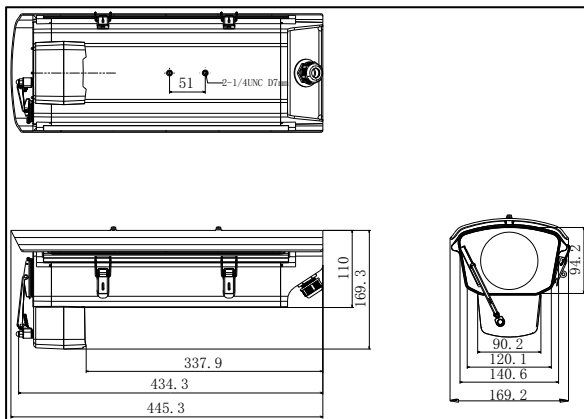
Notice:

- ABF and wiper can't be used at the same time
- Set 9600bps as 485 communication baud rate , set 0 as address, choose Pelco-D protocol
- Read the instructions carefully and observe all warnings before installing this equipment.
- Turn off the power before wiping this equipment, do not use liquid or spray cleaning agent.
- Do not install on unstable bracket.
- Protect the power line, especially the flexible line of the plug and camera.

Order Model:

DS-1331HZ-W

Dimension:



Installation:



DS-1293ZJ Wall Mount



DS-1214ZJ Horizontal Pole Mount



DS-1269ZJ Pendant Mount



Parameter:

| | |
|-------------------------------------|---|
| Model | DS-1331HZ-W |
| | Outdoor Housing |
| Produce features | Contain fan, wiper, suitable for high temperature environment |
| Working temperature | -20°C ~ +60°C |
| Automatic temperature control range | Fan on: 45°C±5°C Fan off: 35°C±5°C |
| Power | AC24V |
| Power consumption | Fan: 4W; Wiper: 4W |
| Protection level | IP67 |
| Material | Main: aluminum alloy Window: glass |
| Dimension(mm) | 455.3×169.3×169.2 |
| Matching power supply | AC24V 2A power pack |
| Weight | 2500g |

Wiring:

