

## DS-2CD1753R0-I(Z) 5 MP IR Varifocal Network Dome Camera



### Key Features

- 1/2.7" Progressive Scan CMOS
- 2560 × 1920 @15fps
- Color: 0.01 Lux @ (F1.2; AGC ON), 0.02 Lux @(F1.6; AGC ON)
- 2.8 to 12 mm varifocal lens
- H.265+, H.265, H.264+, H.264
- 3D Digital Noise Reduction
- IP67, IK10



## Specifications

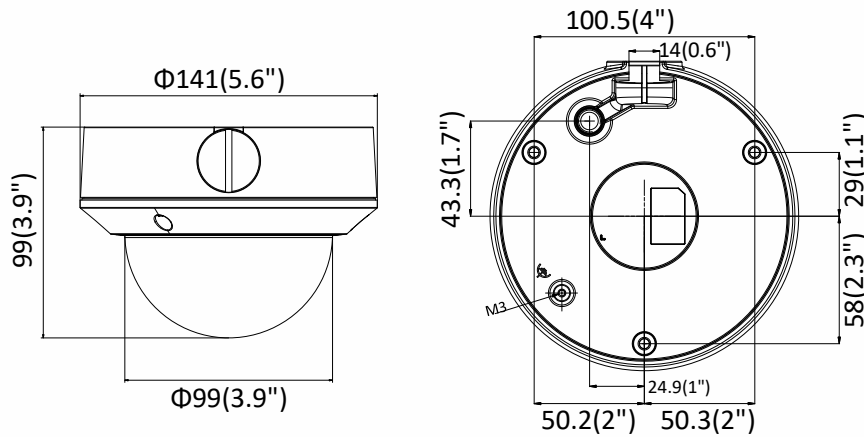
<b>Camera</b>	
Image Sensor	1/2.7" Progressive Scan CMOS
Min. Illumination	Color: 0.01 Lux @(F1.2; AGC ON), 0.02 Lux @ (F1.6, AGC ON)
Shutter Speed	1/3 s to 1/100,000 s
Slow Shutter	Yes
Auto-Iris	No
Day & Night	IR Cut Filter
Digital Noise Reduction	3D DNR
Wide Dynamic Range	120 dB
3-Axis Adjustment	Pan: 0° to 355°, tilt: 0° to 70°, rotate: 0° to 355°
<b>Lens</b>	
Focal Length	2.8 to 12 mm
Aperture	F1.6
Focus	With -Z model: Auto Without -Z model: Manual
FOV	Horizontal FOV: 98° to 28°, vertical FOV: 71° to 21°, diagonal FOV: 130° to 35°
Lens Mount	Φ14
<b>IR</b>	
IR Range	Up to 30 m
Wavelength	850nm
<b>Compression Standard</b>	
Video Compression	Main stream: H.265/H.264 Sub-stream: H.265/H.264/MJPEG
H.264 Type	Baseline Profile/Main Profile/High Profile
H.264+	Main stream supports
H.265 Type	Main Profile
H.265+	Main stream supports
Video Bit Rate	32 Kbps to 8Mbps
<b>Smart Feature-set</b>	
Region of Interest	Support 1 fixed region for main stream and sub-stream
<b>Image</b>	
Max. Resolution	2560 × 1920
Main Stream	50Hz: 12.5fps (2560 × 1920), 20fps (2560 × 1440), 25fps (2304 × 1296, 1920 × 1080, 1280 × 720) 60Hz: 15fps (2560 × 1920), 20fps (2560 × 1440), 30fps (2304 × 1296, 1920 × 1080, 1280 × 720)
Sub Stream	50Hz: 25fps (640 × 480, 640 × 360, 320 × 240) 60Hz: 30fps (640 × 480, 640 × 360, 320 × 240)
Image Enhancement	BLC/3D DNR
Image Settings	Saturation, brightness, contrast and sharpness are adjustable via client software and web browser
Day/Night Switch	Auto/Scheduled/Day/Night
<b>Network</b>	
Network Storage	Support MicroSD/SDHC/SDXC card (128G), local storage and NAS (NFS,SMB/CIFS), ANR
Alarm Trigger	Motion detection, video tampering, network disconnected, IP address conflict, illegal login, HDD error, HDD full
Protocols	TCP/IP, ICMP, HTTP, HTTPS, FTP, DHCP, DNS, DDNS, RTP, RTSP, RTCP, PPPoE, NTP, UPnP, SMTP, SNMP,

	IGMP, QoS, IPv6, UDP, Bonjour, 802.1x
General Function	One-key reset, heartbeat, mirror, password protection, privacy mask, watermark, IP address filter
Firmware Version	V5.5.52
API	ONVIF(PROFILE S,PROFILE G), ISAPI
Simultaneous Live View	Up to 6 channels
User/Host	Up to 32 users 3 levels: Administrator, Operator and User
Client	iVMS-4200, Hik-Connect, iVMS-5200, iVMS-4500
Web Browser	IE8+, Chrome 31.0-44, Firefox 30.0-51, Safari 8.0+
<b>Interface</b>	
Communication Interface	1 RJ45 10M/100M self-adaptive Ethernet port
On-board storage	Built-in Micro SD/SDHC/SDXC slot, up to 128G
Video Out (Without -Z Model)	1 Vp-p Composite Output(75Ω/BNC)
Reset Button	Yes
<b>General</b>	
Operating Conditions	-30 °C to +60 °C (-22 °F to +140 °F), Humidity 95% or less (non-condensing)
Power Supply	12 VDC ± 25% PoE: 802.3af, class 3
Power Consumption and Current	With -Z model: 12 VDC, 0.8 A, max. 10 W PoE (802.3af, 36 to 57 V), 0.4 A to 0.2 A, max. 12 W Without -Z model: 12 VDC, 0.5 A, max. 6 W PoE (802.3af, 36 to 57 V), 0.3 A to 0.1 A, max. 8 W
Protection Level	IP67, IK10
Material	Bubble: plastic, front cover & bottom base: metal
Dimensions	Camera: Φ141 mm × 99 mm (5.6" × 3.9") With package: 140 mm × 140 mm × 154 mm (5.5" × 5.5" × 6.1")
Weight	Camera: approx. 800 g (1.8 lb.) With package: approx. 1050 g (2.3 lb.)

## Available Model

DS-2CD1753R0-I (2.8 to 12 mm), DS-2CD1753R0-IZ (2.8 to 12 mm)

## Dimension



Unit: mm(inch)

## Accessory



DS-1271ZJ-135  
Pendant Mount



DS-1273ZJ-135  
Wall Mount



DS-1273ZJ-135B  
Wall mount  
with junction box



DS-1275ZJ-SUS  
Vertical Pole Mount



Distributed by  
DS-1276ZJ-SUS  
Corner Mount



DS-1258ZJ-L  
Wall Mount



DS-1280ZJ-DM21  
Junction Box



DS-1281ZJ-DM23  
Inclined Ceiling Mount



DS-1253ZJ-L  
Rain Shade



DS-1250ZJ  
Rain Shade



DS-1227ZJ  
In-ceiling Mount  
The bracket should be used  
together with the adapter plate  
D20-AP(White)



D20-AP(White)  
Adapter Plate



### Headquarters

No.555 Qianmo Road, Binjiang District,  
Hangzhou 310051, China  
T +86-571-8807-5998  
overseasbusiness@hikvision.com

**Hikvision USA**  
T +1-909-895-0400  
sales.usa@hikvision.com

**Hikvision Italy**  
T +39-0438-6902  
info.it@hikvision.com

**Hikvision Singapore**  
T +65-6684-4718  
sg@hikvision.com

**Hikvision Africa**  
T +27 (10) 0351172  
sale.africa@hikvision.com

**Hikvision Europe**  
T +31-23-55-42-770  
info.eu@hikvision.com

**Hikvision France**  
T +33(0)1-85-330-450  
info.fr@hikvision.com

**Hikvision Oceania**  
T +61-2-8599-4233  
salesau@hikvision.com

**Hikvision Hong Kong**  
T +852-2151-1761

**Hikvision Middle East**  
T +971-4-8816086  
salesme@hikvision.com

**Hikvision Spain**  
T +34-91-737-16-55  
info.es@hikvision.com

**Hikvision Canada**  
T +1-909-895-0400  
sales.usa@hikvision.com

**Hikvision Russia**  
T +7-495-669-67-99  
sateru@hikvision.com

**Hikvision Poland**  
T +48-22-460-01-50  
poland@hikvision.com

**Hikvision Korea**  
T +82-31-731-8841  
sales.korea@hikvision.com

**Hikvision India**  
T +91-22-28469900  
sales@pramahikvision.com

**Hikvision UK**  
T +01628-902140  
support.uk@hikvision.com

**Hikvision Brazil**  
T +55 11 3318-0050  
Latam.support@hikvision.com