

DS-2CD2323G0-I(U) 2 MP IR Fixed Turret Network Camera



- 1/2.8" Progressive Scan CMOS
- 1920 × 1080@30fps
- 2.8/4/6 mm fixed lens
- Color: 0.028 Lux @ (F2.0, AGC ON), 0 Lux with IR
- H.265, H.265+, H.264, H.264+
- Three streams
- 120dB WDR
- BLC/3D DNR/ROI/HLC
- IR range: Up to 30 m
- Built-in micro SD/SDHC/SDXC card slot, up to 128 GB
- 3-Axis adjustment
- Built-in microphone (optional)



Specifications

Camera	
Image Sensor	1/2.8" Progressive Scan CMOS
Min. Illumination	Color: 0.028 Lux @ (F2.0, AGC ON), 0 Lux with IR
Shutter Speed	1/3 s to 1/100,000 s
Slow Shutter	Yes
Day & Night	IR Cut Filter
WDR	120 dB
Angle Adjustment	Pan: 0° to 360°, tilt: 0° to 75°, rotate: 0° to 360°
Lens	
Lens Type	Fixed lens, 2.8/4/6 mm
Aperture	F2.0
FOV	2.8mm: Horizontal FOV: 114° , vertical FOV: 62° , diagonal FOV: 135° 4 mm: Horizontal FOV: 86° , vertical FOV: 46° , diagonal FOV: 102° 6 mm: Horizontal FOV: 54° , vertical FOV: 30° , diagonal FOV: 62°
Lens Mount	M12
Illuminator	
IR Range	Up to 30 m
Wavelength	850 nm
Video	
Max. Resolution	1920 × 1080
Main Stream	50Hz: 25fps (1920 × 1080, 1280 × 960, 1280 × 720) 60Hz: 30fps (1920 × 1080, 1280 × 960, 1280 × 720)
Sub Stream	50Hz: 25fps (640 × 480, 640 × 360, 320 × 240) 60Hz: 30fps (640 × 480, 640 × 360, 320 × 240)
Third Stream	50Hz: 25fps (1920 × 1080, 1280 × 720, 640 × 360, 352 × 288) 60Hz: 30fps (1920 × 1080, 1280 × 720, 640 × 360, 352 × 240)
Video Compression	Main stream/third stream: H.265/H.264 Sub-stream: H.265/H.264/MJPEG
H.264 Type	Main Profile/High Profile
H.264+	Main stream supports
H.265 Type	Main Profile
H.265+	Main stream supports
Video Bit Rate	32 Kbps to 16 Mbps
Scalable Video Coding (SVC)	H.264 and H.265 encoding
Audio(-U)	
Audio Compression	G.711/G.722.1/G.726/MP2L2/PCM/MP3
Audio Bit Rate	64Kbps(G.711)/16Kbps(G.722.1)/16Kbps(G.726)/32-192Kbps(MP2L2)/8Kbps-320Kbps(MP3)
Environment Noise Filtering	Yes

Audio Sampling Rate	8 kHz/16 kHz/32 kHz/44.1 kHz/48 kHz
Smart Feature-Set	
Smart Event	Line crossing detection, intrusion detection and face detection
Basic Event	Motion detection, video tampering alarm, exception (network disconnected, IP address conflict, illegal login, HDD full, HDD error)
Face Detection	Yes
Linkage Method	Upload to FTP/NAS/memory card, notify surveillance center, send email, trigger recording, trigger capture
Region of Interest	1 fixed region for main stream and sub-stream
Image	
Image Enhancement	BLC, HLC, 3D DNR
Image Setting	Rotate mode, saturation, brightness, contrast, sharpness, AGC and white balance adjustable by client software or web browser
Day/Night Switch	Day/Night/Auto/Schedule
Network	
Network Storage	microSD/SDHC/SDXC card (128 GB), local storage and NAS (NFS,SMB/CIFS), ANR Together with high-end Hikvision memory card, memory card encryption and health detection are supported.
Protocols	TCP/IP, ICMP, HTTP, HTTPS, FTP, DHCP, DNS, DDNS, RTP, RTSP, RTCP, PPPoE, NTP, UPnP™, SMTP, SNMP, IGMP, 802.1X, QoS, IPv6, UDP, Bonjour, SSL/TLS
API	ONVIF (PROFILE S, PROFILE G), ISAPI, SDK
Security	Password protection, complicated password, HTTPS encryption, 802.1X authentication (EAP-MD5) , watermark, IP address filter, basic and digest authentication for HTTP/HTTPS, WSSE and digest authentication for ONVIF, TLS1.2
Simultaneous Live View	Up to 6 channels
User/Host	Up to 32 users, 3 levels: administrator, operator and user
Client	iVMS-4200, Hik-Connect, Hik-Central
Web Browser	Plug-in required live view: IE8+, Chrome 41.0-44, Mozilla Firefox30.0-51, Safari8.0-11 Plug-in free live view: Chrome 45.0+, Mozilla Firefox52.0+
Interface	
Communication Interface	1 RJ45 100M self-adaptive Ethernet port
Audio (-U)	1 audio input (built-in microphone), mono sound
Video Output	No
Interface Style	Pigtail style interface
On-board storage	Built-in micro SD/SDHC/SDXC slot, up to 128 GB
General	
Firmware Version	5.5.83
Web Client Language	32 languages English, Russian, Estonian, Bulgarian, Hungarian, Greek, German, Italian, Czech, Slovak, French, Polish, Dutch, Portuguese, Spanish, Romanian, Danish, Swedish, Norwegian, Finnish, Croatian, Slovenian, Serbian, Turkish, Korean, Traditional Chinese, Thai, Vietnamese, Japanese, Latvian, Lithuanian, Portuguese (Brazil)

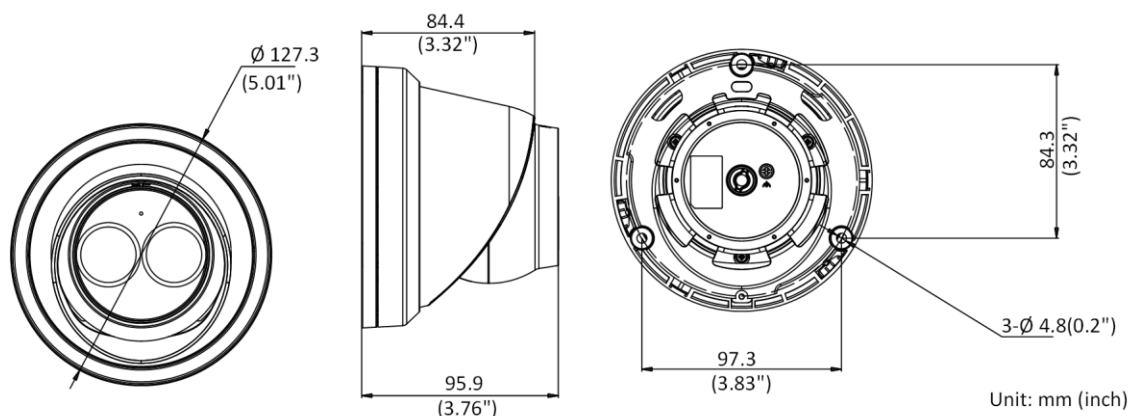
General Function	Anti-flicker, three streams, heartbeat, mirror, 4 regions of privacy mask
Reset	Reset via reset button on camera body, web browser and client software
Startup and Operating Conditions	-30 °C to 60 °C (-22 °F to 140 °F), humidity 95% or less (non-condensing)
Storage Conditions	-30 °C to 60 °C (-22 °F to 140 °F), humidity 95% or less (non-condensing)
Power Supply	12 VDC ± 25%, Φ 5.5 mm coaxial power plug; PoE (802.3af, class 3)
Power Consumption and Current	12 VDC, 0.5 A, max. 6 W; PoE (802.3af, 36 V to 57 V), 0.3 A to 0.2 A, max. 7.5 W
Material	Metal
Dimensions	Camera: Φ 127.3 × 95.9 mm (5" × 3.8") With package: 150 × 150 × 141 mm (5.9" × 5.9" × 5.6")
Weight	Camera: Approx. 635 g (1.4 lb.) With package: Approx. 890 g (1.96 lb.)
Approval	
EMC	47 CFR Part 15, Subpart B; EN 55032: 2015, EN 61000-3-2: 2014, EN 61000-3-3: 2013, EN 50130-4: 2011 +A1: 2014; AS/NZS CISPR 32: 2015; ICES-003: Issue 6, 2016; KN 32: 2015, KN 35: 2015
Safety	UL 60950-1, IEC 60950-1:2005 + Am 1:2009 + Am 2:2013, EN 60950-1:2005 + Am 1:2009 + Am 2:2013, IS 13252(Part 1):2010+A1:2013+A2:2015
Chemistry	2011/65/EU, 2012/19/EU, Regulation (EC) No 1907/2006
Protection	Without -U: Ingress protection: IP67 (IEC 60529-2013) With -U: Ingress protection: IP66 (IEC 60529-2013)

* Listed resolutions are only selectable options. It does not mean that all streams can work at their maximum resolution at the same time.

Available Model

DS-2CD2323G0-I (2.8/4/6 mm), DS-2CD2323G0-IU (2.8/4/6 mm)

Dimensions



Accessory



DS-1273ZJ-130-TRL
Wall Mount



DS-1273ZJ-130B-TRL
Wall Mount



DS-1276ZJ-SUS
Corner Mount



DS-1275ZJ-SUS
Vertical Pole Mount



DS-1280ZJ-DM8
Junction Box



DS-1281ZJ-M
Inclined Ceiling Mount



DS-1271ZJ-130-TRL
Pendant Mount



DS-1273ZJ-130-TRL(Black)
Wall Mount



DS-1276ZJ-SUS(Black)
Corner Mount



DS-1275ZJ-SUS(Black)
Vertical Pole Mount



DS-1280ZJ-DM8(Black)
Junction Box



DS-1281ZJ-M(Black)
Inclined Ceiling Mount

Distributed by

**HIKVISION®****Headquarters**

No.555 Qianmo Road, Binjiang District,
Hangzhou 310051, China
T +86-571-8807-5998
overseasbusiness@hikvision.com

Hikvision USA
T +1-909-895-0400
sales.usa@hikvision.com

Hikvision Australia
T +61-2-8599-4233
salesau@hikvision.com

Hikvision India
T +91-22-28469900
sales@pramahikvision.com

Hikvision Canada
T +1-866-200-6690
sales.canada@hikvision.com

Hikvision Thailand
T +662-275-9949
sales.thailand@hikvision.com

Hikvision Europe
T +31-23-5542770
sales.eu@hikvision.com

Hikvision Italy
T +39-0438-6902
info.it@hikvision.com

Hikvision Brazil
T +55 11 3318-0050
Latam.support@hikvision.com

Hikvision Turkey
T +90 (216)521 7070- 7074
sales.tr@hikvision.com

Hikvision Malaysia
T +601-7652-2413
sales.my@hikvision.com

Hikvision UK & Ireland
T +01628-902140
sales.uk@hikvision.com

Hikvision South Africa
Tel: +27 (10) 0351172
sale.africa@hikvision.com

Hikvision France
T +33(0)1-85-330-450
info.fr@hikvision.com

Hikvision Kazakhstan
T +7-727-9730667
nikia.panfilov@hikvision.ru

Hikvision Vietnam
T +84-974270888
sales.vt@hikvision.com

Hikvision UAE
T +971-4-4432090
salesme@hikvision.com

Hikvision Singapore
T +65-6684-4718
sg@hikvision.com

Hikvision Spain
T +34-91-737-16-55
info.es@hikvision.com

Hikvision Tashkent
T +99-87-1238-9438
uzb@hikvision.ru

Hikvision Hong Kong
T +852-2151-1761
info.hk@hikvision.com

Hikvision Russia
T +7-495-669-67-99
sateru@hikvision.com

Hikvision Korea
T +82-[0]31-731-8817
sales.korea@hikvision.com

Hikvision Poland
T +48-22-460-01-50
info.pl@hikvision.com

Hikvision Indonesia
T +62-21-2933759
Sales.Indonesia@hikvision.com

Hikvision Colombia
sales.colombia@hikvision.com