

## DS-2CD2326G1-I/SL 2 MP IR Fixed Turret Network Camera



### Key Features

- Max. 1920 × 1080 @30fps
- 2.8 mm/4 mm/6 mm/8 mm fixed lens
- H.265+, H.264+
- 120dB WDR
- Powered by Darkfighter
- False alarm filter by target classification
- 12 VDC & PoE (802.3af, class 3)
- Built-in micro SD/SDHC/SDXC slot, up to 128G
- BLC/3D DNR/HLC/ROI
- 0.009 Lux @ (F1.6, AGC ON), 0 Lux with IR
- Built-in speaker
- Strobe Light & Audio Alarm



## Specification

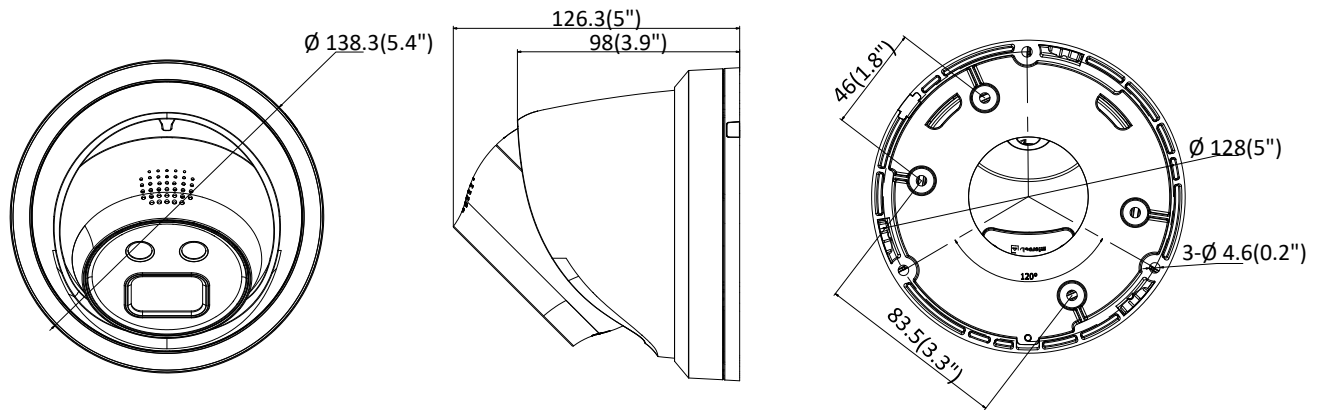
| <b>Camera</b>               |   |
|-----------------------------|---|
| Image Sensor                | 1/2.8" Progressive Scan CMOS  |
| Min. Illumination           | 0.009 Lux @ (F1.6, AGC ON), 0 Lux with IR   |
| Shutter Speed               | 1/3 s to 1/100,000 s  |
| Slow Shutter                | Yes   |
| Day & Night                 | IR cut filter   |
| DNR                         | 3D DNR  |
| Wide Dynamic Range          | 120dB   |
| Angle Adjustment            | Pan: 0° to 360°, tilt: 0° to 75°, rotate: 0° to 360°  |
| <b>Lens</b>                 |   |
| Focal length                | 2.8/4/6/8 mm  |
| Aperture                    | F1.6  |
| Focus                       | Fixed   |
| FOV                         | 2.8 mm, horizontal FOV: 108°, vertical FOV: 58°, diagonal FOV: 128°<br>4 mm, horizontal FOV: 86°, vertical FOV: 46°, diagonal FOV: 103°<br>6 mm, horizontal FOV: 52°, vertical FOV: 29°, diagonal FOV: 60°<br>8 mm, horizontal FOV: 41°, vertical FOV: 22°, diagonal FOV: 47°   |
| Lens Mount                  | M12   |
| <b>IR</b>                   |   |
| IR Range                    | Up to 30 m  |
| Wavelength                  | 850nm   |
| <b>Compression Standard</b> |   |
| Video Compression           | Main stream: H.265/H.264<br>Sub-stream: H.265/H.264/MJPEG<br>Third stream: H.265/H.264  |
| H.264 Type                  | Main Profile/High Profile   |
| H.264+                      | Main stream supports  |
| H.265 Type                  | Main Profile  |
| H.265+                      | Main stream supports  |
| Video Bit Rate              | 32 Kbps to 16 Mbps  |
| <b>Smart Feature-set</b>    |   |
| Behavior Analysis           | Line crossing detection, intrusion detection, region entrance detection, region exiting detection, false alarm filter by target classification<br>When H265+, three streams or motion detection is enabled, the behavior analyses (including line crossing detection, intrusion detection, region entrance detection and region exiting detection) are not supported. |
| Exception Detection         | Scene change detection  |
| <b>Image</b>                |   |
| Max. Resolution             | 1920 × 1080   |
| Main Stream                 | 50Hz: 25fps (1920 × 1080, 1280 × 960, 1280 × 720)<br>60Hz: 30fps (1920 × 1080, 1280 × 960, 1280 × 720)  |
| Sub-Stream                  | 50Hz: 25fps (640 × 480, 640 × 360, 320 × 240)<br>60Hz: 30fps (640 × 480, 640 × 360, 320 × 240)  |
| Third stream                | 50Hz: 25fps (1920 × 1080, 1280 × 720, 640 × 480, 640 × 360, 320 × 240)<br>60Hz: 30fps (1920 × 1080, 1280 × 720, 640 × 480, 640 × 360, 320 × 240)  |

|                          |   |
|--------------------------|---|
| Image Enhancement        | BLC/3D DNR/HLC  |
| Image Settings           | Saturation, brightness, contrast, sharpness, AGC, white balance adjustable by client software or web browser                          |
| Day/Night Switch         | Day/Night/Auto/Schedule   |
| ROI (Region of Interest) | Support 4 fixed region for main stream and sub-stream separately  |
| <b>Network</b>           |   |
| Network Storage          | Support micro SD/SDHC/SDXC card (128G) local storage, NAS (NFS,SMB/CIFS), ANR   |
| Alarm Trigger            | Motion detection, video tampering, network disconnected, IP address conflict, illegal login, HDD full, HDD error                      |
| Protocols                | TCP/IP, ICMP, HTTP, HTTPS, FTP, DHCP, DNS, DDNS, RTP, RTSP, RTCP, PPPoE, NTP, UPnP, SMTP, SNMP, IGMP, 802.1X, QoS, IPv6, UDP, Bonjour |
| General Function         | One-key reset, anti-flicker, heartbeat, mirror, password protection, privacy mask, watermark, IP address filter                       |
| Firmware Version         | V5.5.70   |
| API                      | ONVIF (PROFILE S, PROFILE G), ISAPI   |
| Simultaneous Live View   | Up to 6 channels  |
| User/Host                | Up to 32 users<br>3 levels: Administrator, Operator and User  |
| Client                   | iVMS-4200, Hik-Connect, iVMS-4500, iVMS-5200  |
| Web Browser              | IE8+, Chrome 41.0-44, Firefox 30.0-51, Safari 8.0-11  |
| <b>Interface</b>         |   |
| Audio                    | Built-in speaker  |
| Communication Interface  | 1 RJ45 10M/100M self-adaptive Ethernet port   |
| On-board Storage         | Built-in micro SD/SDHC/SDXC slot, up to 128 GB  |
| SVC                      | H.264 and H.265 encoding support  |
| Reset Button             | Yes   |
| <b>General</b>           |   |
| Operating Conditions     | -30 °C to +60 °C (-22 °F to +140 °F), humidity 95% or less (non-condensing)   |
| Power Supply             | 12 VDC ± 25%, 5.5 mm coaxial power plug<br>PoE (802.3af, class 3)   |
| Power Consumption        | 12 VDC, 0.5 A, max. 6 W<br>PoE: (802.3af, 36 V to 57 V), 0.3 A to 0.1 A, max. 7.5 W   |
| Material                 | Camera: Metal, trim ring: Plastic   |
| Dimension                | Camera: Φ 138.3 × 126.3 mm (Φ 5.4" × 5")<br>With package: 170 × 170 × 150 mm (7" × 7" × 5.9")   |
| Weight                   | Camera: 430 g (0.9 lb.)<br>With package: 733 g (1.6 lb.)  |

## Available Model

DS-2CD2326G1-I/SL (2.8/4/6/8 mm)

## Dimension



Unit: mm(inch)

## Accessory



**DS-1273ZJ-140**  
Wall Mount



**DS-1271ZJ-140**  
Pendant Mount



**DS-1280ZJ-DM21**  
Junction Box

Distributed by



# HIKVISION®

### Headquarters

No.555 Qianmo Road, Binjiang District,  
Hangzhou 310051, China  
T +86-571-8807-5998  
overseasbusiness@hikvision.com

**Hikvision USA**  
T +1-909-895-0400  
sales.usa@hikvision.com

**Hikvision Australia**  
T +61-2-8599-4233  
salesau@hikvision.com

**Hikvision India**  
T +91-22-28469900  
sales@pramahikvision.com

**Hikvision Canada**  
T +1-866-200-6690  
sales.canada@hikvision.com

**Hikvision Thailand**  
T +662-275-9949  
sales.thailand@hikvision.com

**Hikvision Europe**  
T +31-23-5542770  
sales.eu@hikvision.com

**Hikvision Italy**  
T +39-0438-6902  
info.it@hikvision.com

**Hikvision Brazil**  
T +55 11 3318-0050  
Latam.support@hikvision.com

**Hikvision Turkey**  
T +90 [216]521 7070- 7074  
sales.tr@hikvision.com

**Hikvision Malaysia**  
T +601-7652-2413  
sales.my@hikvision.com

**Hikvision UK & Ireland**  
T +01628-902140  
sales.uk@hikvision.com

**Hikvision South Africa**  
Tel: +27 (10) 0351172  
sale.africa@hikvision.com

**Hikvision France**  
T +33(0)1-85-330-450  
info.fr@hikvision.com

**Hikvision Kazakhstan**  
T +7-727-9730667  
nikia.panfilov@hikvision.ru

**Hikvision Vietnam**  
T +84-974270888  
sales.vt@hikvision.com

**Hikvision UAE**  
T +971-4-4432090  
salesme@hikvision.com

**Hikvision Singapore**  
T +65-6684-4718  
sg@hikvision.com

**Hikvision Spain**  
T +34-91-737-16-55  
info.es@hikvision.com

**Hikvision Tashkent**  
T +99-87-1238-9438  
uzb@hikvision.ru

**Hikvision Hong Kong**  
T +852-2151-1761  
info.hk@hikvision.com

**Hikvision Russia**  
T +7-495-669-67-99  
sateru@hikvision.com

**Hikvision Korea**  
T +82-[0]31-731-8817  
sales.korea@hikvision.com

**Hikvision Poland**  
T +48-22-460-01-50  
info.pl@hikvision.com

**Hikvision Indonesia**  
T +62-21-2933759  
Sales.Indonesia@hikvision.com

**Hikvision Colombia**  
sales.colombia@hikvision.com