

## DS-2CD4B45G0-IZS(B) 4MP Smart Bullet Network Camera



### smart IPC

The smart network bullet camera DS-2CD4B45G0-IZS(B) offers 2560 × 1440 resolution, 105dB WDR, Auto-iris, PoE, Defog, EIS, 3D DNR, 6 behavior analyses, 3 exception detection, and 1 recognition to meet a wide variety of applications.

- 1/2.5" Progressive Scan CMOS
- Auto-iris
- 2560 × 1440 @ 30fps
- H.265, H.265+
- 105dB WDR
- IP67
- 6 behavior analyses, 3 exception detection, and 1 recognition



## Specifications

| <b>Camera</b>               |  |
|-----------------------------|--|
| Image Sensor                | 1/2.5" Progressive Scan CMOS   |
| Min. Illumination           | 0.007 Lux @ (F1.2, AGC ON), 0.01 Lux @ (F1.4, AGC ON)  |
| Shutter Speed               | 1 s – 1/100,000 s  |
| Slow Shutter                | Yes  |
| Lens Mount                  | Integrated   |
| Auto-iris                   | DC drive   |
| Day & Night                 | IR Cut Filter  |
| Digital Noise Reduction     | 3D DNR   |
| WDR                         | 105dB  |
| 3-Axis Adjustment (Bracket) | Pan: 0° to 360°, tilt: 0° to 90°, rotate: 0° to 360°   |
| <b>Lens</b>                 |  |
| Focal length                | 4.7 to 65.8 mm @F1.4   |
| Focus                       | Auto   |
| FOV                         | 4.7 to 65.8 mm @F1.4, horizontal FOV 58.25° to 2.90°, vertical FOV 33.60° to 1.64°, diagonal FOV 65.87° to 3.31°   |
| Lens Mount                  | Integrated   |
| <b>IR</b>                   |  |
| IR Range                    | Up to 120 m  |
| Wavelength                  | 850nm  |
| <b>Compression Standard</b> |  |
| Video Compression           | Main stream: H.265/H.264<br>Sub stream: H.265/H.264/MJPEG<br>Third stream: H.265/H.264   |
| H.264 Type                  | Baseline Profile/Main Profile/High Profile   |
| H.264+                      | Support  |
| H.265 Type                  | Main Profile   |
| H.265+                      | Support  |
| Video Bit Rate              | 32 Kbps – 16 Mbps  |
| Audio Compression           | G.711/G.722.1/G.726/MP2L2/PCM  |
| Audio Bit Rate              | 64Kbps(G.711)/16Kbps(G.722.1)/16Kbps(G.726)/32-192Kbps(MP2L2)  |
| <b>Image</b>                |  |
| Max. Resolution             | 2560 × 1440  |
| Main Stream                 | 50Hz: 25fps (2560 × 1440, 2304 × 1296, 1920 × 1080, 1280 × 960, 1280 × 720)<br>60Hz: 30fps (2560 × 1440, 2304 × 1296, 1920 × 1080, 1280 × 960, 1280 × 720)   |
| Sub Stream                  | 50Hz: 25fps (640 × 480, 640 × 360, 320 × 240)<br>60Hz: 30fps (640 × 480, 640 × 360, 320 × 240)   |
| Third Stream                | 50Hz: 25fps (1920 × 1080, 1280 × 960, 1280 × 720, 704 × 576, 640 × 480, 640 × 360, 352 × 288, 320 × 240)<br>60Hz: 30fps (1920 × 1080, 1280 × 960, 1280 × 720, 704 × 480, 640 × 480, 640 × 360, 352 × 240, 320 × 240) |
| Image Enhancement           | BLC/HLC/3D DNR/Defog/EIS   |
| Image Setting               | Rotate Mode, Saturation, Brightness, Contrast, Sharpness, AGC, White Balance adjustable by client software or web browser  |
| Region of Interest          | Support 4 fixed region for each stream, and dynamic face tracking  |

|                               |   |
|-------------------------------|---|
| Target Cropping               | Yes   |
| SVC                           | H.264 and H.265 encoding  |
| Day/Night Switch              | Day/Night/Auto/Schedule/Triggered by Alarm In   |
| Picture Overlay               | LOGO picture can be overlaid on video with 128 × 128 24bit bmp format   |
| <b>Network</b>                |   |
| Network Storage               | Support Micro SD/SDHC/SDXC card (128G), local storage and NAS (NFS,SMB/CIFS), ANR   |
| Alarm Trigger                 | Motion detection, video tampering alarm, network disconnected, IP address conflict, illegal login, HDD full, HDD error                                    |
| Protocols                     | TCP/IP, ICMP, HTTP, HTTPS, FTP, DHCP, DNS, DDNS, RTP, RTSP, RTCP, PPPoE, NTP, UPnP, SMTP, SNMP, IGMP, 802.1X, QoS, IPv6, UDP, Bonjour                     |
| Simultaneous Live View        | Up to 20 channels   |
| Client                        | iVMS-4200, iVMS-4500, iVMS-5200, Hik-connect  |
| General Function              | One-key reset, anti-flicker, three streams, mirror, heartbeat, password protection, privacy mask, watermark, IP address filter                            |
| Standard                      | ONVIF (PROFILE S, PROFILE G), ISAPI   |
| Web Browser                   | IE8+, Chrome31.0-44, Firefox30.0-51, Safari8.0+   |
| <b>Interface</b>              |   |
| Audio                         | 1 input (line in/mic in), 1 output (line out), mono   |
| Communication Interface       | 1 RJ45 10M/100M Ethernet port;<br>1 RS-485 interface  |
| Alarm                         | 1 input, 1 output (up to 24V DC, 1A or 110V AC, 500mA)  |
| Video Output                  | 1Vp-p composite output (75 Ω/BNC)   |
| On-board storage              | Built-in Micro SD/SDHC/SDXC slot, up to 128 GB  |
| Reset Button                  | Yes   |
| <b>Audio</b>                  |   |
| Environment Noise Filtering   | Support   |
| Audio Sampling Rate           | 8 kHz/16 kHz/32 kHz/44.1 kHz/48 kHz   |
| <b>Smart Feature-set</b>      |   |
| Behavior Analysis             | Line crossing detection, intrusion detection, region entrance detection, region exiting detection, unattended baggage detection, object removal detection |
| Line Crossing Detection       | Cross a pre-defined virtual line, up to 4 pre-defined virtual lines supported   |
| Intrusion Detection           | Enter and loiter in a pre-defined virtual region, up to 4 pre-defined virtual regions supported   |
| Region Entrance Detection     | Enter a pre-defined virtual region from the outside place   |
| Region Exit Detection         | Exit from a pre-defined virtual region  |
| Object Removal Detection      | Objects removed from the pre-defined region, such as the exhibits on display.   |
| Unattended Baggage Detection  | Objects left over in the pre-defined region such as the baggage, purse, dangerous materials   |
| Exception Detection           | Scene change detection, defocus detection, audio exception detection  |
| Recognition                   | Face detection  |
| Statistics                    | Counting  |
| <b>General</b>                |   |
| Operating Conditions          | -30 °C to 60 °C (-22 °F to 140 °F), Humidity 95% or less (non-condensing)   |
| Power Supply                  | 12 V DC ± 20%, PoE (802.3at, class 4), three-core terminal blocks   |
| Power Consumption and Current | 12 V DC ± 20%: Max. 12 W/1 A<br>PoE (802.3at, 42.5V-57V), 0.2 A to 0.3 A  |
| Protection Level              | IP67<br>TVS 4000V Lightning Protection, Surge Protection and Voltage Transient Protection   |

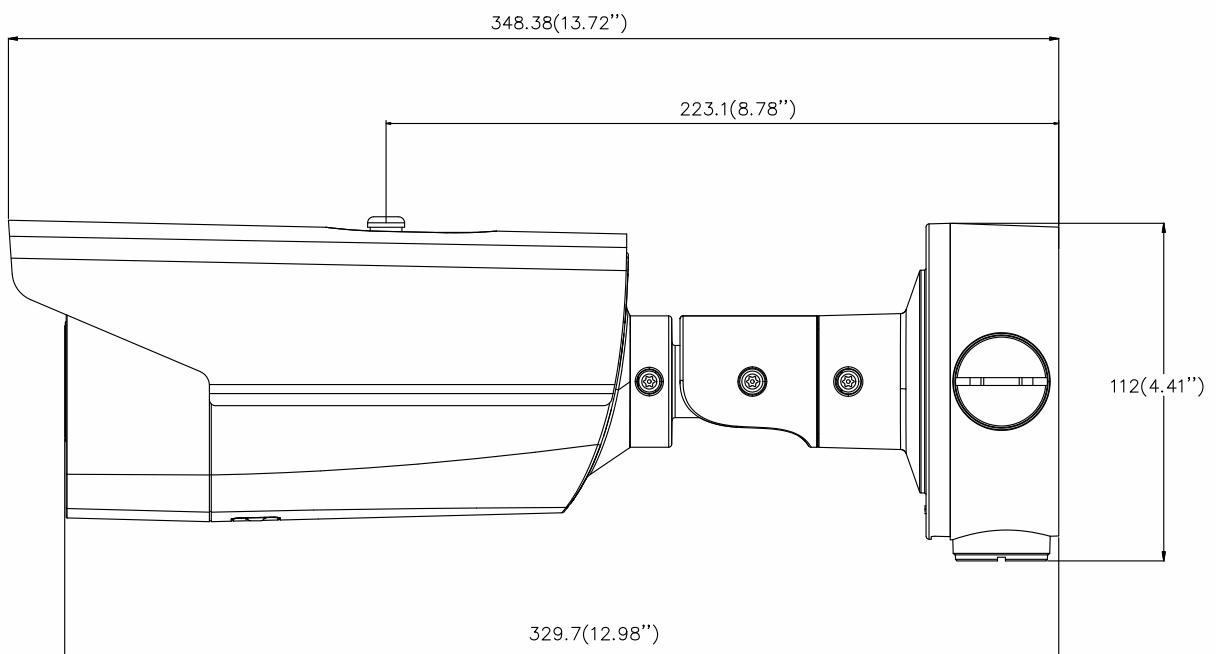
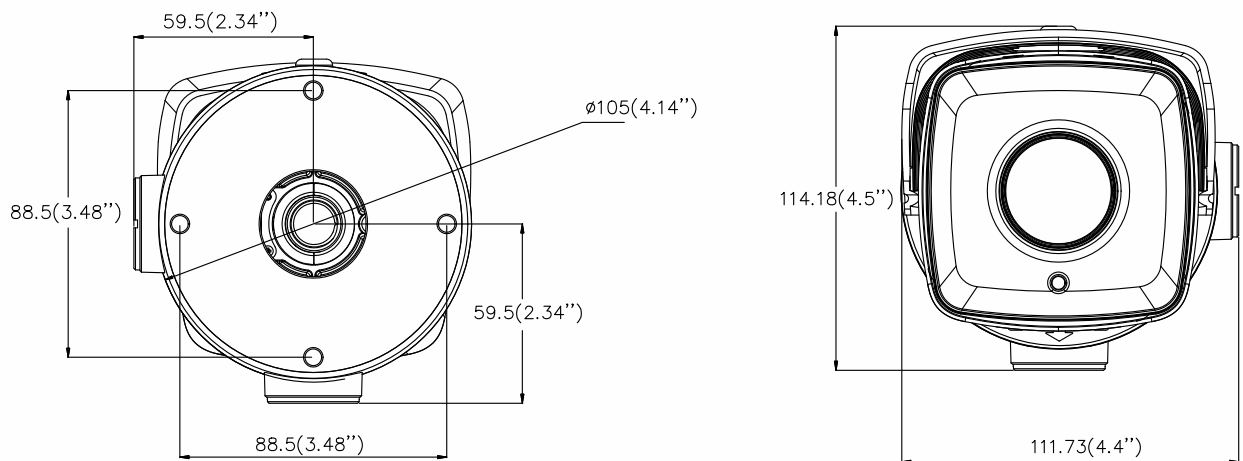
|            |   |
|------------|---|
| Dimensions | Camera: 348.38 × 114.18 × 111.73 mm (13.72" × 4.5" × 4.4")<br>With package:<br>386 × 156 × 155 mm (15.2" × 6.1" × 6.1") |
| Weight     | Camera: 1740 g (3.8 lb.)<br>With package: 2125 g (4.7 lb.)  |

**Available Models:**

DS-2CD4B45G0-IZS(B)

*(1 audio input (line in/mic in), 1 audio output, 1 RS-485, 1 alarm input and 1 alarm output)*

**Dimensions**



Unit: mm (")

Distributed by

**HIKVISION®****Headquarters**

No.555 Qianmo Road, Binjiang District,  
Hangzhou 310051, China  
T +86-571-8807-5998  
overseasbusiness@hikvision.com

**Hikvision USA**  
T +1-909-895-0400  
sales.usa@hikvision.com

**Hikvision Australia**  
T +61-2-8599-4233  
salesau@hikvision.com

**Hikvision India**  
T +91-22-28469900  
sales@pramahikvision.com

**Hikvision Canada**  
T +1-866-200-6690  
sales.canada@hikvision.com

**Hikvision Thailand**  
T +662-275-9949  
sales.thailand@hikvision.com

**Hikvision Europe**  
T +31-23-5542770  
sales.eu@hikvision.com

**Hikvision Italy**  
T +39-0438-6902  
info.it@hikvision.com

**Hikvision Brazil**  
T +55 11 3318-0050  
Latam.support@hikvision.com

**Hikvision Turkey**  
T +90 (216)521 7070- 7074  
sales.tr@hikvision.com

**Hikvision Malaysia**  
T +601-7652-2413  
sales.my@hikvision.com

**Hikvision UK & Ireland**  
T +01628-902140  
sales.uk@hikvision.com

**Hikvision South Africa**  
Tel: +27 (10) 0351172  
sale.africa@hikvision.com

**Hikvision France**  
T +33(0)1-85-330-450  
info.fr@hikvision.com

**Hikvision Kazakhstan**  
T +7-727-9730667  
nikia.panfilov@hikvision.ru

**Hikvision Vietnam**  
T +84-974270888  
sales.vt@hikvision.com

**Hikvision UAE**  
T +971-4-4432090  
salesme@hikvision.com

**Hikvision Singapore**  
T +65-6684-4718  
sg@hikvision.com

**Hikvision Spain**  
T +34-91-737-16-55  
info.es@hikvision.com

**Hikvision Tashkent**  
T +99-87-1238-9438  
uzb@hikvision.ru

**Hikvision Hong Kong**  
T +852-2151-1761  
info.hk@hikvision.com

**Hikvision Russia**  
T +7-495-669-67-99  
sateru@hikvision.com

**Hikvision Korea**  
T +82-(0)31-731-8817  
sales.korea@hikvision.com

**Hikvision Poland**  
T +48-22-460-01-50  
info.pl@hikvision.com

**Hikvision Indonesia**  
T +62-21-2933759  
Sales.Indonesia@hikvision.com

**Hikvision Colombia**  
sales.colombia@hikvision.com