

DS-2CD5028G0/E-HI DarkfighterX 2 MP Outdoor Smart Camera



DarkFighterX



smart IPC

Hikvision DarkfighterX series camera adopts the patented dual-sensor design to process color and brightness independently, and outputs one FULL-COLOR image.

- Dual-sensor, 1/2.8" Progressive Scan CMOS
- 1920 × 1080 @ 30fps
- Full-Color Image Output
- 1 RS485, 2 Alarm Inputs/Outputs, 1 Audio Input/Output
- Operating Condition: -40 °C to +60 °C (-40 °F to +140 °F)
- H.265, H.264
- Up to 100 m IR range
- IP66



Specifications

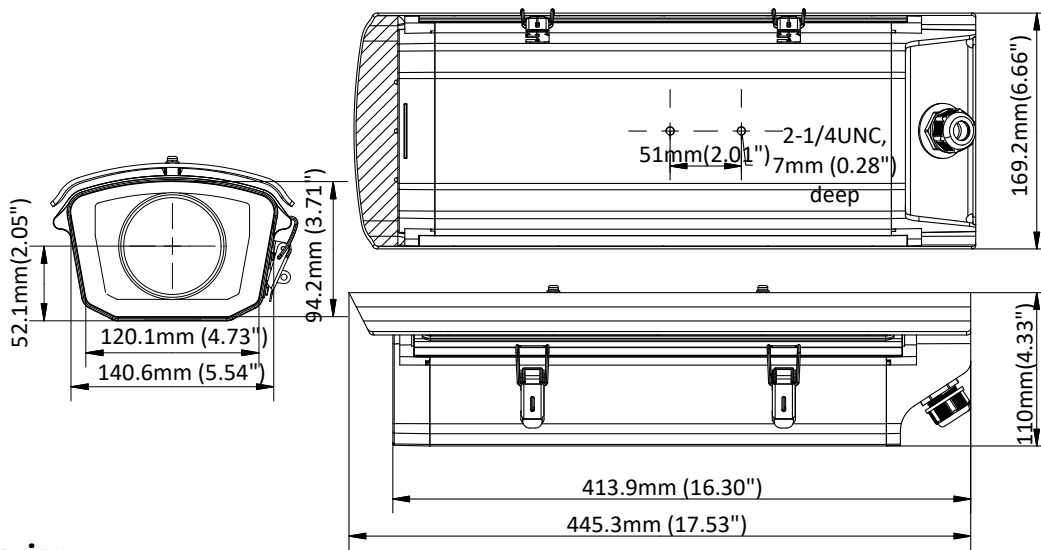
Camera	
Image Sensor	Dual-sensor, 1/2.8" Progressive Scan CMOS
Min. Illumination	Color: 0.0005 Lux @ (F1.5, AGC ON), B/W: 0.0001Lux @ (F1.5, AGC ON), 0 Lux with IR
Shutter Speed	1 s - 1/30,000 s
Slow Shutter	Support
Auto-iris	HALL driver
Day & Night	Auto
Digital Noise Reduction	3D DNR
WDR	DWDR
Lens	
Focal Length	5 to 50 mm
Aperture	F1.5 to F2.9
FOV	Horizontal field of view: 60.5° to 6.3° Vertical field of view: 34.9° to 3.54° Diagonal field of view: 68.3° to 7.3°
IR	
IR Range	Up to 100 m
Wavelength	850 nm
Compression Standard	
Video Compression	Main stream: H.265/H.264 Sub-stream: H.265/H.264/MJPEG Third stream: H.265/H.264
H.264 Type	Baseline Profile/Main Profile/High Profile
H.265 Type	Main Profile
Video Bit Rate	32 Kbps to 16 Mbps
Audio Compression	G.711/G.722.1/G.726/MP2L2/PCM
Audio Bit Rate	64Kbps(G.711)/16Kbps(G.722.1)/16Kbps(G.726)/32-192Kbps(MP2L2)
Smart Feature-set	
Behavior Analysis	Line crossing detection, intrusion detection, region entrance detection, region exiting detection, unattended baggage detection, object removal detection
Exception Detection	Scene change detection, audio exception detection, defocus detection
Face Detection	Support
Region of Interest	Support 4 fixed regions for each stream
Image	
Max. Resolution	1920 × 1080
Main Stream Max. Frame Rate	50Hz: 25fps (1920 × 1080, 1280 × 960, 1280 × 720) 60Hz: 30fps (1920 × 1080, 1280 × 960, 1280 × 720)
Sub-stream Max. Frame Rate	50Hz: 25fps (704 × 576, 640 × 480, 352 × 288) 60Hz: 30fps (704 × 480, 640 × 480, 352 × 240)
Third Stream Max. Frame Rate	50Hz: 25fps (1920 × 1080, 1280 × 960, 1280 × 720, 704 × 576, 640 × 480, 352 × 288) 60Hz: 30fps (1920 × 1080, 1280 × 960, 1280 × 720, 704 × 480, 640 × 480, 352 × 240)
Image Enhancement	BLC/ 3D DNR/Defog
Image Setting	Rotate mode, saturation, brightness, contrast, and sharpness are adjustable by client software or web browser
Day/Night Switch	Day/Night/Auto/Scheduled

Network	
Network Storage	Support Micro SD/SDHC/SDXC card (128G), local storage and NAS (NFS,SMB/CIFS), ANR
Alarm Trigger	Motion detection, video tampering alarm, network disconnected, IP address conflict, HDD full, HDD error
Protocols	TCP/IP, ICMP, HTTP, HTTPS, FTP, DHCP, DNS, DDNS, RTP, RTSP, RTCP, PPPoE, NTP, UPnP, SMTP, SNMP, IGMP, 802.1X, QoS, IPv6, Bonjour
General Function	One-key reset, anti-flicker, three streams, mirror, heartbeat, password protection, privacy mask, watermark, IP address filter
API	ONVIF (PROFILE S, PROFILE G), ISAPI
Simultaneous Live View	Up to 20 channels
User/Host	Up to 32 users 3 levels: Administrator, Operator and User
Client	iVMS-4200
Web Browser	IE8+, Chrome31-44, Firefox 30.0 - 51
Interface	
Audio	1-ch 3.5 mm input (line in), 1-ch 3.5mm output (line out),
Communication Interface	1 RJ45 10M/100M Ethernet port 1 RS-485 interface
Alarm	2 inputs, 2 outputs
Video Output	CVBS
On-board Storage	Built-in Micro SD/SDHC/SDXC slot, up to 128 GB
Reset Button	Yes
Audio	
Environment Noise Filtering	Support
Audio Sampling Rate	16kHz / 32kHz / 44.1kHz / 48kHz
General	
Operating Conditions	-40 °C to +60 °C (-40 °F to +140 °F), Humidity 95% or less (non-condensing)
Power Supply	24 VAC ± 20%, terminal block
Power Consumption and Current	24 VAC ± 20% Heater off: max. 35W/1.5A Heater on: max. 43W/1.79A
Protection Level	IP66
Material	Aluminum alloy housing, plastic sun shield
Dimensions	Camera: 445.3 × 110 × 169.2 mm (17.53" × 4.33" × 6.66")
Weight	Approx.3800 g (8.38 lb.)

Available Model:

DS-2CD5028G0/E-HI (5 to 50 mm)

Dimensions



Accessories



DS-1293ZJ
Wall mount



DS-1214ZJ-5
Horizontal pole mount



DS-1269ZJ
Pendant mount

Distributed by



HIKVISION

Headquarters

No.555 Qianmo Road, Binjiang District,
Hangzhou 310051, China
T +86-571-8807-5998
overseasbusiness@hikvision.com

Hikvision USA
T +1-909-895-0400
sales.usa@hikvision.com

Hikvision Europe
T +31-23-55-42-770
info.eu@hikvision.com

Hikvision Middle East
T +971-4-8816086
salesme@hikvision.com

Hikvision Russia
T +7-495-669-67-99
saleru@hikvision.com

Hikvision India
T +91-22-28469900
sales@pramahikvision.com

Hikvision Italy
T +39-0438-6902
info.it@hikvision.com

Hikvision France
T +33(0)1-85-330-450
info.fr@hikvision.com

Hikvision Spain
T +34-91-737-16-55
info.es@hikvision.com

Hikvision Poland
T +48-22-460-01-50
poland@hikvision.com

Hikvision UK
T +01628-902140
support.uk@hikvision.com

Hikvision Singapore
T +65-6684-4718
sg@hikvision.com

Hikvision Oceania
T +61-2-8599-4233
salesau@hikvision.com

Hikvision Canada
T +1-909-895-0400
sales.usa@hikvision.com

Hikvision Korea
T +82-31-731-8841
sales.korea@hikvision.com

Hikvision Brazil
T +55 11 3318-0050
Latam.support@hikvision.com

Hikvision Africa
T +27 (10) 0351172
sale.africa@hikvision.com

Hikvision Hong Kong
T +852-2151-1761