

## DS-2CD5526G0-IZ(H)S 2 MP Varifocal Dome Network Camera

**DarkFighter**



- 1/1.8" Progressive Scan CMOS
- 1920 × 1080 @ 60fps
- MJPEG up to 1920 × 1080 @ 30fps
- 2.8 to 12 mm/8 to 32 mm motorized lens
- Color: 0.002 Lux @ (F1.2, AGC ON), 0.004 Lux @ (F1.6, AGC ON), 0 Lux with IR
- H.265, H.265+, H.264, H.264+
- 140dB WDR
- 2.8 to 12 mm lens: IR range up to 30 m, 8 to 32 mm lens: IR range up to 50 m
- 5 streams and up to 5 custom streams
- 6 behavior analyses, 3 exception detection, and face detection
- Built-in microSD/SDHC/SDXC card slot, up to 256 GB
- Alarm 1 input/1 output
- Audio 1 input/1 output
- IP67, IK10
- Anti-IR reflection
- Metadata of intrusion detection, line crossing detection, region entrance detection, region exiting detection, unattended baggage detection, and object removal are supported.



## Function

### **Smooth Streaming**

Smooth streaming offers solutions to improve the video quality in different network conditions. For example, in poor network conditions, adapting to the detected real-time network condition, streaming bit rate and resolution are automatically adjusted to avoid mosaic and lower latency in live view; in multiplayer network conditions, the camera transmits the redundant data for the self-error correcting in back-end device, so that to solve the mosaic problem because of the packet loss and error rate.

### **Metadata**

Metadata uses individual instances of application data or the data content. Metadata can be used for third-party application development.

### **Power Protection**

The camera supports a wide voltage range of 10 VDC to 48 VDC. If the voltage instability occurs, the camera still works properly. The camera supports reverse polarity protection which can avoid the camera malfunction caused by false operation.

### **Anti-Reflection Bubble**

This anti-reflection bubble design avoids the IR reflection of the raindrop and dust on the bubble and improves the image quality.

## Specifications

| <b>Camera</b>      |   |
|--------------------|---|
| Image Sensor       | 1/1.8" Progressive Scan CMOS  |
| Min. Illumination  | Color: 0.002 Lux @ (F1.2, AGC ON), 0.004 Lux @ (F1.6, AGC ON), 0 Lux with IR  |
| Shutter Speed      | 1 s to 1/100,000 s  |
| Slow Shutter       | Yes   |
| Day & Night        | IR Cut Filter   |
| WDR                | 140 dB  |
| Angle Adjustment   | Pan: 0° to 355°, tilt: 0° to 75°, rotate: 0° to 355°  |
| <b>Lens</b>        |   |
| Lens Type          | 2.8 to 12 mm/8 to 32 mm   |
| Aperture           | 2.8 to 12 mm @ F1.2<br>8 to 32 mm @ F1.6, Constant F1.6 throughout the zoom range   |
| Focus              | Auto, semi-auto, manual   |
| FOV                | 2.8 to 12 mm, horizontal FOV 103.3° to 38.6°, vertical FOV 54.2° to 21.9°, diagonal FOV 124.2° to 44.3°<br>8 to 32 mm, horizontal FOV 42.5° to 13.4°, vertical FOV 23.4° to 7.7°, diagonal FOV 49° to 15.3° |
| Lens Mount         | Integrated  |
| <b>Illuminator</b> |   |
| IR Range           | 2.8 to 12 mm lens: up to 30 m IR<br>8 to 32 mm lens: up to 50 m IR  |
| Wavelength         | 850 nm  |
| <b>Video</b>       |   |
| Max. Resolution    | 1920 × 1080   |
| Video Stream       | 5 defined streams and up to 5 custom stream   |
| Main Stream        | 50Hz: 50fps (1920 × 1080, 1280 × 960, 1280 × 720)<br>60Hz: 60fps (1920 × 1080, 1280 × 960, 1280 × 720)  |
| Sub Stream         | 50Hz: 25fps (704 × 576, 640 × 480)<br>60Hz: 30fps (704 × 480, 640 × 480)  |
| Third Stream       | 50Hz: 25fps (1920 × 1080, 1280 × 960, 1280 × 720, 704 × 576, 640 × 480)<br>60Hz: 30fps (1920 × 1080, 1280 × 960, 1280 × 720, 704 × 480, 640 × 480)  |
| Fourth Stream      | 50Hz: 25fps (1920 × 1080, 1280 × 720, 704 × 576, 640 × 480)<br>60Hz: 30fps (1920 × 1080, 1280 × 720, 704 × 480, 640 × 480)  |
| Fifth Stream       | 50Hz: 25fps (704 × 576, 640 × 480)<br>60Hz: 30fps (704 × 480, 640 × 480)  |
| Custom Stream      | 50Hz: 25fps (1920 × 1080, 1280 × 720, 704 × 576, 640 × 480)<br>60Hz: 30fps (1920 × 1080, 1280 × 720, 704 × 480, 640 × 480)  |
| Video Compression  | Main stream: H.265/H.264/H.265+/H.264+<br>Sub stream/third stream/fourth stream/fifth stream/custom stream: H.265/H.264/MJPEG   |
| H.264 Type         | Baseline Profile/Main Profile/High Profile  |
| H.264+             | Main stream support   |
| H.265 Type         | Main Profile  |
| H.265+             | Main stream support   |
| Video Bit Rate     | 32 Kbps to 16 Mbps  |
| SVC                | H.264 and H.265 encoding  |
| <b>Audio</b>       |   |

|                          |  |
|--------------------------|--|
| Audio Compression        | G.711/G.722.1/G.726/MP2L2/PCM  |
| Audio Bit Rate           | 64Kbps(G.711)/16Kbps(G.722.1)/16Kbps(G.726)/32-192Kbps(MP2L2)/32Kbps(PCM)  |
| Environment Filtering    | Noise<br>Yes   |
| Audio Sampling Rate      | 8 kHz/16 kHz/32 kHz/44.1 kHz/48 kHz  |
| <b>Smart Feature-set</b> |  |
| Smart Event              | Line crossing detection, up to 4 lines configurable<br>Intrusion detection, up to 4 regions configurable<br>Region entrance detection, up to 4 regions configurable<br>Region exiting detection, up to 4 regions configurable<br>Unattended baggage detection, up to 4 regions configurable<br>Object removal detection, up to 4 regions configurable<br>Face detection: detects faces and upload images<br>Scene change detection, audio exception detection, defocus detection |
| Basic Event              | Motion detection, video tampering alarm, network disconnected, IP address conflict, illegal login, HDD full, HDD error   |
| Statistics               | Counting   |
| Linkage Method           | Upload to FTP/NAS/memory card, notify surveillance center, send email, trigger alarm output, trigger recording, trigger capture  |
| Region of Interest       | 4 fixed regions for main stream, sub stream, third stream, fourth stream, and fifth stream, and dynamic face tracking  |
| <b>Image</b>             |  |
| Image Enhancement        | BLC, HLC, Defog, DNR, EIS, Distortion Correction   |
| Image Setting            | Rotate mode, saturation, brightness, contrast, sharpness, AGC, and white balance are adjustable by client software or web browser  |
| Target Cropping          | Yes  |
| Day/Night Switch         | Auto/Schedule/Day/Night/Triggered by Alarm In  |
| Picture Overlay          | LOGO picture can be overlaid on video with 128 × 128 24bit bmp format  |
| <b>Network</b>           |  |
| Network Storage          | microSD/SDHC/SDXC card (up to 256 GB), local storage and NAS (NFS,SMB/CIFS), ANR<br>Together with high-end Hikvision memory card, memory card encryption and health detection are supported.   |
| Protocols                | TCP/IP, ICMP, HTTP, HTTPS, FTP, DHCP, DNS, DDNS, RTP, RTSP, RTCP, PPPoE, NTP, UPnP, SMTP, SNMP, IGMP, 802.1X, QoS, IPv6, UDP, Bonjour, SSL/TLS   |
| API                      | ONVIF (PROFILE S, PROFILE G), ISAPI, SDK   |
| Smooth Streaming         | Yes  |
| Security                 | Password protection, complicated password, HTTPS encryption, 802.1X authentication (EAP-TLS, EAP-LEAP, EAP-MD5), watermark, IP address filter, basic and digest authentication for HTTP/HTTPS, WSSE and digest authentication for ONVIF, RTP/RTSP over HTTPS, control timeout settings, security audit log, TLS 1.2  |
| Simultaneous Live View   | Up to 20 channels  |
| User/Host                | Up to 32 users, 3 levels: Administrator, Operator and User   |
| Client                   | iVMS-4200, Hik-Connect, Hik-Central  |
| Web Browser              | Plug-in required live view: IE8+, Chrome 41.0-44, Mozilla Firefox30.0-51, Safari8.0-11<br>Plug-in free live view: Chrome 45+, Mozilla Firefox52+   |
| <b>Interface</b>         |  |
| Communication Interface  | 1 RJ45 10M/100M/1000M Ethernet port  |
| Audio                    | 1 input (line in), 1 output (line out), 3.5 mm connector, mono   |
| Alarm                    | 1-ch input, 1-ch output (24 VAC/VDC, 1 A max)  |
| Video Output             | 1Vp-p composite output (75 Ω/CVBS), only for adjustment  |

|                                  |  |
|----------------------------------|--|
| Power Output                     | 12 VDC, max. 200mA   |
| Interface Style                  | Socket style interface   |
| On-board storage                 | Built-in micro SD/SDHC/SDXC slot, up to 256 GB   |
| <b>General</b>                   |  |
| Firmware Version                 | 5.5.90   |
| Web Client Language              | 32 languages<br>English, Russian, Estonian, Bulgarian, Hungarian, Greek, German, Italian, Czech, Slovak, French, Polish, Dutch, Portuguese, Spanish, Romanian, Danish, Swedish, Norwegian, Finnish, Croatian, Slovenian, Serbian, Turkish, Korean, Traditional Chinese, Thai, Vietnamese, Japanese, Latvian, Lithuanian, Portuguese (Brazil)   |
| Embedded Open Platform           | Yes. The camera supports installation and running up to 4 extra applications.  |
| General Function                 | Anti-flicker, 5 streams and up to 5 custom streams, heartbeat, mirror, password protection, privacy mask, flash log, password reset via e-mail, pixel counter  |
| Reset                            | Reset via reset button on camera body, web browser and client software   |
| Startup and Operating Conditions | -IZS: -30 °C to 65 °C (-22 °F to 149 °F), humidity 95% or less (non-condensing)<br>-IZHS: -40 °C to 65 °C (-40 °F to 149 °F), humidity 95% or less (non-condensing)  |
| Storage Conditions               | -IZS: -30 °C to 65 °C (-22 °F to 149 °F), humidity 95% or less (non-condensing)  |
| Power Supply                     | 12 VDC is recommended, 10 to 48 VDC, two-core terminal block<br>PoE (802.3at, class 4)<br>Reverse polarity protection  |
| Power Consumption and Current    | -IZHS:<br>With extra load: 12 VDC, 1.4 A, max. 17 W; PoE (802.3at, 42.5 V to 57 V), 0.4 A to 0.3 A, class 4<br>Without extra load: 12 VDC, 1.2 A, max. 15 W; PoE (802.3at, 42.5 V to 57 V), 0.4 A to 0.3 A, class 4<br>"with extra load" means that an extra device is connected to and powered by the camera.<br>-IZS:<br>With extra load: 12 VDC, 1.1 A, max. 12 W; PoE (802.3at, 42.5 V to 57 V), 0.3 A to 0.2 A, class 4<br>Without extra load: 12 VDC, 0.95 A, max. 10 W; PoE (802.3at, 42.5 V to 57 V), 0.3 A to 0.2 A, class 4<br>"with extra load" means that an extra device is connected to and powered by the camera. |
| Material                         | Metal  |
| Dimensions                       | Camera: $\Phi 162 \times 140$ mm ( $\Phi 6.4'' \times 5.5''$ )<br>With package: $251 \times 215 \times 189$ mm ( $9.9'' \times 8.5'' \times 7.4''$ )   |
| Weight                           | Camera: 1450 g (3.20 lb.)<br>With package: 1950 g (4.30 lb.)   |
| <b>Approval</b>                  |  |
| EMC                              | 47 CFR Part 15, Subpart B; EN 55032: 2015, EN 61000-3-2: 2014, EN 61000-3-3: 2013, EN 50130-4: 2011 +A1: 2014; AS/NZS CISPR 32: 2015; ICES-003: Issue 6, 2016; KN 32: 2015, KN 35: 2015  |
| Safety                           | UL 60950-1, IEC 60950-1:2005 + Am 1:2009 + Am 2:2013, EN 60950-1:2005 + Am 1:2009 + Am 2:2013, IS 13252(Part 1):2010+A1:2013+A2:2015   |
| Chemistry                        | 2011/65/EU, 2012/19/EU, Regulation (EC) No 1907/2006   |
| Protection                       | Ingress protection: IK10 (IEC 62262:2002), IP67 (IEC 60529-2013)   |

Note: Listed resolutions are only selectable options. It does not mean that all streams can work at their maximum resolution at the same time.

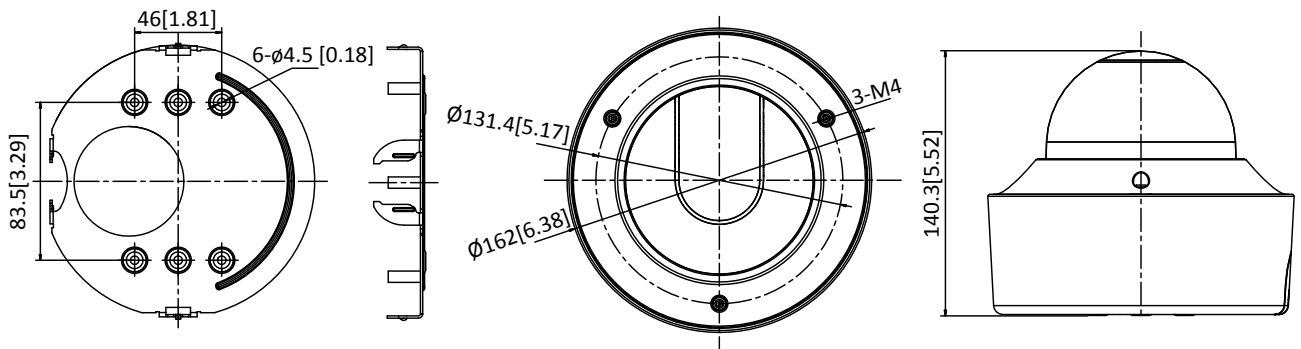
## Available Model

DS-2CD5526G0-IZS (2.8 mm to 12 mm), DS-2CD5526G0-IZHS (2.8 mm to 12 mm)

DS-2CD5526G0-IZS (8 mm to 32 mm), DS-2CD5526G0-IZHS (8 mm to 32 mm)

\*-H: heater supported

Dimension



Unit: mm[inch]

## Accessories



DS-1471ZJ-155  
Pendant Mount



DS-1473ZJ-155  
Wall Mount



DS-1475ZJ-SUS  
Vertical pole mount



DS-1476ZJ-SUS  
Corner mount



DS-DS-1227ZJ-DM42  
In-Ceiling Mount

Distributed by



## HIKVISION®

### Headquarters

No.555 Qianmo Road, Binjiang District,  
Hangzhou 310051, China  
T +86-571-8807-5998  
overseasbusiness@hikvision.com

**Hikvision USA**  
T +1-909-895-0400  
sales.usa@hikvision.com

**Hikvision Australia**  
T +61-2-8599-4233  
salesau@hikvision.com

**Hikvision India**  
T +91-22-28469900  
sales@pramahikvision.com

**Hikvision Canada**  
T +1-866-200-6690  
sales.canada@hikvision.com

**Hikvision Thailand**  
T +662-275-9949  
sales.thailand@hikvision.com

**Hikvision Europe**  
T +31-23-5542770  
sales.eu@hikvision.com

**Hikvision Italy**  
T +39-0438-6902  
info.it@hikvision.com

**Hikvision Brazil**  
T +55 11 3318-0050  
Latam.support@hikvision.com

**Hikvision Turkey**  
T +90 (216)521 7070- 7074  
sales.tr@hikvision.com

**Hikvision Malaysia**  
T +601-7652-2413  
sales.my@hikvision.com

**Hikvision UK & Ireland**  
T +01628-902140  
sales.uk@hikvision.com

**Hikvision South Africa**  
Tel: +27 (10) 0351172  
sale.africa@hikvision.com

**Hikvision France**  
T +33(0)1-85-330-450  
info.fr@hikvision.com

**Hikvision Kazakhstan**  
T +7-727-9730667  
nikia.panfilov@hikvision.ru

**Hikvision Vietnam**  
T +84-974270888  
sales.vt@hikvision.com

**Hikvision UAE**  
T +971-4-4432090  
salesme@hikvision.com

**Hikvision Singapore**  
T +65-6684-4718  
sg@hikvision.com

**Hikvision Spain**  
T +34-91-737-16-55  
info.es@hikvision.com

**Hikvision Tashkent**  
T +99-87-1238-9438  
uzb@hikvision.ru

**Hikvision Hong Kong**  
T +852-2151-1761  
info.hk@hikvision.com

**Hikvision Russia**  
T +7-495-669-67-99  
saleru@hikvision.com

**Hikvision Korea**  
T +82-(0)31-731-8817  
sales.korea@hikvision.com

**Hikvision Poland**  
T +48-22-460-01-50  
info.pl@hikvision.com

**Hikvision Indonesia**  
T +62-21-2933759  
Sales.Indonesia@hikvision.com

**Hikvision Colombia**  
sales.colombia@hikvision.com