

## DS-2CD5526G0-IZ(H)SY 2 MP IR Vari-focal Dome Network Camera

**DarkFighter**



- 1/1.8" Progressive Scan CMOS
- 1920 × 1080 @ 60fps
- 2.8 to 12 mm motor-driven lens
- Color: 0.002 Lux @ (F1.2, AGC ON)
- H.265, H.265+, H.264, H.264+
- 140dB WDR
- 3D DNR
- 2.8 to 12 mm lens: IR range up to 30 m
- Five streams and up to five custom streams
- 6 behavior analyses, 3 exception detection, and face detection
- Built-in microSD/SDHC/SDXC card slot, up to 256 GB
- Alarm I/O
- IP67, IK10
- Anti-IR reflection
- Anti-Corrosion: NEMA 4X



## Specifications

<i>Camera</i>	
Image Sensor	1/1.8" Progressive Scan CMOS
Min. Illumination	Color: 0.002 Lux @ (F1.2, AGC ON), 0 Lux with IR
Shutter Speed	1 s to 1/100,000 s
Slow Shutter	Yes
Day & Night	IR Cut Filter
Digital Noise Reduction	3D DNR
WDR	140 dB
Angle Adjustment	Pan: 0° to 355°, tilt: 0° to 75°, rotate: 0° to 355°
<i>Lens</i>	
Focal length	2.8 to 12 mm
Aperture	F1.2
Focus	Auto, semi-auto, manual
FOV	2.8 to 12 mm, horizontal FOV 103.3° to 38.6°, vertical FOV 54.2° to 21.9°, diagonal FOV 124.2° to 44.3°
Lens Mount	Integrated
<i>IR</i>	
IR Range	Up to 30 m
Wavelength	850 nm
<i>Compression Standard</i>	
Video Compression	Main stream: H.265/H.264/H.265+/H.264+ Sub stream/third stream/fourth stream/fifth stream/custom stream: H.265/H.264/MJPEG
H.264 Type	Baseline Profile/Main Profile/High Profile
H.264+	Main stream support
H.265 Type	Main Profile
H.265+	Main stream support
Video Bit Rate	32 Kbps to 16 Mbps
Audio Compression	G.711/G.722.1/G.726/MP2L2/PCM
Audio Bit Rate	64Kbps(G.711)/16Kbps(G.722.1)/16Kbps(G.726)/32-192Kbps(MP2L2)
<i>Smart Feature-set</i>	
Behavior Analysis	Line crossing detection, intrusion detection, region entrance detection, region exiting detection, unattended baggage detection, object removal detection
Exception Detection	Scene change detection, audio exception detection, defocus detection
Statistics	Counting
Face Detection	Yes
Region of Interest	4 fixed regions for main stream, sub stream, third stream, fourth stream, and fifth stream, and dynamic face tracking
<i>Image</i>	
Max. Resolution	1920 × 1080
Main Stream	50Hz: 50fps (1920 × 1080, 1280 × 960, 1280 × 720) 60Hz: 60fps (1920 × 1080, 1280 × 960, 1280 × 720)
Sub Stream	50Hz: 25fps (704 × 576, 640 × 480) 60Hz: 30fps (704 × 480, 640 × 480)

Third Stream	50Hz: 25fps (1920 × 1080, 1280 × 960, 1280 × 720, 704 × 576, 640 × 480) 60Hz: 30fps (1920 × 1080, 1280 × 960, 1280 × 720, 704 × 480, 640 × 480)
Fourth Stream	50Hz: 25fps (1920 × 1080, 1280 × 720, 704 × 576, 640 × 480) 60Hz: 30fps (1920 × 1080, 1280 × 720, 704 × 480, 640 × 480)
Fifth Stream	50Hz: 25fps (704 × 576, 640 × 480) 60Hz: 30fps (704 × 480, 640 × 480)
Custom Stream	50Hz: 25fps (1920 × 1080, 1280 × 720, 704 × 576, 640 × 480) 60Hz: 30fps (1920 × 1080, 1280 × 720, 704 × 480, 640 × 480)
Image Enhancement	BLC, HLC, Defog, EIS, 3D DNR, Lens Distortion Correction
Image Setting	Rotate mode, saturation, brightness, contrast, sharpness, AGC, and white balance are adjustable by client software or web browser
Target Cropping	Yes
SVC	H.264 and H.265 encoding
Day/Night Switch	Auto/Schedule/Day/Night/Triggered by Alarm In
Picture Overlay	LOGO picture can be overlaid on video with 128 × 128 24bit bmp format
<b>Network</b>	
Network Storage	microSD/SDHC/SDXC card (up to 256 GB), local storage and NAS (NFS,SMB/CIFS), ANR
Alarm Trigger	Motion detection, video tampering alarm, network disconnected, IP address conflict, illegal login, HDD full, HDD error
Protocols	TCP/IP, ICMP, HTTP, HTTPS, FTP, DHCP, DNS, DDNS, RTP, RTSP, RTCP, PPPoE, NTP, UPnP, SMTP, SNMP, IGMP, 802.1X, QoS, IPv6, UDP, Bonjour
Security Measures	Password protection, HTTPS encryption, IEEE 802.1x port-based network access control, IP address filter, basic and digest authentication for HTTP/HTTPS, WSSE and digest authentication for ONVIF
General Function	One-key reset, anti-flicker, five streams, custom streams, heartbeat, password protection, privacy mask, watermark, IP address filter
API	ONVIF (PROFILE S, PROFILE G), ISAPI, SDK
Simultaneous Live View	Up to 20 channels
User/Host	Up to 32 users, 3 levels: Administrator, Operator and User
Client	iVMS-4200, Hik-Connect, iVMS-5200, Hik-Central
Web Browser	IE8+, Mozilla Firefox 30.0+, Google Chrome 31.0+, Safari 8.0+ Plug-in free live view supported
<b>Interface</b>	
Audio	1-ch 3.5 mm input (line in), 1-ch 3.5mm output, mono
Communication Interface	1 RJ45 10M/100M/1000M Ethernet port
Alarm	1-ch input, 1-ch output (up to 12 VDC 1A or 10 VAC 500 mA)
Video Output	1Vp-p composite output (75 Ω/CVBS)
Power Output	12 VDC, max. 200mA (supported by all power supply types)
On-board storage	Built-in micro SD/SDHC/SDXC slot, up to 256 GB
Reset Button	Yes
<b>Audio</b>	
Environment Noise Filtering	Yes
Audio Sampling Rate	8 kHz/16 kHz/32 kHz/44.1 kHz/48 kHz
<b>General</b>	
Firmware Version	5.5.60
Operating Conditions	-IZSY: -30 °C to 60 °C (-22 °F to 140 °F), humidity 95% or less (non-condensing) -IZHSY: -40 °C to 60 °C (-40 °F to 140 °F), humidity 95% or less (non-condensing)

Power Supply	Recommended DC input 12 V, voltage range of 10 to 48 VDC allowed; three-core terminal block PoE (802.3at, class 4)
Power Consumption and Current	-IZSY: With extra load: 12 VDC, 1.1 A, max. 12 W; PoE (802.3at, 42.5 V to 57 V), 0.3 A to 0.2 A, class 4 Without extra load: 12 VDC, 0.95 A, max. 10 W; PoE (802.3at, 42.5 V to 57 V), 0.3 A to 0.2 A, class 4 -IZHSY: With extra load: 12 VDC, 1.4 A, max. 17 W; PoE (802.3at, 42.5 V to 57 V), 0.4 A to 0.3 A, class 4 Without extra load: 12 VDC, 1.2 A, max. 15 W; PoE (802.3at, 42.5 V to 57 V), 0.4 A to 0.3 A, class 4 “with extra load” means that an extra device is connected to and powered by the camera.
Protection Level	IP67, IK10 Anti-Corrosion Standard: NEMA 4X
Material	Aluminum Alloy, anti-corrosion coating
Dimensions	Camera: $\Phi 162 \times 140$ mm ( $\Phi 6.4'' \times 5.5''$ ) With package: $251 \times 215 \times 189$ mm ( $9.9'' \times 8.5'' \times 7.4''$ )
Weight	Camera: 1500 g (3.31 lb.) With package: 1950 g (4.30 lb.)

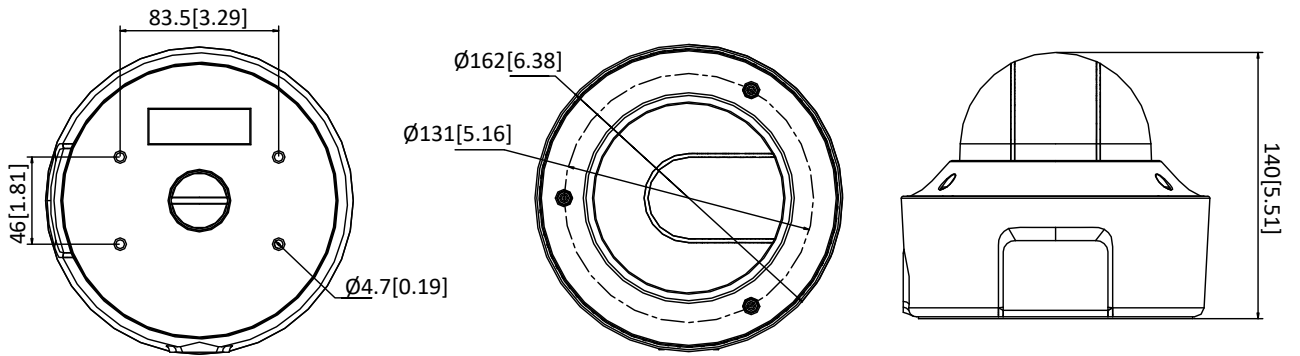
Note: Listed resolutions are only selectable options. It does not mean that all streams can work at their maximum resolution at the same time.

## Available Model

DS-2CD5526G0-IZSY (2.8 mm – 12 mm), DS-2CD5526G0-IZHSY (2.8 mm – 12 mm)

\*-H: heater supported

## Dimension



Unit: mm[inch]

## Accessories



DS-1471ZJ-155-Y



DS-1473ZJ-155-Y



DS-1475ZJ-Y



DS-1476ZJ-Y

Wall Mount

Pendant Mount

Vertical Pole Mount

Corner Mount

Distributed by

**HIKVISION®****Headquarters**

No.555 Qianmo Road, Binjiang District,  
Hangzhou 310051, China  
T +86-571-8807-5998  
overseasbusiness@hikvision.com

**Hikvision USA**  
T +1-909-895-0400  
sales.usa@hikvision.com

**Hikvision Italy**  
T +39-0438-6902  
info.it@hikvision.com

**Hikvision Singapore**  
T +65-6684-4718  
sg@hikvision.com

**Hikvision Africa**  
T +27 (10) 0351172  
sale.africa@hikvision.com

**Hikvision Europe**  
T +31-23-55-42-770  
info.eu@hikvision.com

**Hikvision France**  
T +33(0)1-85-330-450  
info.fr@hikvision.com

**Hikvision Oceania**  
T +61-2-8599-4233  
salesau@hikvision.com

**Hikvision Hong Kong**  
T +852-2151-1761

**Hikvision Middle East**  
T +971-4-8816086  
salesme@hikvision.com

**Hikvision Spain**  
T +34-91-737-16-55  
info.es@hikvision.com

**Hikvision Canada**  
T +1-909-895-0400  
sales.usa@hikvision.com

**Hikvision Russia**  
T +7-495-669-67-99  
saleru@hikvision.com

**Hikvision Poland**  
T +48-22-460-01-50  
poland@hikvision.com

**Hikvision Korea**  
T +82-31-731-8841  
sales.korea@hikvision.com

**Hikvision India**  
T +91-22-28469900  
sales@pramahikvision.com

**Hikvision UK**  
T +01628-902140  
support.uk@hikvision.com

**Hikvision Brazil**  
T +55 11 3318-0050  
Latam.support@hikvision.com