

## DS-2CD6D54G1-IZ(S)

### Quad-Directional Varifocal PanoVu Camera



- 4 adjustable lenses in one camera cover up to 360° field of view, ensuring no blind area monitoring and the monitoring tilt angle can be adjusted
- Each lens up to 5 MP, capturing clear images, and more details can be displayed on video wall
- Clear imaging against strong back light due to 120 dB true WDR technology
- Water and dust resistant (IP67) and vandal proof (IK10)
- 3D DNR technology delivers clean and sharp images
- -S: audio and alarm interface available

#### ▪ DORI

The DORI (detect, observe, recognize, identify) distance gives the general idea of the camera ability to distinguish persons or objects within its field of view. It is calculated based on the camera sensor specification and the criteria given by EN 62676-4: 2015.

| DORI            | Detect | Observe | Recognize | Identify |
|-----------------|--------|---------|-----------|----------|
| Distance (Wide) | 60 m   | 23 m    | 12 m      | 6 m      |
| Distance (Tele) | 120 m  | 47 m    | 24 m      | 12 m     |



## ▪ Specification

| Camera                      |  |
|-----------------------------|--|
| Image Sensor                | 1/2.7" Progressive Scan CMOS   |
| Min. Illumination           | Color: 0.0125 Lux @(F1.9, AGC ON)<br>B/W: 0.0025 Lux @(F1.9, AGC ON), 0 Lux with IR  |
| Shutter Speed               | 1 s to 1/100,000 s   |
| Slow Shutter                | Yes  |
| Day & Night                 | IR cut filter  |
| Angle Adjustment            | Pan: -60° to 60°, tilt: 10° to 90°, rotate: 0° to 350°   |
| WDR                         | 120 dB   |
| Lens                        |  |
| Aperture                    | F1.9   |
| Focus                       | Manual, semi-auto  |
| FOV                         | Horizontal FOV 100° to 49°, vertical FOV 72° to 36.4°, diagonal FOV 134.4° to 61.4°  |
| Lens Mount                  | Ø14  |
| Lens Type                   | Varifocal lens, 2.8 to 8 mm  |
| Illuminator                 |  |
| IR Range                    | Up to 30 m   |
| Wavelength                  | 850 nm   |
| Video                       |  |
| Max. Resolution             | 2560 × 1920  |
| Video Stream                | 3 defined streams  |
| Main Stream                 | 50 Hz: 25 fps (2560 × 1920, 2048 × 1536, 1920 × 1080, 1280 × 720)<br>60 Hz: 24 fps (2560 × 1920, 2048 × 1536, 1920 × 1080, 1280 × 720) |
| Sub-Stream                  | 50 Hz: 25 fps (704 × 576, 640 × 480)<br>60 Hz: 24 fps (704 × 480, 640 × 480)   |
| Third Stream                | 50 Hz: 6 fps (1920 × 1080, 1280 × 720, 704 × 576, 640 × 480)<br>60 Hz: 8 fps (1920 × 1080, 1280 × 720, 704 × 480, 640 × 480)           |
| Video Compression           | Main stream: H.265+/H.265/H.264+/H.264<br>Sub-stream: H.265/H.264/MJPEG<br>Third stream: H.265/H.264                                   |
| H.264 Type                  | Baseline Profile/Main Profile/High Profile   |
| H.265 Type                  | Main Profile   |
| Video Bit Rate              | 32 Kbps to 16 Mbps   |
| SVC                         | H.264 encoding   |
| H.264+                      | Main stream support  |
| H.265+                      | Main stream support  |
| Audio                       |  |
| Audio Compression           | With -S model: G.711/G.722.1/G.726/MP2L2/PCM   |
| Audio Bit Rate              | With -S model:<br>64Kbps(G.711)/16Kbps(G.722.1)/16Kbps(G.726)/32-192Kbps(MP2L2)/32Kbps(PCM)  |
| Environment Noise Filtering | With -S model: Yes   |
| Audio Sampling Rate         | With -S model: 8 kHz/16 kHz/32 kHz/44.1 kHz/48 kHz   |

| Smart Feature-Set       |   |
|-------------------------|---|
| Smart Event             | Line crossing detection, up to 4 lines configurable<br>Intrusion detection, up to 4 regions configurable<br>Region entrance detection, up to 4 regions configurable<br>Region exiting detection, up to 4 regions configurable<br>Unattended baggage detection, up to 4 regions configurable<br>Object removal detection, up to 4 regions configurable<br>Scene change detection, audio exception detection(-S), defocus detection |
| Basic Event             | Motion detection, video tampering alarm, exception (network disconnected, IP address conflict, illegal login, HDD full, HDD error)  |
| Region of Interest      | 4 fixed regions and dynamic face tracking for each stream   |
| Linkage Method          | Upload to FTP/NAS/memory card, notify surveillance center, send email, trigger alarm output, trigger recording, trigger capture   |
| Image                   |   |
| Image Enhancement       | BLC, HLC, 3D DNR, Defog, EIS  |
| Image Setting           | Rotate mode, saturation, brightness, contrast, sharpness, AGC, and white balance are adjustable by client software or web browser   |
| Target Cropping         | Yes   |
| Day/Night Switch        | Day/Night/Auto/Schedule/Triggered by Alarm In(-S)   |
| Picture Overlay         | LOGO picture can be overlaid on video with 128 × 128 24 bit bmp format  |
| SNR                     | ≥52 dB  |
| Network                 |   |
| Network Storage         | microSD/SDHC/SDXC card (128 GB), local storage and NAS (NFS,SMB/CIFS), ANR  |
| Protocols               | TCP/IP, ICMP, HTTP, HTTPS, FTP, DHCP, DNS, DDNS, RTP, RTSP, RTCP, PPPoE, NTP, UPnP, SMTP, SNMP, IGMP, 802.1X, QoS, IPv6, UDP, Bonjour   |
| API                     | Open Network Video Interface (PROFILE S, PROFILE G, PROFILE T), ISAPI, SDK, Ehome   |
| Security                | Password protection, complicated password, HTTPS encryption, 802.1X authentication (EAP-MD5), watermark, IP address filter, basic and digest authentication for HTTP/HTTPS, WSSE and digest authentication for Open Network Video Interface   |
| Simultaneous Live View  | Up to 20 channels   |
| User/Host               | Up to 32 users. 3 user levels: administrator, operator and user   |
| Client                  | iVMS-4200, Hik-Connect, Hik-Central   |
| Web Browser             | IE8+, Chrome41.0-44, Firefox30.0-51, Safari8.0-11   |
| Interface               |   |
| Communication Interface | Without -S model:<br>1 RJ45 10M/100M/1000M Ethernet port; built-in RS-232<br>With -S model:<br>1 RJ45 10M/100M/1000M Ethernet port; built-in RS-232<br>1 RS-485 interface (half duplex, HIKVISION, Pelco-P, Pelco-D, self- adaptive)  |
| Audio                   | With -S model: 1 input (line in), 1 output (line out), 3.5 mm three-contact   |
| Alarm                   | With -S model: 2 inputs, 2 outputs (max. 24 VDC, 1 A)   |
| On-board Storage        | Built-in microSD/SDHC/SDXC slot, up to 128 GB   |
| Approval                |   |
| EMC                     | 47 CFR Part 15, Subpart B; EN 55032: 2015, EN 61000-3-2: 2014, EN 61000-3-3: 2013, EN 50130-4: 2011 +A1: 2014; AS/NZS CISPR 32: 2015; ICES-003: Issue 6, 2016; KN 32: 2015, KN 35: 2015   |
| Safety                  | UL 60950-1, IEC 60950-1:2005 + Am 1:2009 + Am 2:2013, EN 60950-1:2005 + Am 1:2009 + Am 2:2013, IS 13252(Part 1):2010+A1:2013+A2:2015  |
| Chemistry               | 2011/65/EU, 2012/19/EU, Regulation (EC) No 1907/2006  |
| Protection              | IK10 (IEC 62262:2002), IP67 (IEC 60529-2013)  |

| General                          |  |
|----------------------------------|--|
| Firmware Version                 | V5.5.32  |
| Web Client Language              | 32 languages<br>English, Russian, Estonian, Bulgarian, Hungarian, Greek, German, Italian, Czech, Slovak, French, Polish, Dutch, Portuguese, Spanish, Romanian, Danish, Swedish, Norwegian, Finnish, Croatian, Slovenian, Serbian, Turkish, Korean, Traditional Chinese, Thai, Vietnamese, Japanese, Latvian, Lithuanian, Portuguese (Brazil) |
| General Function                 | Anti-flicker, 3 streams, heartbeat, mirror, privacy masks  |
| Reset                            | Reset via reset button on camera body, web browser and client software   |
| Startup and Operating Conditions | -30 °C to 60 °C (-22 °F to 140 °F), humidity 95% or less (non-condensing)  |
| Storage Conditions               | -30 °C to 60 °C (-22 °F to 140 °F), humidity 95% or less (non-condensing)  |
| Power Supply                     | 12 VDC ± 20%, reverse polarity protection; three-core terminal block<br>24 VAC ± 20%;<br>PoE (802.3at, class 4)  |
| Power Consumption and Current    | 12 VDC, 1.8 A, 22 W<br>24 VAC, 1.4 A, 22 W<br>PoE (802.3at, 42.5 to 57 VDC), 0.44 to 0.33 A, 19 W, class 4   |
| Material                         | Bubble & IR cover: plastic, camera: metal  |
| Dimensions                       | Camera: Ø250 × 114.9 mm (9.8" × 4.5")<br>With package: 336 × 261 × 293 mm (13.2" × 10.3" × 11.5")  |
| Weight                           | Camera: 2.2 kg (4.9 lb.)<br>With package: 3.9 kg (8.6 lb.)   |

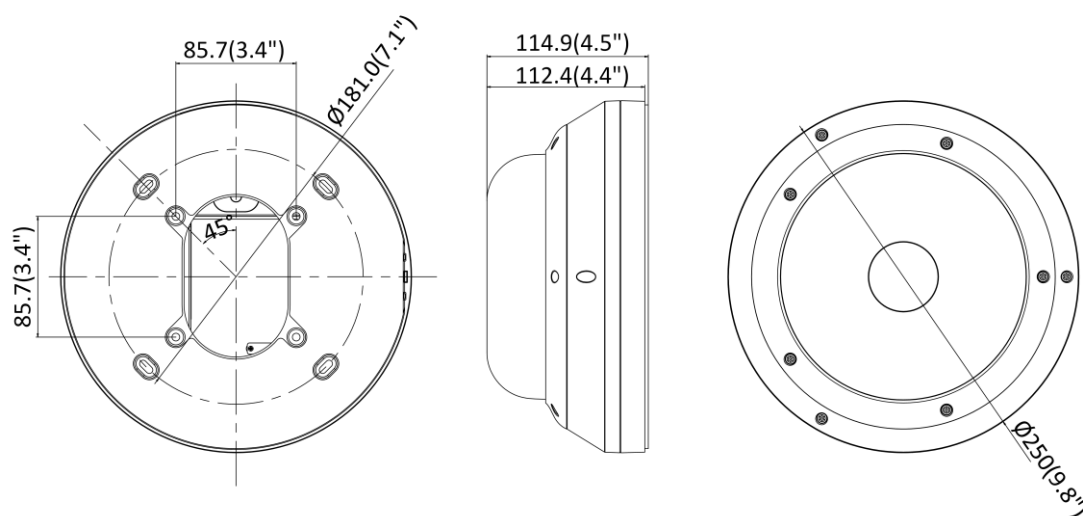
\*The VCA function can be enabled for any channel separately, or for both Camera 01 and Camera 03, or Camera 02 and Camera 04.

## ▪ Available Model

DS-2CD6D54G1-IZS(2.8 to 8 mm)

DS-2CD6D54G1-IZ(2.8 to 8 mm)

## ▪ Dimension



Unit: mm(inch)

- Accessory
- Optional



Distributed by



## HIKVISION®

### Headquarters

No.555 Qianmo Road, Binjiang District,  
Hangzhou 310051, China  
T +86-571-8807-5998  
overseasbusiness@hikvision.com

**Hikvision USA**  
T +1-909-895-0400  
sales.usa@hikvision.com

**Hikvision Australia**  
T +61-2-8599-4233  
salesau@hikvision.com

**Hikvision India**  
T +91-22-28469900  
sales@pramahikvision.com

**Hikvision Canada**  
T +1-866-200-6690  
sales.canada@hikvision.com

**Hikvision Thailand**  
T +662-275-9949  
sales.thailand@hikvision.com

**Hikvision Europe**  
T +31-23-5542770  
sales.eu@hikvision.com

**Hikvision Italy**  
T +39-0438-6902  
info.it@hikvision.com

**Hikvision Brazil**  
T +55 11 3318-0050  
Latam.support@hikvision.com

**Hikvision Turkey**  
T +90 (216)521 7070- 7074  
sales.tr@hikvision.com

**Hikvision Malaysia**  
T +601-7652-2413  
sales.my@hikvision.com

**Hikvision UK & Ireland**  
T +01628-902140  
sales.uk@hikvision.com

**Hikvision South Africa**  
Tel: +27 (10) 0351172  
sale.africa@hikvision.com

**Hikvision France**  
T +33(0)1-85-330-450  
info.fr@hikvision.com

**Hikvision Kazakhstan**  
T +7-727-9730667  
nikia.panfilov@hikvision.ru

**Hikvision Vietnam**  
T +84-974270888  
sales.vt@hikvision.com

**Hikvision UAE**  
T +971-4-4432090  
salesme@hikvision.com

**Hikvision Singapore**  
T +65-6684-4718  
sg@hikvision.com

**Hikvision Spain**  
T +34-91-737-16-55  
info.es@hikvision.com

**Hikvision Tashkent**  
T +99-87-1238-9438  
uzb@hikvision.ru

**Hikvision Hong Kong**  
T +852-2151-1761  
info.hk@hikvision.com

**Hikvision Russia**  
T +7-495-669-67-99  
saleru@hikvision.com

**Hikvision Korea**  
T +82-(0)31-731-8817  
sales.korea@hikvision.com

**Hikvision Poland**  
T +48-22-460-01-50  
info.pl@hikvision.com

**Hikvision Indonesia**  
T +62-21-2933759  
Sales.Indonesia@hikvision.com

**Hikvision Colombia**  
sales.colombia@hikvision.com