

DS-2CE10KF3T-LS 3K Smart Hybrid Light ColorVu Fixed Mini Bullet Camera



- High quality imaging with 3K, 2960 × 1665 resolution
- 24/7 color imaging with F1.0 aperture
- Smart-Hybrid light, optimize your security with flexible lighting options
- Clear imaging against strong back light due to 130 dB true WDR technology
- 3D DNR technology delivers clean and sharp images
- Up to 20 m white light and 30 m IR distance for bright night imaging
- High quality audio with audio over coaxial cable, built-in mic
- Water and dust resistant (IP67)

▪ Specification

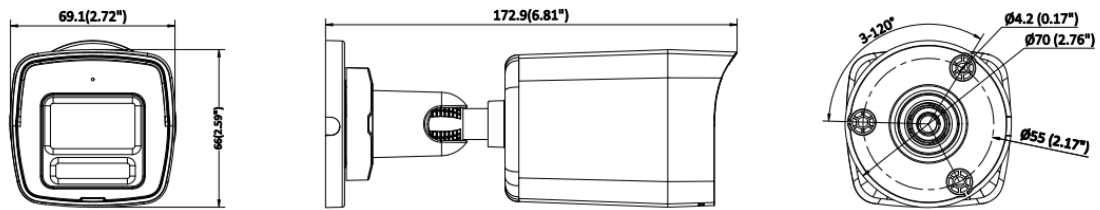
| Camera | |
|--------------------------|---|
| Image Sensor | 3 K CMOS |
| Max. Resolution | 2960 (H) × 1665 (V) |
| Min. Illumination | 0.0005 Lux @ (F1.0, AGC ON), 0 Lux with white light |
| Shutter Time | PAL: 1/25 s to 1/50,000 s; NTSC: 1/30 s to 1/50,000 s |
| Day & Night | ICR |
| Angle Adjustment | Pan: 0° to 360°, Tilt: 0° to 90°, Rotate: 0° to 360° |
| Signal System | PAL/NTSC |
| Slow Shutter | Max. 16 times |
| Lens | |
| Lens Type | 2.8 mm, 3.6 mm fixed focal lens |
| Focal Length & FOV | 2.8 mm, horizontal FOV: 112°, vertical FOV: 60°, diagonal FOV: 140° 3.6 mm, horizontal FOV: 90°, vertical FOV: 49°, diagonal FOV: 105° |
| Lens Mount | M12 |
| Illuminator | |
| Supplement Light Type | IR, White Light |
| Supplement Light Range | IR: Up to 30 m, White Light: Up to 20 m |
| Smart Supplement Light | Yes |
| Image | |
| Image Parameters Switch | STD/HIGH-SAT/HIGHLIGHT |
| Image Settings | Saturation, Brightness, Contrast, Sharpness, Anti-banding, AGC |
| Frame Rate | TVI: 3K @20 fps, 4 MP @25 fps/30 fps, 1080p @25 fps/30 fps |
| Day/Night Mode | Auto/Color/BW (Black and White) |
| Wide Dynamic Range (WDR) | ≥130 dB |
| Image Enhancement | BLC, HLC, Global, HLS, WDR |
| Privacy Mask | 4 programmable polygon privacy masks |
| Noise Reduction | 3D DNR |
| White Balance | Auto, Manual |
| Interface | |
| Video Output | 1 HD analog output |
| Built-in Microphone | Yes |
| General | |
| Power | 12 VDC ± 25%, max. 7.2 W, *You are recommended to use one power adapter to supply the power for one camera. |
| Material | Metal |
| Dimension | 179 mm × 66 mm × 69.1 mm (7.05" × 2.6" × 2.72") |
| Weight | Approx. 430 g (0.9 lb.) |
| Operating Condition | -40 °C to 60 °C (-40 °F to 140 °F). Humidity 90% or less (non-condensing) |
| Communication | HIKVISION-C |
| Language | English |
| Approval | |
| Protection | IP67 |

▪ **Available Model**

DS-2CE10KF3T-LS(2.8mm)

DS-2CE10KF3T-LS(3.6mm)





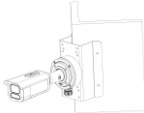

▪ **Dimension**



Unit: mm (inch)

▪ **Accessory**

▪ **Optional**

| DS-1275ZJ-SUS Vertical pole mount | DS-1276ZJ-SUS Corner mount | DS-1280ZJ-XS Junction box |
|---|---|---|
|  |  |  |
|  |  |  |

Headquarters

No.555 Qianmo Road, Binjiang District,
Hangzhou 310051, China
T +86-571-8807-5998
www.hikvision.com



Follow us on social media to get the latest product and solution information.

