



## DS-2CS5802P-C

1/4" CMOS Mobile Wide Angle Camera

### Key features:

- Clear and vivid image
- 0.1Lux
- IP68 protection level, high reliability

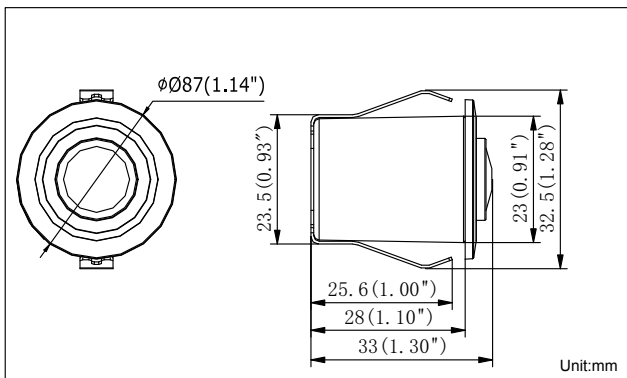
### Application:

Suitable for mobile application such as bus, taxi, etc.

### Order model:

DS-2CS5802P-C(1.15mm), DS-2CS5802N-C(1.15mm)

### Dimension:



### Parameters:

Model	DS-2CS5802P-C
Parameters	1/4" CMOS Mobile Wide Angle Camera
<b>Camera</b>	
Image Sensor	1/4" Progressive Scan CMOS
Signal System	PAL/NTSC
Effective Pixels	728(H)×560(V)
Min. illumination	0.1Lux
Shutter Time	1/25(1/30)~1/50,000sec
Lens	1.15mm@F2.0
	Angle of view: 120°
Lens Mount	M12
Day & Night	Color
Horizontal Resolution	480TVL
Synchronization	Internal synchronization
Video Output	1Vp-p Composite Output(75Ω, aviation plug)
S/N Ratio	>60dB
<b>General</b>	
Working Temperature/Humidity	-30 °C - 70 °C (-22 °F - 158 °F) Humidity 90% or less (non-condensing)
Power Supply	6-16V DC
Power Consumption	Max. 0.5W
Ingress Protection	IP68
Dimension	24×24×29.7mm(0.94"×0.94"×1.17")
Weight	50g(0.11lb)