

DS-2DE4A204IW-DE(8-32 mm) 2 MP 4 × IR Network PTZ Camera

DarkFighter



Hikvision DS-2DE4A204IW-DE (8-32mm) IR Network PTZ Camera adopt 1/1.9" progressive scan CMOS chip. With the 4 × optical zoom lens, the camera offers more details over expansive areas.

This series of cameras can be widely used for wide ranges of high-definition, such as the rivers, forests, roads, railways, airports, ports, squares, parks, scenic spots, stations and large venues.

- 1/1.9" progressive scan CMOS
- Up to 1920 × 1080 resolution
- Ultra-low light
Color: 0.002 Lux @(F1.6, AGC ON)
B/W: 0.0002 Lux @(F1.6, AGC ON)
0 Lux with IR
- 4 × optical zoom, 16 × digital zoom
- Digital Defog, EIS, WDR, 3D DNR, BLC, HLC,
- Up to 50 m IR distance
- 12 VDC & PoE (802.3at, class4)
- Support H.265+/H.265 video compression



Specifications

Camera Module	
Image Sensor	1/1.9" progressive scan CMOS
Min. Illumination	Color: 0.002 Lux @(F1.6, AGC ON) B/W: 0.0002 Lux @(F1.6, AGC ON) 0 Lux with IR
White Balance	Auto/Manual/ATW (Auto-tracking White Balance)/Indoor/Outdoor/Fluorescent Lamp/Sodium Lamp
Gain	Auto/Manual
Shutter Time	50Hz: 1 to 1/30,000 s 60Hz: 1 to 1/30,000 s
Day & Night	IR Cut Filter
Digital Zoom	16 ×
Privacy Mask	8 programmable privacy masks
Focus Mode	Auto/Semi-automatic/Manual
Lens	
Focal Length	8 mm to 32 mm, 4 × optical
Zoom Speed	Approx. 2.5 s (optical lens, wide-tele)
Field of View	Horizontal field of view: 42° to 13° (wide-tele) Vertical field of view: 25° to 8° (wide-tele) Diagonal field of view: 51° to 15° (wide-tele)
Working Distance	10 mm to 1500 mm(wide-tele)
Aperture Range	F1.6
PTZ	
Movement Range (Pan)	360° endless
Pan Speed	Configurable, from 0.1°/s to 300°/s. Preset speed: 350°/s
Movement Range (Tilt)	-5° to 90°
Tilt Speed	Configurable, from 0.1°/s to 160°/s. Preset speed: 200°/s
Proportional Zoom	Yes
Presets	300
Patrol Scan	8 patrols, up to 32 presets for each patrol
Pattern Scan	4 pattern scans, record time over 10 minutes for each scan
Power-off Memory	Yes
Park Action	Preset/Pattern Scan/Patrol Scan/Auto Scan/Tilt Scan/Random Scan/Frame Scan/Panorama Scan
PTZ Position Display	ON/OFF
Preset Freezing	Yes
Scheduled Task	Preset/Pattern Scan/Patrol Scan/Auto Scan/Tilt Scan/Random Scan/Frame Scan/Panorama Scan/Dome Reboot/Dome Adjust/Aux Output
Compression Standard	
Video Compression	Main Stream: H.265+/H.265/H.264+/H.264

	Sub-stream: H.265/H.264/MJPEG Third Stream: H.265/H.264/MJPEG H.264 with Baseline/Main/High Profile
Audio Compression	G.711alaw/G.711ulaw/G.722.1/G.726/MP2L2/PCM
SVC	Yes
Smart Features	
Basic Event	Motion Detection, Video Tampering
Smart Event	Intrusion detection, line crossing detection, region entrance detection, region exiting detection
Smart Record	ANR (Automatic Network Replenishment), Dual-VCA
Auto-tracking	Yes
ROI	Yes
IR	
IR Distance	50 m
Smart IR	Yes
IR Control	IR brightness and angle are intelligently adjustable according to the scenes.
Image	
Max. Resolution	1920 × 1080
Main Stream	50Hz: 50fps (1920 × 1080, 1280 × 960, 1280 × 720) 60Hz: 60fps (1920 × 1080, 1280 × 960, 1280 × 720)
Sub-Stream	50Hz: 25fps (704 × 576, 640 × 480, 352 × 288) 60Hz: 30fps (704 × 480, 640 × 480, 352 × 240)
Third Stream	50Hz: 25fps (1920 × 1080, 1280 × 960, 1280 × 720, 704 × 576, 640 × 480, 352 × 288) 60Hz: 30fps (1920 × 1080, 1280 × 960, 1280 × 720, 704 × 480, 640 × 480, 352 × 240)
Image Enhancement	3D DNR, BLC, HLC, WDR, Digital Defog, EIS, Regional Exposure, Regional Focus
Network	
Network Storage	Built-in memory card slot, support microSD/SDHC/SDXC, up to 128 GB; NAS (NFS, SMB/ CIFS), ANR
Alarm Linkage	Alarm actions, such as Notify Surveillance Center, Upload to FTP, Send Email, Trigger Recording, Recording Linkage, Alarm Input, etc.
Protocols	IPv4/IPv6, HTTP, HTTPS, 802.1x, Qos, FTP, SMTP, UPnP, SNMP, DNS, DDNS, NTP, RTSP, RTCP, RTP, TCP/IP, DHCP, PPPoE, Bonjour
API	ONVIF (Profile S, Profile G, Profile T), ISAPI, SDK
Simultaneous Live View	Up to 20 channels
User/Host	Up to 32 users. 3 user levels, administrator, operator and user
Security Measures	User authentication (ID and PW), Host authentication (MAC address); HTTPS encryption; IEEE 802.1x port-based network access control; IP address filtering
Client	iVMS-4200, iVMS-4500, iVMS-5200
Web Browser	IE 8 to 11, Chrome 31.0+, Firefox 30.0+, Edge 16.16299+
Interface	
Alarm	2-ch alarm input and 2-ch alarm output
Audio	1-ch audio input and 1-ch audio output

Network Interface	1 RJ45 10 M/100 M Ethernet, PoE (802.3at, class4)
General	
Language (Web Browser Access)	32 languages. English, Russian, Estonian, Bulgarian, Hungarian, Greek, German, Italian, Czech, Slovak, French, Polish, Dutch, Portuguese, Spanish, Romanian, Danish, Swedish, Norwegian, Finnish, Croatian, Slovenian, Serbian, Turkish, Korean, Traditional Chinese, Thai, Vietnamese, Japanese, Latvian, Lithuanian, Portuguese (Brazil)
Power	12 VDC, 3.33 A and PoE (802.3at), 42.5 to 57 VDC, 0.6A, Class4 Max.18 W, including Max. 5W for IR
Working Environment	Temperature: -30°C to 65°C (-22°F to 149°F), humidity: ≤ 90%
Protection Level	IP66 standard, 4000V lightning protection, surge protection and voltage transient protection
Dimension	Φ 169 mm × 161 mm (Φ 6.65" × 6.34")
Weight	Approx. 2.45 kg (5.40 lb.)

DORI

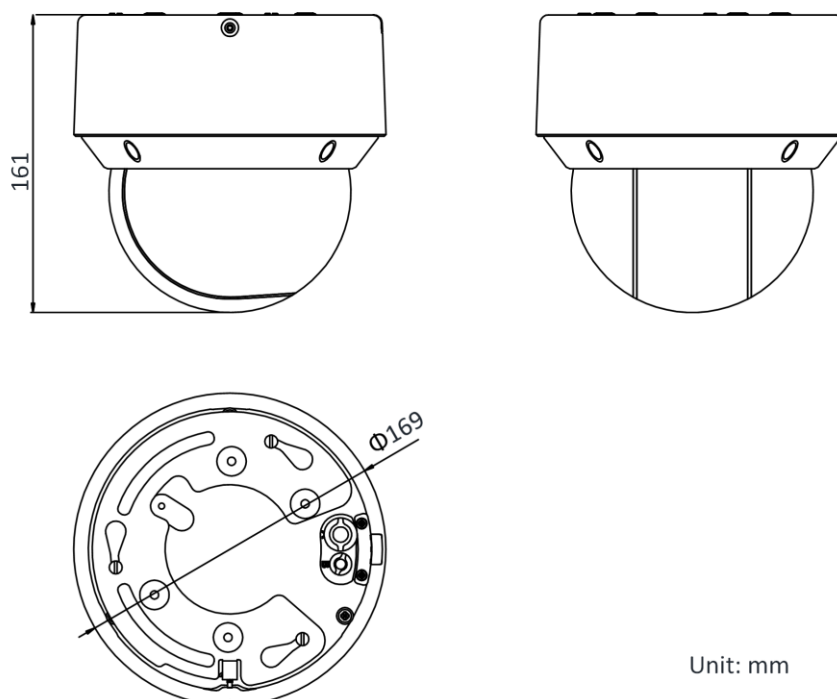
The DORI (detect, observe, recognize, identify) distance gives the general idea of the camera ability to distinguish persons or objects within its field of view. It is calculated based on the camera sensor specification and the criteria given by EN 62676-4: 2015.

DORI	Detect	Observe	Recognize	Identify
Definition	25 px/m	63 px/m	125 px/m	250 px/m
Distance (Tele)	320.0 m (1049.9 ft)	127.0 m (416.6 ft)	64.0 m (210.0 ft)	32.0 m (105.0 ft)

Available Model

DS-2DE4A204IW-DE (8-32mm)

Dimensions



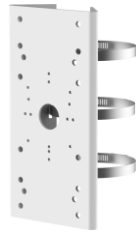
Unit: mm

Accessory

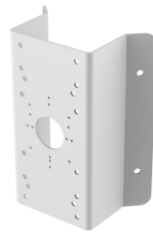
Optional



DS-1605ZJ
Wall Mount Bracket



DS-1275ZJ-SUS
Vertical Pole Mount



DS-1276ZJ-SUS
Corner Mount



DS-1691ZJ-L
Pendant Mount



DS-1691ZJ-M
Pendant Mount



DS-1691ZJ
Pendant Mount



DS-1671ZJ-SD11
In-ceiling Mount Bracket



DS-1280ZJ-SD11
Junction Box



KPL-040F-VI
Power adapter



LAS60-57CN-RJ45
Hi-PoE midspan



DS-1100KI
Network Keyboard



DS-1005KI
USB Joy-stick

Distributed by

**HIKVISION®****Headquarters**

No.555 Qianmo Road, Binjiang District,
Hangzhou 310051, China
T +86-571-8807-5998
overseasbusiness@hikvision.com

Hikvision USA
T +1-909-895-0400
sales.usa@hikvision.com

Hikvision Australia
T +61-2-8599-4233
salesau@hikvision.com

Hikvision India
T +91-22-28469900
sales@pramahikvision.com

Hikvision Canada
T +1-866-200-6690
sales.canada@hikvision.com

Hikvision Thailand
T +662-275-9949
sales.thailand@hikvision.com

Hikvision Europe
T +31-23-5542770
sales.eu@hikvision.com

Hikvision Italy
T +39-0438-6902
info.it@hikvision.com

Hikvision Brazil
T +55 11 3318-0050
Latam.support@hikvision.com

Hikvision Turkey
T +90 (216)521 7070- 7074
sales.tr@hikvision.com

Hikvision Malaysia
T +601-7652-2413
sales.my@hikvision.com

Hikvision UK & Ireland
T +01628-902140
sales.uk@hikvision.com

Hikvision South Africa
Tel: +27 (10) 0351172
sale.africa@hikvision.com

Hikvision France
T +33(0)1-85-330-450
info.fr@hikvision.com

Hikvision Kazakhstan
T +7-727-9730667
nikia.panfilov@hikvision.ru

Hikvision Vietnam
T +84-974270888
sales.vt@hikvision.com

Hikvision UAE
T +971-4-4432090
salesme@hikvision.com

Hikvision Singapore
T +65-6684-4718
sg@hikvision.com

Hikvision Spain
T +34-91-737-16-55
info.es@hikvision.com

Hikvision Tashkent
T +99-87-1238-9438
uzb@hikvision.ru

Hikvision Hong Kong
T +852-2151-1761
info.hk@hikvision.com

Hikvision Russia
T +7-495-669-67-99
saleru@hikvision.com

Hikvision Korea
T +82-(0)31-731-8817
sales.korea@hikvision.com

Hikvision Poland
T +48-22-460-01-50
info.pl@hikvision.com

Hikvision Indonesia
T +62-21-2933759
Sales.Indonesia@hikvision.com

Hikvision Colombia
sales.colombia@hikvision.com