

DS-2TD2136-25/V1 Thermal Network Bullet Camera

DeepinView^{series}



Hikvision DS-2TD2136-25/V1 Thermal Network Bullet Camera equipped with built-in GPU which support intelligent behavior analysis algorithm, can realize high precision VCA detection and real-time alarm. It is applied to perimeter defense and fire-prevention purposes in critical infrastructures such as: airport, railway, prison, power station, 4S stores, and so on. The pre-alarm system helps you discover unexpected events immediately and protects you from property loss.

Smart Function (Thermal Imaging)

- Leading image processing technology: Adaptive AGC, DDE, 3D DNR, NETD less than 40mk (@25°C, F#=1.0)
- Powerful behavior analysis function, based on deep learning algorithm: Line crossing, Intrusion, Region Entrance & Exit
- Reliable temperature exception alarm function
- Advanced fire detection algorithm

Thermal Imaging Module Function

- 384 × 288 resolution sensor, high sensitivity sensor, support contrast adjustment
- Shutter adjustment in various modes
- 3D DNR, 15 palettes of color adjustable, image detail enhancement



Specifications

| Thermal Module | |
|------------------------------|---|
| Image Sensor | Vanadium Oxide Uncooled Focal Plane Arrays |
| Max. Resolution | 384 × 288 |
| Pixel Interval | 17 μm |
| Response Waveband | 8 μm to 14 μm |
| NETD | less than 40mk (@25°C,F#=1.0) |
| Lens (Focal Length) | 25 mm |
| MRAD | 0.68 mrad |
| Field of View | 14.88° × 11.19° (H × V) |
| Min. Focusing Distance | 13 m |
| Aperture | F 1.0 |
| Smart Function | |
| VCA (Video Content Analysis) | 4 VCA rule types (Line Crossing, Intrusion, Region Entrance, and Region Exiting), up to 8 VCA rules. |
| Temperature Measurement | 3 temperature measurement rule types, 21 rules (10 points, 10 regions, and 1 line). |
| Temperature Range | -20 °C to 150 °C (-4 °F to 302 °F) |
| Temperature Accuracy | ±8 °C (14.4 °F) |
| Fire detection | Dynamic fire point detection, up to 10 fire points detectable. |
| Network | |
| Main Stream | 50fps (384×288) |
| Sub Stream | 50fps (384×288) |
| Third Stream | 50fps (384×288) |
| Video Compression | H.265/H.264/MJPEG, H.265+/H.264+ encoding with Baseline/Main/High Profile |
| Audio Compression | G.711u/G.711a/G.722.1/MP2L2/G.726/PCM |
| Protocols | IPv4/IPv6, HTTP, HTTPS, 802.1x, Qos, FTP, SMTP, UPnP, SNMP, DNS, DDNS,NTP, RTSP, RTCP, RTP, TCP, UDP, IGMP, ICMP, DHCP, PPPoE |
| Simultaneous Live View | Up to 20 |
| User/Host level | Up to 32 users, 3 levels: Administrator, Operator, User |
| Security Measures | User authentication (ID and PW), MAC address binding, HTTPS encryption, IEEE 802.1x access control, IP address filtering |
| Integration | |
| Alarm Input | 2-ch inputs (0-5V DC) |
| Alarm Output | 2-ch relay outputs, alarm response actions configurable |
| Alarm Action | Preset/Patrol Scan/Pattern Scan/SD Card Record/Relay Output/Smart capture/FTP upload/Email linkage |
| Audio Input | 1 3.5mm Mic in/Line in interface. Line input: 2-2.4V[p-p], output impedance:1KΩ±10% |

| Integration | |
|------------------------------|--|
| Audio Output | Linear Level; Impedance: 600Ω |
| Ethernet | 1 RJ45 10M/100M Self-adaptive Ethernet interface |
| SD Memory Card | Built-in Micro SD card slot, support Micro SD/SDHC/SDXC card (up to 128G), support manual/alarm recording |
| Analog Video Output | 1.0V [p-p]/75Ω, PAL/NTSC/BNC |
| Application Programming | Open-ended API, support ISAPI, HIKVISION SDK and third-party management platform |
| Client | iVMS-4200 |
| Web Browser | IE9+, chrome31-chrome44, Firefox 30-Firefox51, Safari 5.02+(mac) |
| General | |
| Menu language | English |
| Power | 24 VAC± 25%, 12 VDC± 20%, two-core terminal block PoE (802.3at, class 4) |
| Power Consumption | 24 VAC± 25%: 0.84 A, 12 VDC ± 20%: 1.7 A, max. 8W (20W with De-icing Heater On), PoE (802.3at, class 4): 42.5 V to 57 V, 0.4 A to 0.5 A |
| Working Temperature/Humidity | -40 °C to 65 °C (-40 °F to 149 °F), 90% or less |
| Protection Level | IP66 Standard TVS 6000V Lightning protection, surge protection, voltage transient protection |
| Dimensions | 314mm × 104mm × 292.7mm (12.36" × 4.09" × 11.52") |
| Weight | Approx. 2kg (4.41lb) |

Detection Range Table

* The table is only for reference, the performance may vary from camera to camera.

Smart functions Range

Different targets trigger the VCA events within different range limits.

| VCA Range (Vehicles: 1.4×4.0m) | VCA Range (Humans: 1.8×0.5m) | Temperature Measurement (Object:2×2 m) | Temperature measurement (Object:1×1 m) | Fire Detection (Object:2×2 m) | Fire Detection (Object:1×1 m) |
|--------------------------------------|------------------------------------|--|--|----------------------------------|----------------------------------|
| 750 m | 250 m | 585 m | 295 m | 1470 m | 735 m |

Wide Range Coverage

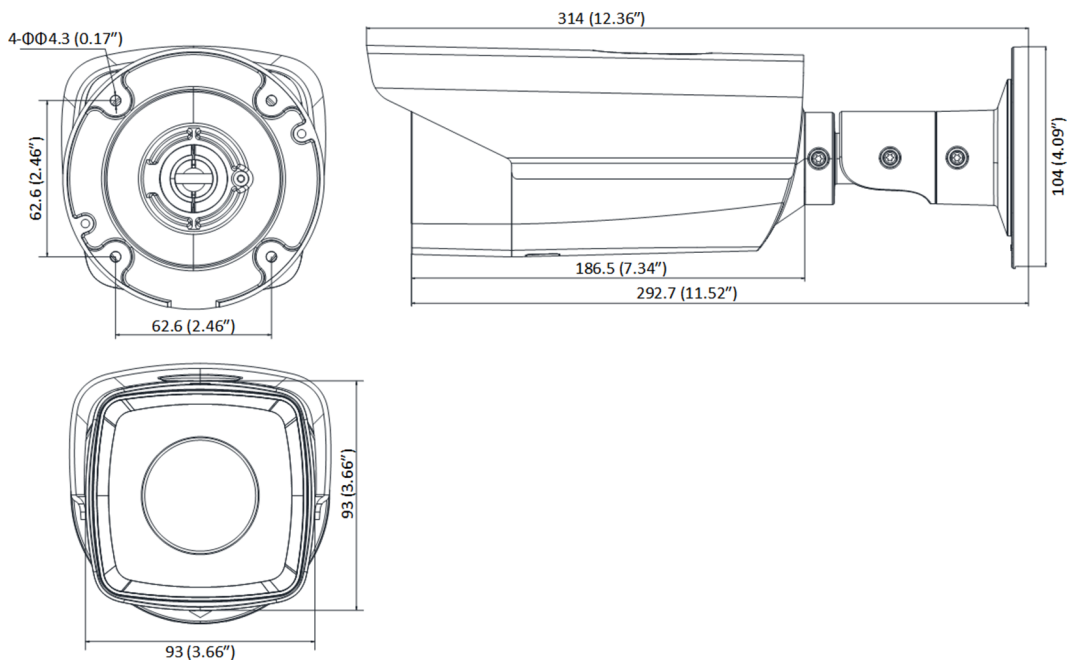
There is range limit for detecting, recognizing, and identifying human/vehicle targets.

| Detection Range (Vehicles: 1.4×4.0m) | Detection Range (Humans: 1.8×0.5m) | Recognition Range (Vehicles: 1.4×4.0m) | Recognition Range (Humans: 1.8×0.5m) | Identification Range (Vehicles: 1.4×4.0m) | Identification Range (Humans: 1.8×0.5m) |
|--|--|--|--|---|---|
| 2255 m | 735 m | 564 m | 184 m | 282 m | 92 m |

Available Model

DS-2TD2136-25/V1

Dimensions



Distributed by

**HIKVISION®****Headquarters**

No.555 Qianmo Road, Binjiang District,
Hangzhou 310051, China
T +86-571-8807-5998
overseasbusiness@hikvision.com

Hikvision USA
T +1-909-895-0400
sales.usa@hikvision.com

Hikvision Australia
T +61-2-8599-4233
salesau@hikvision.com

Hikvision India
T +91-22-28469900
sales@pramahikvision.com

Hikvision Canada
T +1-866-200-6690
sales.canada@hikvision.com

Hikvision Thailand
T +662-275-9949
sales.thailand@hikvision.com

Hikvision Europe
T +31-23-5542770
sales.eu@hikvision.com

Hikvision Italy
T +39-0438-6902
info.it@hikvision.com

Hikvision Brazil
T +55 11 3318-0050
Latam.support@hikvision.com

Hikvision Turkey
T +90 (216)521 7070- 7074
sales.tr@hikvision.com

Hikvision Malaysia
T +601-7652-2413
sales.my@hikvision.com

Hikvision UK & Ireland
T +01628-902140
sales.uk@hikvision.com

Hikvision South Africa
Tel: +27 (10) 0351172
sale.africa@hikvision.com

Hikvision France
T +33(0)1-85-330-450
info.fr@hikvision.com

Hikvision Kazakhstan
T +7-727-9730667
nikia.panfilov@hikvision.ru

Hikvision Vietnam
T +84-974270888
sales.vt@hikvision.com

Hikvision UAE
T +971-4-4432090
salesme@hikvision.com

Hikvision Singapore
T +65-6684-4718
sg@hikvision.com

Hikvision Spain
T +34-91-737-16-55
info.es@hikvision.com

Hikvision Tashkent
T +99-87-1238-9438
uzb@hikvision.ru

Hikvision Hong Kong
T +852-2151-1761
info.hk@hikvision.com

Hikvision Russia
T +7-495-669-67-99
saleru@hikvision.com

Hikvision Korea
T +82-(0)31-731-8817
sales.korea@hikvision.com

Hikvision Poland
T +48-22-460-01-50
info.pl@hikvision.com

Hikvision Indonesia
T +62-21-2933759
Sales.Indonesia@hikvision.com

Hikvision Colombia
sales.colombia@hikvision.com