


## DS-2XE6025G0-I(S)(M) 2 MP Explosion-Proof Network Bullet Camera



ATEX:  II 2GD Ex db IIC T6 Gb /Ex tb IIIC T80°C DB IP68  
IECEX: Ex db IIC T6 Gb /Ex tb IIIC T80°C Db IP68

### Key Features

- Up to 2 MP high resolution
- 4 mm/6 mm/8 mm lens optional
- 120dB Wide Dynamic Range
- H.265, H.265+, H.264, H.264+
- Three video streams
- 6 behavior analyses, 3 exception detections, and face detection
- Support on-board storage, up to 256GB
- IR range: 30 m



## Specifications

<b>Camera</b>	
Image Sensor	1/2.8" Progressive Scan CMOS
Min. Illumination	Color: 0.009 Lux @(F1.6,AGC ON) B/W: 0.004 Lux @(F1.6,AGC ON), 0 Lux with IR on
Shutter Speed	1 s to 1/100,000 s
Slow Shutter	Yes
Day & Night	IR cut filter
WDR	120 dB
Angle Adjustment	Pan: 0° to 90°, tilt: 0° to 60°
<b>Lens</b>	
Lens Type	Fixed lens, 4, 6, 8 mm
Aperture	F1.6
Focus	No
FOV	4 mm, horizontal FOV: 82.6°, vertical FOV: 43.4°, diagonal FOV: 96.6° 6 mm, horizontal FOV: 51.2°, vertical FOV: 27.2°, diagonal FOV: 59.2° 8 mm, horizontal FOV: 38.7°, vertical FOV: 21.3°, diagonal FOV: 44.8°
Lens Mount	M12
<b>Illuminator</b>	
IR Range	Up to 30 m
Wavelength	850 nm
<b>Video</b>	
Max. Resolution	1920 × 1080
Video Stream	3 defined streams
Main Stream	50Hz: 25fps (1920 × 1080, 1280 × 960, 1280 × 720) 60Hz: 30fps (1920 × 1080, 1280 × 960, 1280 × 720)
Sub Stream	50Hz: 25fps (704 × 576, 640 × 480, 352 × 288, 320 × 240) 60Hz: 30fps (704 × 480, 640 × 480, 352 × 240, 320 × 240)
Third Steam	50Hz: 25fps (1920 × 1080, 1280 × 960, 1280 × 720, 704 × 576, 640 × 480, 352 × 288, 320 × 240) 60Hz: 30fps (1920 × 1080, 1280 × 960, 1280 × 720, 704 × 480, 640 × 480, 352 × 240, 320 × 240)
Video Compression	Main stream: H.265/H.264 Sub stream: H.265/H.264/MJPEG Third stream: H.265/H.264
H.264 Type	Baseline profile/main profile/high profile
H.264+	Yes
H.265 Type	Main profile
H.265+	Yes
Video Bit Rate	32 Kbps to 16 Mbps
Scalable Video Coding (SVC)	H.264 and H.265 encoding
<b>Audio</b>	
Audio Compression	G.711/G.722.1/G.726/MP2L2/PCM
Audio Bit Rate	64Kbps(G.711)/16Kbps(G.722.1)/16Kbps(G.726)/32-192Kbps(MP2L2)/32Kbps(PCM)

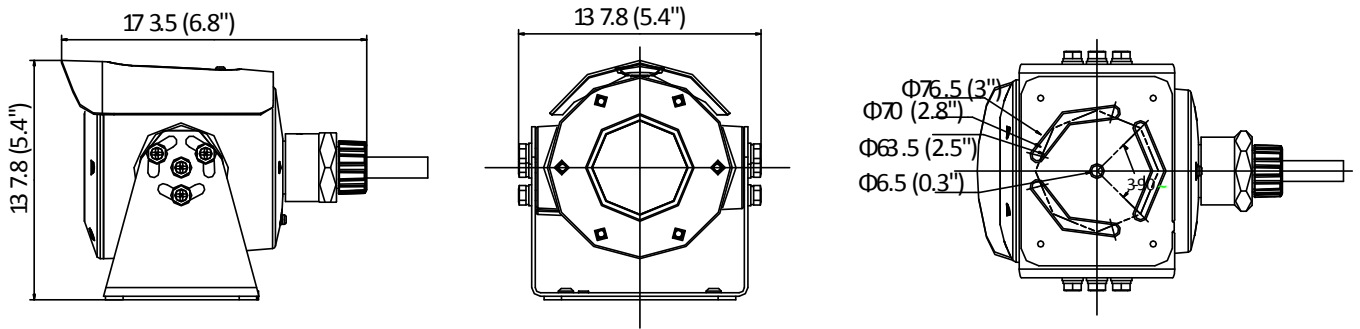
Environment Noise Filtering	Yes
Audio Sampling Rate	8 kHz/16 kHz/32 kHz/44.1 kHz/48 kHz
<b>Smart Feature-set</b>	
Smart Event	Line crossing detection, up to 4 lines configurable Intrusion detection, up to 4 regions configurable Region entrance detection, up to 4 regions configurable Region exiting detection, up to 4 regions configurable Unattended baggage detection, up to 4 regions configurable Object removal detection, up to 4 regions configurable Face detection: detects faces and upload images Scene change detection, audio exception detection, defocus detection
Basic Event	Motion detection, video tampering alarm, exception (network disconnected, IP address conflict, illegal login, HDD full, HDD error)
Linkage Method	Upload to FTP/NAS/memory card, notify surveillance center, send email, trigger alarm output, trigger recording, trigger capture
Region of Interest	4 fixed regions for main stream, sub stream, and third stream, and dynamic face tracking
<b>Image</b>	
Image Enhancement	BLC, HLC, Defog, EIS, Distortion Correction, 3D DNR
Image Settings	Rotate mode, saturation, brightness, contrast, sharpness, AGC, and white balance are adjustable by client software or web browser
Target Cropping	Yes
Day/Night Switch	Auto/Schedule/Day/Night/Triggered by Alarm In (-S)
Picture Overlay	LOGO picture can be overlaid on video with 128 × 128 24bit bmp format
<b>Network</b>	
Network Storage	microSD/SDHC/SDXC card (256 G), local storage and NAS (NFS, SMB/CIFS), ANR
Protocols	TCP/IP, ICMP, HTTP, HTTPS, FTP, DHCP, DNS, DDNS, RTP, RTSP, RTCP, PPPoE, NTP, UPnP, SMTP, SNMP, IGMP, 802.1X, QoS, IPv6, UDP, Bonjour, SSL/TLS
API	ONVIF (PROFILE S, PROFILE G), ISAPI, SDK
Security	Password protection, complicated password, HTTPS encryption, 802.1X authentication (EAP-TLS, EAP-LEAP, EAP-MD5), watermark, IP address filter, basic and digest authentication for HTTP/HTTPS, WSSE and digest authentication for ONVIF, RTP/RTSP over HTTPS, control timeout settings, security audit log, TLS 1.2
Simultaneous Live View	Up to 20 channels
User/Host	Up to 32 users, 3 levels: Administrator, Operator and User
Client	iVMS-4200, Hik-Connect, Hik-Central
Web Browser	Plug-in required live view: IE8+, Chrome 41.0-44, Mozilla Firefox 30.0-51, Safari8.0-11 Plug-in free live view: Chrome 45+, Mozilla Firefox 52+
<b>Interface</b>	
Communication Interface	-I, -IS: 1 RJ45 10M/100M self-adaptive Ethernet port -IM: 4-core aviation plug
Audio (-S)	1 input (line in), 1 output (line out), terminal block, mono sound
Alarm (-S)	1 input, 1 output (12 VDC, 30 mA)
On-board storage	Built-in micro SD/SDHC/SDXC slot, up to 256 GB
<b>General</b>	
Firmware Version	5.5.82
Web Client Language	31 languages English, Russian, Estonian, Bulgarian, Hungarian, Greek, German, Italian, Czech, Slovak, French, Polish, Dutch, Portuguese, Spanish, Romanian, Danish, Swedish, Norwegian, Finnish, Croatian, Slovenian, Serbian, Turkish, Korean, Traditional Chinese, Thai, Vietnamese, Japanese, Latvian, Lithuanian

General Function	Anti-flicker, 3 streams, heartbeat, mirror, regions of privacy mask, flash log, password reset via e-mail, pixel counter, control timeout settings
Reset	Reset via reset button on camera body, web browser and client software
Startup and Operating Conditions	-30 °C to 60 °C (-22 °F to 140 °F), humidity 95% or less (non-condensing)
Storage Conditions	-30 °C to 60 °C (-22 °F to 149 °F) Humidity 95% or less (non-condensing)
Power Supply	24 VDC, reverse polarity protection PoE: (802.3af, 36 to 57 VDC), 0.3 A to 0.2 A, max. 7.5 W -I/-IS: Ø5.5 mm coaxial power plug -IM: two-core WAGO connector
Power Consumption and Current	24 VDC, 0.3 A, max. 7.2W PoE: (802.3af, 36 to 57 VDC), 0.3 A to 0.2 A, max. 7.5 W (8 to 36 VDC supported)
Material	Aluminum alloy
Dimensions	Camera: 173.5 × 137.8 × 137.8 mm (6.8" × 5.4" × 5.4") With package: 313 × 213 × 208 mm (12.3" × 8.4" × 8.2")
Weight	Camera: 2.14 kg (4.71 lb.) With package: 2.86 kg (6.31 lb.)
<b>Approval</b>	
EMC	47 CFR Part 15, Subpart B; EN 55032: 2015, EN 61000-3-2: 2014, EN 61000-3-3: 2013, EN 50130-4: 2011 +A1: 2014; AS/NZS CISPR 32: 2015; ICES-003: Issue 6, 2016; KN 32: 2015, KN 35: 2015
Safety	UL 60950-1, IEC 60950-1:2005 + Am 1:2009 + Am 2:2013, EN 60950-1:2005 + Am 1:2009 + Am 2:2013, IS 13252(Part 1):2010+A1:2013+A2:2015
Chemistry	2011/65/EU, 2012/19/EU, Regulation (EC) No 1907/2006
Protection	Ingress protection: IK08 (IEC 62262:2002), IP68 (IEC 60529-2013) Explosion-proof: ATEX: II 2 G D Ex db IIC T6 Gb /Ex tb IIIC T80°C Db IP68 IECEx: Ex db IIC T6 Gb /Ex tb IIIC T80°C Db IP68
Automotive and Railway	EN 50155-2017 (-IS model not supported), EN 45545, E-MARK, R118

## Available Models

DS-2XE6025G0-I (4/6/8 mm), DS-2XE6025G0-IS (4/6/8 mm), DS-2XE6025G0-IM (4/6/8 mm)

**Dimension**



Unit mm (inch)

Distributed by

**HIKVISION®****Headquarters**

No.555 Qianmo Road, Binjiang District,  
Hangzhou 310051, China  
T +86-571-8807-5998  
overseasbusiness@hikvision.com

**Hikvision USA**  
T +1-909-895-0400  
sales.usa@hikvision.com

**Hikvision Italy**  
T +39-0438-6902  
info.it@hikvision.com

**Hikvision Singapore**  
T +65-6684-4718  
sg@hikvision.com

**Hikvision Africa**  
T +27 (10) 0351172  
sale.africa@hikvision.com

**Hikvision Europe**  
T +31-23-55-42-770  
info.eu@hikvision.com

**Hikvision France**  
T +33(0)1-85-330-450  
info.fr@hikvision.com

**Hikvision Oceania**  
T +61-2-8599-4233  
salesau@hikvision.com

**Hikvision Hong Kong**  
T +852-2151-1761

**Hikvision Middle East**  
T +971-4-8816086  
salesme@hikvision.com

**Hikvision Spain**  
T +34-91-737-16-55  
info.es@hikvision.com

**Hikvision Canada**  
T +1-909-895-0400  
sales.usa@hikvision.com

**Hikvision Russia**  
T +7-495-669-67-99  
saleru@hikvision.com

**Hikvision Poland**  
T +48-22-460-01-50  
poland@hikvision.com

**Hikvision Korea**  
T +82-31-731-8841  
sales.korea@hikvision.com

**Hikvision India**  
T +91-22-28469900  
sales@pramahikvision.com

**Hikvision UK**  
T +01628-902140  
support.uk@hikvision.com

**Hikvision Brazil**  
T +55 11 3318-0050  
Latam.support@hikvision.com