

**DS-3E0510HP-E****10-Port Gigabit Unmanaged Hi-PoE Switch**

DS-3E0510HP-E switches are layer 2 Hi-PoE switches, providing advanced PoE power supply technology and Gigabit networks design on the basis of high-performance access to ensure stable data upload. The switches support Hi-PoE, long range, port isolation, and PoE watchdog function.

**Key Feature**

- 6 × gigabit PoE ports, 2 × gigabit Hi-PoE ports, 1 × gigabit RJ45 port, and 1 × gigabit fiber optical port.
- IEEE 802.3at/af/bt standard for Hi-PoE ports (Max. 90 W PoE output).
- IEEE 802.3at/af standard for PoE ports (Max. 30 W PoE output).
- IEEE 802.3, IEEE 802.3u, IEEE 802.3x, IEEE 802.3ab, and IEEE 802.3z standard.
- 6 KV surge protection for PoE ports.
- Up to 300 m long-range transmission.
- PoE watchdog to auto detect and restart the cameras that do not respond.
- Port isolation to improve network security.
- Gigabit network access design.
- Wire-speed forwarding.
- Store-and-forward switching.
- Solid high-strength metal shell.
- Reliable fan-free design.

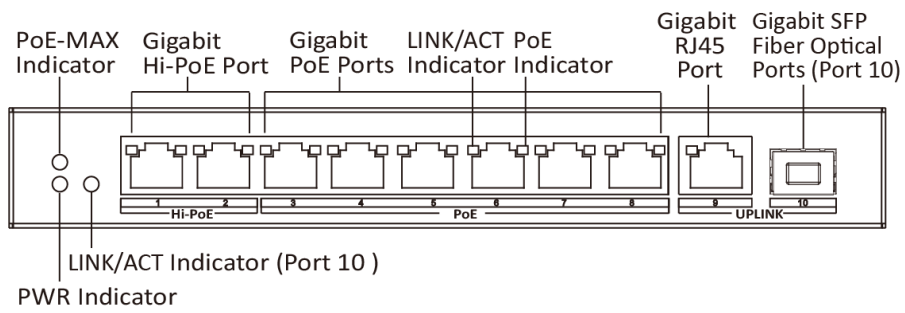


## Specification

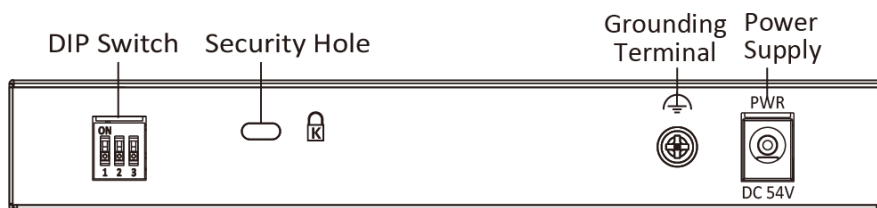
| Model              |                                      | DS-3E0510HP-E                                                                                                                                                                         |
|--------------------|--------------------------------------|---------------------------------------------------------------------------------------------------------------------------------------------------------------------------------------|
| Network parameters | Port number                          | 6 × gigabit PoE ports, 2 × gigabit Hi-PoE ports, 1 × gigabit RJ45 port, and 1 × gigabit fiber optical port                                                                            |
|                    | Port type                            | RJ45 port, full duplex, MDI/MDI-X adaptive                                                                                                                                            |
|                    | Standard                             | IEEE 802.3, IEEE 802.3u, IEEE 802.3x, IEEE 802.3ab, and IEEE 802.3z                                                                                                                   |
|                    | Forwarding mode                      | Store-and-forward switching                                                                                                                                                           |
|                    | Working mode                         | Standard mode (default), Extend mode, Isolation mode, PoE watchdog mode                                                                                                               |
|                    | Ports for long-distance transmission | Ports 7 and 8                                                                                                                                                                         |
|                    | MAC address table                    | 4 K                                                                                                                                                                                   |
|                    | Switching capacity                   | 20 Gbps                                                                                                                                                                               |
|                    | Packet forwarding rate               | 14.88 Mpps                                                                                                                                                                            |
|                    | Internal cache                       | 1.5 Mbits                                                                                                                                                                             |
| PoE power supply   | PoE standard                         | Ports 1 and 2: IEEE 802.3af, IEEE 802.3at, IEEE 802.3bt<br>Ports 3 to 8: IEEE 802.3af, IEEE 802.3at                                                                                   |
|                    | PoE power pin                        | Ports 3 to 6: Ethernet cables 1/2/3/6 provide power supply.<br>Ports 1, 2, 7 and 8: Ethernet cables 1/2/3/6 and 4/5/7/8 provide power supply simultaneously.                          |
|                    | PoE port                             | Ports 1 to 8                                                                                                                                                                          |
|                    | Hi-PoE port                          | Ports 1 and 2                                                                                                                                                                         |
|                    | Max. port power                      | Ports 1 and 2: 90 W<br>Ports 3 to 8: 30 W                                                                                                                                             |
|                    | PoE power budget                     | 110 W                                                                                                                                                                                 |
| Dialing function   | Long range                           | Ports 7 and 8: up to 300 m; and the speed rate of the port is 10 Mbps.                                                                                                                |
|                    | Port isolation                       | Ports 1 to 8: port isolation mode to improve network security.                                                                                                                        |
|                    | PoE watchdog                         | Ports 1 to 8: auto detect and restart the cameras that do not respond.                                                                                                                |
| General            | Shell                                | Metal material, fan-free design                                                                                                                                                       |
|                    | Net Weight                           | 0.59 kg (1.30 lb)                                                                                                                                                                     |
|                    | Dimension (L × H × D)                | 217.6 mm × 108.55 mm × 27.8 mm (8.57" × 4.27" × 1.09")                                                                                                                                |
|                    | Operating temperature                | -10 °C to 40 °C (14 °F to 104 °F)                                                                                                                                                     |
|                    | Storage temperature                  | -40 °C to 85 °C (-40 °F to 185 °F)                                                                                                                                                    |
|                    | Operating humidity                   | 5% to 95% (no condensation)                                                                                                                                                           |
|                    | Storage humidity                     | 5% to 95% (no condensation)                                                                                                                                                           |
|                    | Power supply                         | 54 VDC, 2.22 A                                                                                                                                                                        |
|                    | Power consumption in idle            | < 10 W                                                                                                                                                                                |
|                    | Max. power consumption               | 120 W                                                                                                                                                                                 |
|                    | Power source                         | 120 W                                                                                                                                                                                 |
| Approval           | EMC                                  | FCC (47 CFR Part 15, Subpart B); CE-EMC (EN 55032: 2015, EN 61000-3-2: 2014, EN 61000-3-3: 2013, EN 55024: 2010 +A1: 2015); RCM (AS/NZS CISPR 32: 2015); IC (ICES-003: Issue 6, 2016) |
|                    | Safety                               | UL (UL 60950-1); CB (IEC 60950-1:2005 + Am 1:2009 + Am 2:2013); CE-LVD (EN 60950-1:2005 + Am 1:2009 + Am 2:2013)                                                                      |
|                    | Chemistry                            | CE-RoHS (2011/65/EU); WEEE (2012/19/EU); Reach (Regulation (EC) No 1907/2006)                                                                                                         |

## Physical Interface

Front panel:



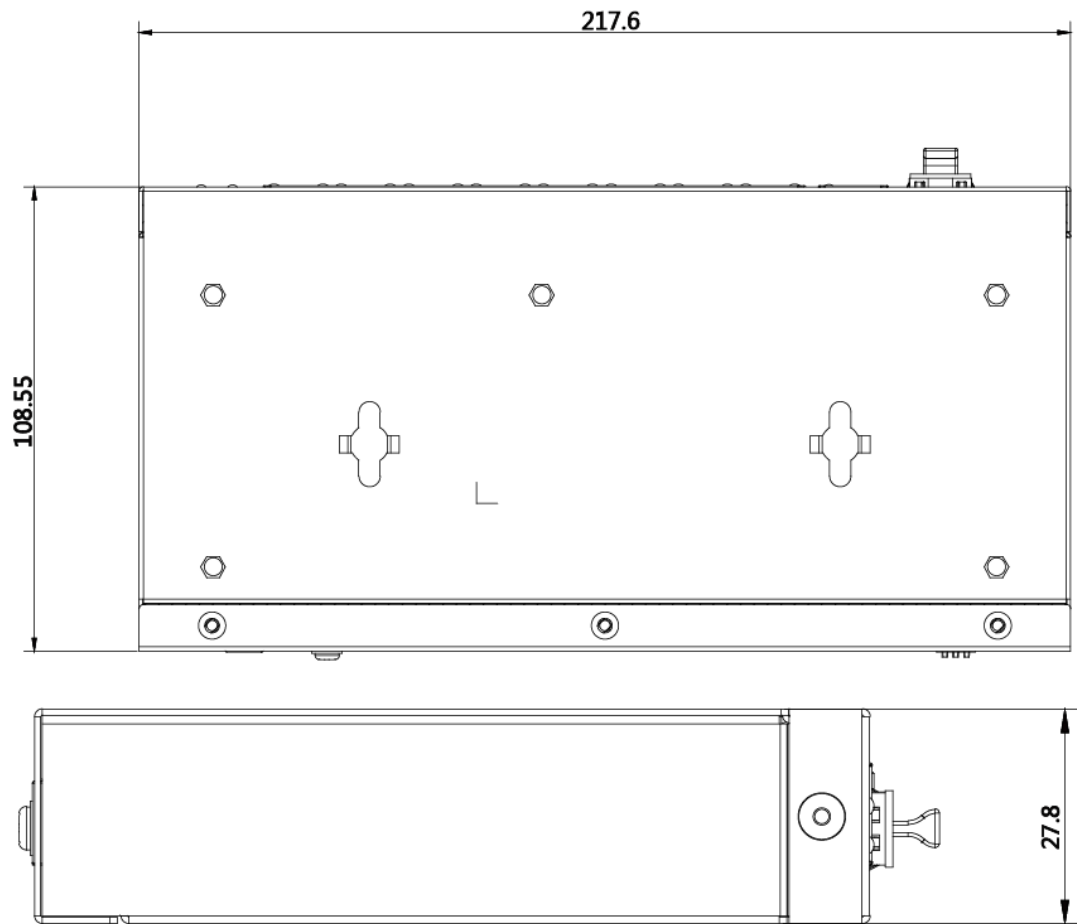
Back panel:



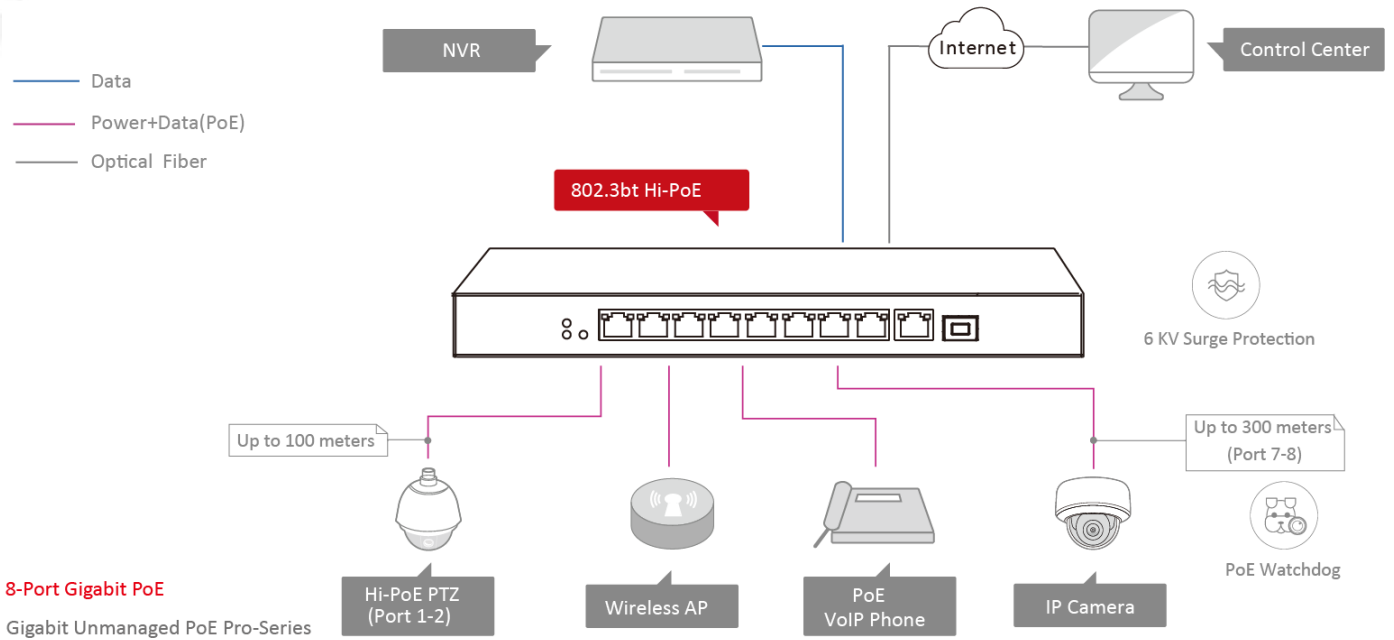
## Available Model

DS-3E0510HP-E

Dimension (unit: mm)



## Typical Application



Distributed by



## HIKVISION®

### Headquarters

No.555 Qianmo Road, Binjiang District,  
Hangzhou 310051, China  
T +86-571-8807-5998  
overseasbusiness@hikvision.com

**Hikvision USA**  
T +1-909-895-0400  
sales.usa@hikvision.com

**Hikvision Australia**  
T +61-2-8599-4233  
salesau@hikvision.com

**Hikvision India**  
T +91-22-28469900  
sales@pramahikvision.com

**Hikvision Canada**  
T +1-866-200-6690  
sales.canada@hikvision.com

**Hikvision Thailand**  
T +662-275-9949  
sales.thailand@hikvision.com

**Hikvision Europe**  
T +31-23-5542770  
sales.eu@hikvision.com

**Hikvision Italy**  
T +39-0438-6902  
info.it@hikvision.com

**Hikvision Brazil**  
T +55 11 3318-0050  
Latam.support@hikvision.com

**Hikvision Turkey**  
T +90 (216)521 7070- 7074  
sales.tr@hikvision.com

**Hikvision Malaysia**  
T +601-7652-2413  
sales.my@hikvision.com

**Hikvision UK & Ireland**  
T +01628-902140  
sales.uk@hikvision.com

**Hikvision South Africa**  
Tel: +27 (10) 0351172  
sale.africa@hikvision.com

**Hikvision France**  
T +33(0)1-85-330-450  
info.fr@hikvision.com

**Hikvision Kazakhstan**  
T +7-727-9730667  
nikia.panfilov@hikvision.ru

**Hikvision Vietnam**  
T +84-974270888  
sales.vt@hikvision.com

**Hikvision UAE**  
T +971-4-4432090  
salesme@hikvision.com

**Hikvision Singapore**  
T +65-6684-4718  
sg@hikvision.com

**Hikvision Spain**  
T +34-91-737-16-55  
info.es@hikvision.com

**Hikvision Tashkent**  
T +99-87-1238-9438  
uzb@hikvision.ru

**Hikvision Hong Kong**  
T +852-2151-1761  
info.hk@hikvision.com

**Hikvision Russia**  
T +7-495-669-67-99  
saleru@hikvision.com

**Hikvision Korea**  
T +82-[0]31-731-8817  
sales.korea@hikvision.com

**Hikvision Poland**  
T +48-22-460-01-50  
info.pl@hikvision.com

**Hikvision Indonesia**  
T +62-21-2933759  
Sales.Indonesia@hikvision.com

**Hikvision Colombia**  
sales.colombia@hikvision.com