

## DS-3WAP622E-SI Wi-Fi 6 3000M Ceiling Access Point

DS-3WAP622E-SI is an indoor 802.11ax AP product with dual-frequency four-flow design, which meets the wireless coverage requirements of small, medium and micro enterprises.

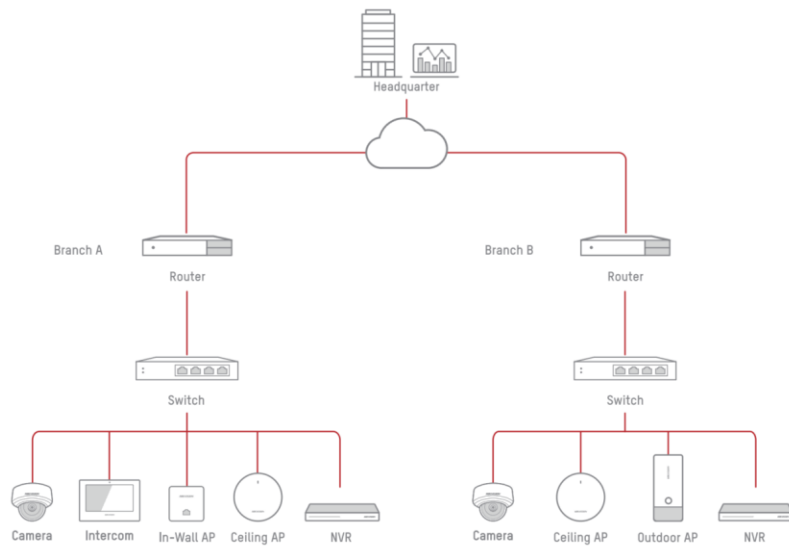
- 1 × 2.5 Gigabit Port with PoE Input
- 802.11ax Wi-Fi 6 2975 Mbps
- 100+ Concurrent User Connections
- Auto RF Optimization
- Support Intelligent Fast Roaming

## ▪ Specification

| General                        |   |
|--------------------------------|---|
| Weight                         | 0.38 kg (0.83 lb)   |
| Installation Mode              | Desk-Mounted,Wall-Mounted,Ceiling Mounting  |
| Working Temperature            | 0 °C to 45 °C (32 °F to 113 °F)   |
| Working Humidity               | 5% to 95% (no condensation)   |
| Storage Temperature            | -40 °C to 70 °C (-40 °F to 158 °F)  |
| Storage Humidity               | 5% to 95% (no condensation)   |
| Product Dimensions (W × H × D) | 220 mm × 220 mm × 39 mm (8.66" × 8.66" × 1.53")   |
| Packing List                   | 3000 M Access Point ×1, Screw Pack × 1, Quick Start Guide ×1, Regulatory Compliance and Safety Information × 1  |
| Power Consumption              | Max. 13.5 W   |
| WLAN Parameters                |   |
| Maximum Number of Clients      | 256   |
| Recommended Number of Clients  | 100   |
| Maximum Number of SSIDs        | 8   |
| Working Frequency Band         | radio 1: 5G(11a/n/ac/ax), radio 2: 2.4G(11b/g/n/ax)   |
| Wi-Fi Standards                | Wi-Fi 6   |
| Wi-Fi Speed                    | 2.4 GHz: 575 Mbps,5 GHz: 2400 Mbps  |
| Spatial Streams                | 2.4 GHz, 2 × 2 , MU-MIMO, 5 GHz, 2 × 2 , MU-MIMO  |
| Channel Width                  | 2.4 GHz: Auto/20 /40 MHz,5 GHz: Auto/20 /40 /80/160 MHz   |
| Number of Antennas             | 2.4GHz: 2; 5GHz: 2  |
| Antenna Type                   | Built-in omnidirectional antennas   |
| Antenna Gain                   | 2.4 GHz: 3 dBi, 5 GHz: 4 dBi  |
| Transmit Power                 | 20 dBm  |
| Modulation Technology          | OFDM: BPSK@6/9Mbps, QPSK@12/18Mbps, 16-QAM@24Mbps, 64-QAM@48/54Mbps; DSSS: DBPSK@1Mbps, DQPSK@2Mbps, CCK@5.5/11Mbps; MIMO-OFDM (11n): MCS 0-15; MIMO-OFDM (11ac): MCS 0-9; MIMO-OFDM (11ax): MCS 0-11   |
| Software Specifications        |   |
| WLAN Security                  | WAP-PSK,WAP2-PSK,WPA-WAP2-PSK,WAP3, Blocklist & Allowlist,Support Multiple encryption key triggered dynamic unicast/multicast key update,Support Open system/shared key authentication,Support wireless endpoint access,Support 802.11i,Support SSID and VLAN binding |
| Management & Maintenance       | Centralized AC management   |
| Version Upgrade                | upgrade on AC Web   |
| Hardware Specifications        |   |
| Interface                      | 1 × 2.5 Gigabit RJ45 uplink port  |
| Power Supply                   | IEEE 802.3af/at POE, 12 VDC 1.5 A   |
| LED Indicator                  | Yellow/green/blue for different working states, flashing mode   |
| Reset Button                   | Hardware Resetting Button   |
| Approval                       |   |
| EMC                            | CE-EMC (EN 55032: 2015+A11: 2020, EN IEC 61000-3-2: 2019, EN 61000-3-3: 2013+A1: 2019, EN 50130-4: 2011+A1: 2014, EN 55035: 2017+A11: 2020)   |

|           |  |
|-----------|--|
| Safety    | CB (AMD1:2009, AMD2:2013, IEC 62368-1: 2014 (Second Edition), CE-LVD (EN 62368-1: 2014+A11: 2017), UL (UL 60950-1) |
| Chemistry | CE-RoHS (2011/65/EU), WEEE (2012/19/EU), Reach (Regulation (EC) No.1907/2006)                                      |
| Radio     | EN 301 893, EN 300 440, EN 62311, EN 301 489-3, E N 301 489-17   |

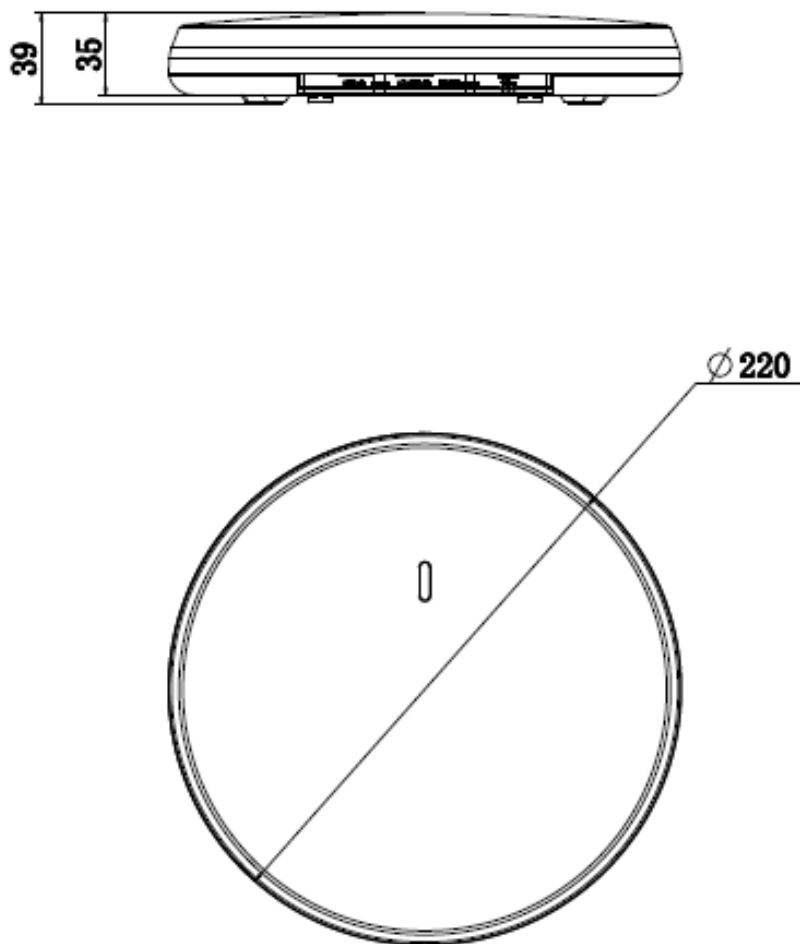
▪ **Typical Application**



▪ **Available Model**

DS-3WAP622E-SI

▪ **Dimension**



**Headquarters**

No.555 Qianmo Road, Binjiang District,  
Hangzhou 310051, China  
T +86-571-8807-5998  
www.hikvision.com



Follow us on social media to get the latest product and solution information.

