

**DS-3WF5000-SI-5ACG/2P**  
**5Ghz 867Mbps 5KM Wireless Bridge Kit**



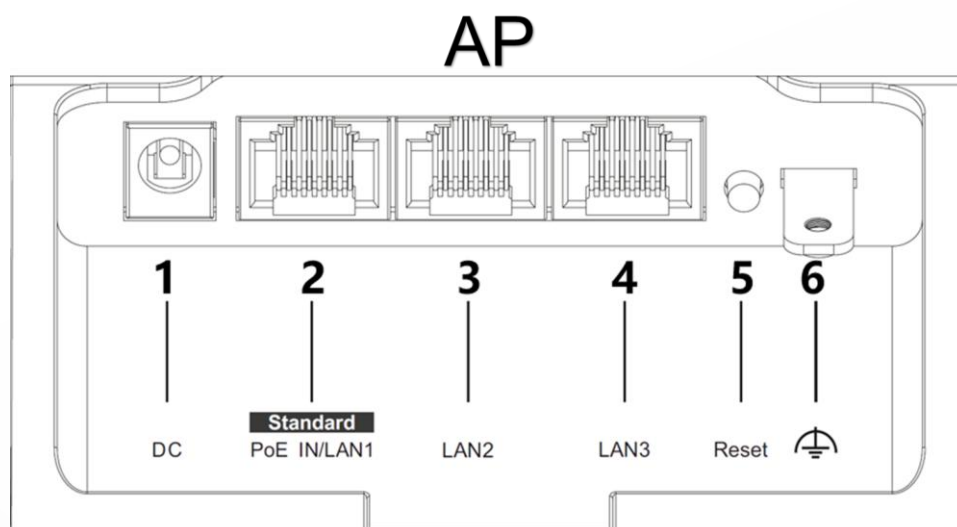
- Up to 5 km wireless transmission distance
- 867 Mbps 802.11ac wireless bridge
- Built-in 16 dBi 2 x 2 MIMO antenna
- Visualized topology management
- Standard PoE Input & Output
- Plug and Play

## ▪ Specification

| Wireless Parameter                      |   |
|---|---|
| Max. Transmission Rate of Air Interface | ≤ 867 Mbps  |
| Wireless Standard                       | IEEE 802.11/a/n/ac  |
| Working Frequency Band                  | 5150 MHz ~ 5250 MHz, 5250 MHz~ 5350 MHz, 5470 MHz~ 5725 MHz, 5725 MHz~ 5825 MHz   |
| Antenna Gain                            | 16 dBi  |
| Antenna Angle                           | (H) Beamwidth [3 dB] 32° (V) Beamwidth [3 dB] 17°   |
| Transmitting Power                      | 29 dBm @11ac 80MHz MCS0 (Note: Transmitting power may vary with local regulations.)   |
| Receiving Sensitivity                   | -88 ±2dBm@AC80-MCS0   |
| Throughput Rate                         | PTP:290 Mbps/1 KM(AC80), 270 Mbps/3 KM(AC80), 250 Mbps/5 KM(AC80); PTMP(1 to 8): 150 Mbps/5KM(AC80)   |
| General                                 |   |
| Product Dimensions (W × H × D)          | 134.21 mm × 235.00 mm × 58.73 mm (5.28" × 9.25" × 2.31")  |
| Package Dimensions (W × H × D)          | 341 mm × 360 mm × 100 mm (13.43" × 14.17" × 3.94")  |
| Net Weight                              | 0.54 kg (1.19 lb) per device  |
| Gross Weight                            | 2.76 kg (6.08 lb)   |
| Packing List                            | Wireless Bridge x 2, PoE Adapter (48.0V, 1.0A) x 2, Power Cord x 2, Universal Joint Nut x 2, Universal Joint x 2, Mounting Bracket x 2, Screw Pack x 2, Hose Clamp x 2, Quick Start Guide x 1, Regulatory Compliance and Safety Information x 1 |
| Packing Method                          | Packing in pairs  |
| Working Temperature                     | -30 °C to 65 °C (-22 °F to 149 °F)  |
| Working Humidity                        | 5% to 95% (no condensation)   |
| Storage Temperature                     | -40 °C to 80 °C (-40 °F to 176 °F)  |
| Storage Humidity                        | 5% to 95% (no condensation)   |
| Installation Mode                       | Wall Mounting, Pole Mounting  |
| Ingress Protection                      | IP55  |
| Power Consumption                       | 3.5 W for typical (1-ch 2MP IPC), Max. 7.7 W  |
| PoE Power Supply                        |   |
| PoE Port                                | AP: LAN1 802.3af/at PoE IN; CPE: LAN1 passive PoE IN, LAN2 802.3 af PoE OUT, LAN3 802.3 af PoE OUT  |
| PoE Power Budget                        | 40W   |
| Max. Port Power                         | 28W   |
| PoE Distance                            | 100 m   |
| Hardware Parameter                      |   |
| Network Interface                       | 3 × 100/1000 Mbps RJ45 ports  |
| LED Indicator                           | Power indicator, LAN indicator, Signal intensity indicator  |
| Reset                                   | Hardware resetting button   |
| Power Supply                            | 48V PoE/12~24V DC; Check the physical interface image below for more details.   |
| Software Function                       |   |
| Application Function                    | IFM, IPM, DFS, TPC  |
| Channel Width                           | 20/40/80 MHz  |
| Channel Selection                       | Auto/manual selection   |
| Security Mode                           | WPA2-PSK  |

|                    |  |
|--------------------|--|
| Security Mechanism | Wireless network name hidden   |
| Network Protocol   | NTP (network time synchronization), SADP (auto search for IP address), HTTPS/HTTP (web management), SSH (debugging)  |
| Management Method  | HCP, Web, iVMS-4200, HPP   |
| System Log         | Syslog, Control center information   |
| Upgrade            | Web, iVMS-4200, HCP, HPP   |
| HPP                | Support one-click activation and remote management via Hik-Partner Pro. Functions supported:<br><ol style="list-style-type: none"> <li>1. Reboot device</li> <li>2. Restore device</li> <li>3. Display the topology information</li> <li>4. Display the connection status between AP and CPEs, including signal intensity, background noise, sending &amp; receiving rate.</li> <li>5. Configure wireless settings, including working mode, SSID, password, channel, channel bandwidth, transmitting power</li> <li>6. Bridge alignment</li> <li>7. Spectrum scanning</li> <li>8. PoE output management</li> </ol> |
| <b>Approval</b>    |  |
| EMC                | CE-EMC (EN 55032: 2015+A11: 2020, EN IEC 61000-3-2: 2019, EN 61000-3-3: 2013+A1: 2019, EN 50130-4: 2011+A1: 2014, EN 55035: 2017+A11: 2020), IC (ICES-003: Issue 7:2020), RCM (AS/NZS CISPR 32: 2015)  |
| Safety             | CB (AMD1:2009, AMD2:2013, IEC 62368-1: 2014 (Second Edition)), CE-LVD (EN 62368-1: 2014+A11: 2017)   |
| Chemistry          | CE-RoHS (2011/65/EU), WEEE (2012/19/EU), Reach (Regulation (EC) No.1907/2006)  |
| Radio              | EN 301 893, EN 300 440, EN 62311, EN 301 489-3, EN 301 489-17  |

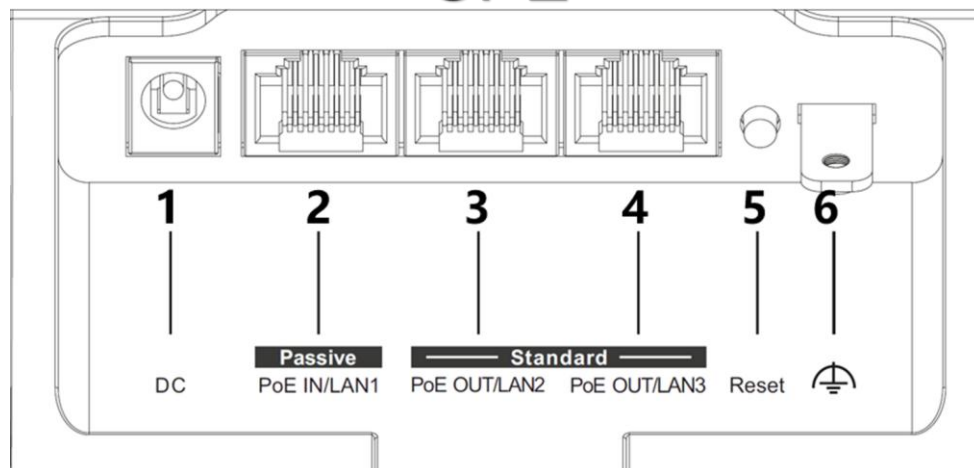
## Physical Interface



| No. | Interface/Button      | Description   |
|-----|-----------------------|---|
| 1   | DC                    | Support DC 12~24V power supply. PoE OUT is not available when the device is powered by DC port. |
| 2   | Standard PoE IN/LAN 1 | The 10/100/1000 Mbps adaptive RJ45  |

|   |       |  |
|---|-------|--|
|   |       | port, also can be used as a standard PoE input port.     |
| 3 | LAN2  | The 10/100/1000 Mbps adaptive RJ45 port.                 |
| 4 | LAN3  | The 10/100/1000 Mbps adaptive RJ45 port.                 |
| 5 | Reset | Long press for 4 seconds to restore to factory settings. |

## CPE

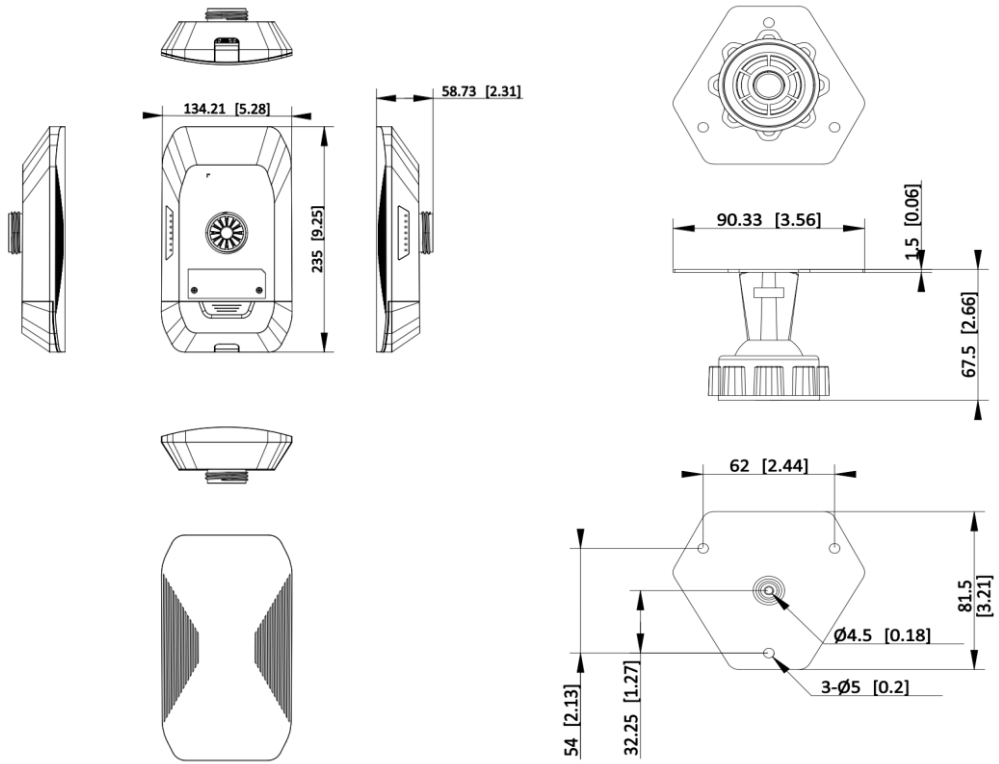


| No. | Interface/Button       | Description   |
|-----|------------------------|---|
| 1   | DC                     | Support DC 12~24V power supply. PoE OUT is not available when the device is powered by DC port. |
| 2   | Passive PoE IN/LAN 1   | The 10/100/1000 Mbps adaptive RJ45 port, also can be used as a passive PoE input port.          |
| 3   | Standard PoE OUT/LAN 2 | The 10/100/1000 Mbps adaptive RJ45 port, also can be used as a standard PoE output port.        |
| 4   | Standard PoE OUT/LAN 3 | The 10/100/1000 Mbps adaptive RJ45 port, also can be used as a standard PoE output port.        |
| 5   | Reset                  | Long press for 4 seconds to restore to factory settings.  |

### ▪ Available Model

DS-3WF5000-SI-5ACG/2P

### ▪ Dimension



# See Far, Go Further



[www.hikvision.com](http://www.hikvision.com)  
[support@hikvision.com](mailto:support@hikvision.com)

