

DS-7608NI-Q1/8P(E) 8-ch 1U Q Series POE NVR



- Up to 8-ch IP camera inputs
- H.265+/H.265/H.264+/H.264 video formats
- Up to 2-ch@8 MP/4-ch@4 MP/8-ch@1080p decoding capacity
- Up to 80 Mbps incoming bandwidth

▪ Function

Professional and Reliability

- H.265+ compression effectively reduces the storage space by up to 75%

HD Video Output

- Provide simultaneous HDMI and VGA outputs

- HDMI video output at up to 4K resolution

Storage and Playback

- 1 SATA interface for HDD connection (up to 8 TB capacity per HDD)

- Smart search/smart playback to improve the playback efficiency

Smart Function

- 4-ch Motion Detection 2.0

- Support multiple VCA (Video Content Analytics) events

- Configurable special camera smart functions, such as VCA detection (motion, line crossing, intrusion, etc.)

Network & Ethernet Access

- 8 independent PoE network interfaces

- 1 self-adaptive 10/100 Mbps Ethernet interface

- Hik-Connect for easy network management

▪ Specification

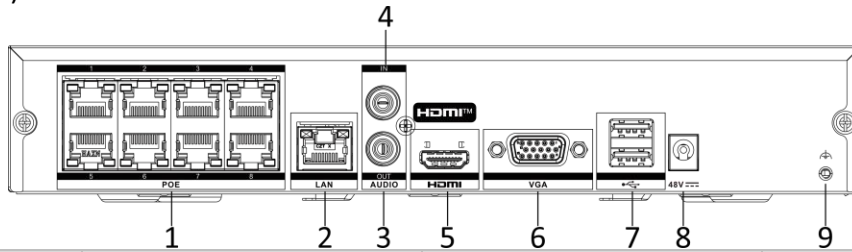
Motion Detection 2.0	
Human/Vehicle Analysis	4-ch
Video and Audio	
IP Video Input	8-ch
Incoming Bandwidth	80 Mbps
Outgoing Bandwidth	80 Mbps
HDMI Output	1-ch, 4K (4096 × 2160)/30Hz, 4K (3840 × 2160)/30Hz, 2K (2560 × 1440)/30Hz, 1920 × 1080p/60Hz, 1600 × 1200/60Hz, 1280 × 1024/60Hz, 1280 × 720/60Hz
VGA Output	1-ch, 1920 × 1080p/60Hz, 1600 × 1200/60Hz, 1280 × 1024/60Hz, 1280 × 720/60Hz, 1280×720 /60Hz
Video Output Mode	HDMI/VGA simultaneous output
Audio Output	1-ch, RCA (Linear, 1 kΩ)
Two-Way Audio	1-ch, RCA (2.0 Vp-p, 1 k Ω)
Recording	
Stream Type	Video, Video & Audio
Audio Compression	G.711ulaw/G.711alaw/G.722/G.726
Decoding	
Decoding Format	H.265+,H.265,H.264+,H.264
Recording Resolution	8 MP/6 MP/5 MP/4 MP/3 MP/1080p/UXGA /720p/VGA/4CIF/DCIF/ 2CIF/CIF/QCIF
Synchronous playback	8-ch
Decoding Capability	AI&4K Off: 8-ch@1080p(30fps) AI/4K On: 6-ch@1080p(30fps) *: The length or width of camera resolution (each track) cannot exceed 4096 pixels.
Network	
Remote Connection	32
Network Protocol	TCP/IP, DHCP, Hik-Connect, DNS, DDNS, NTP, SADP, SMTP, NFS, iSCSI, UPnP™, HTTPS
Network Interface	1, RJ-45 10/100 Mbps self-adaptive Ethernet interface
PoE	
Interface	8, RJ-45 10/100 Mbps self-adaptive Ethernet interfaces
Power	≤ 75W
Standard	IEEE 802.3 af/at
Auxiliary Interface	
SATA	1 SATA interface
Capacity	Up to 8TB capacity for each disk
USB Interface	2 × USB 2.0
Alarm In/Out	N/A (4/1 is optional)
General	
Power Supply	48 VDC or ≤ 90W
Consumption	≤ 10 W (without enabling PoE)
Working Temperature	-10 to +55° C (+14 to +131° F)
Working Humidity	10 to 90 %
Dimension (W × D × H)	263× 223 × 48 mm (10.34" × 8.76" × 1.9")
Weight	≤ 1.5 kg (3.3 lb)

Certification

CE 55032/55035/61000-3-2/61000-3-3/50130-4

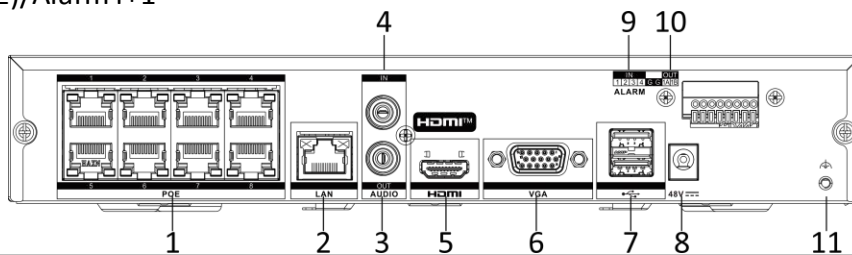
Physical Interface

DS-7608NI-Q1/8P(E)



Number	Description	Number	Description
1	PoE interfaces	6	VGA interface
2	LAN network interface	7	USB interfaces
3	Audio out	8	48 VDC power input
4	Audio in	9	GND
5	HDMI interface		

DS-7608NI-Q1/8P(E)/Alarm4+1



Number	Description	Number	Description
1	PoE interfaces	7	USB interfaces
2	LAN network interface	8	48 VDC power input
3	Audio out	9	Alarm in
4	Audio in	10	Alarm out
5	HDMI interface	11	GND
6	VGA interface		

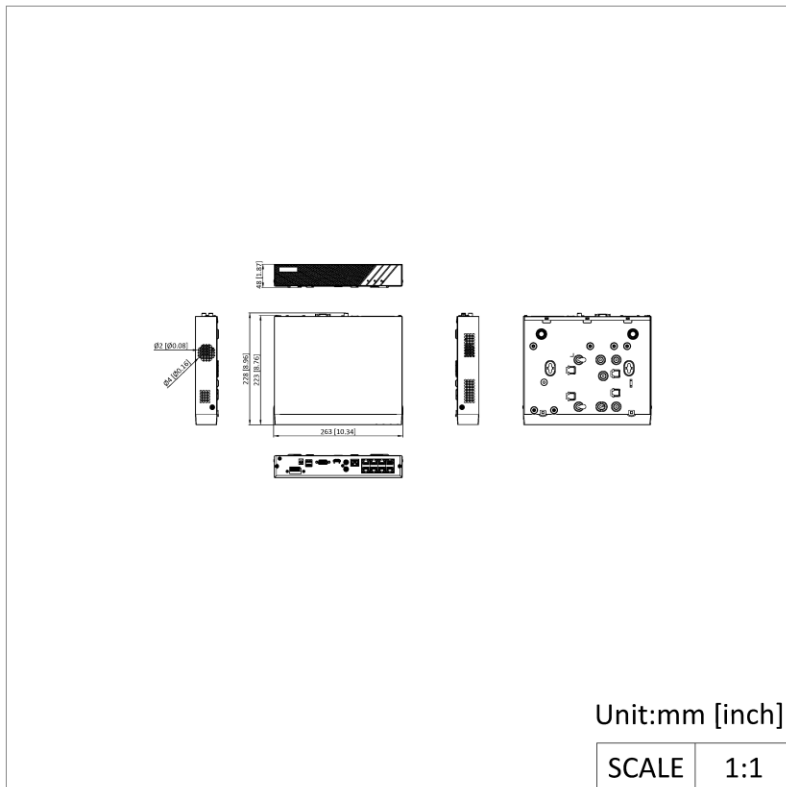
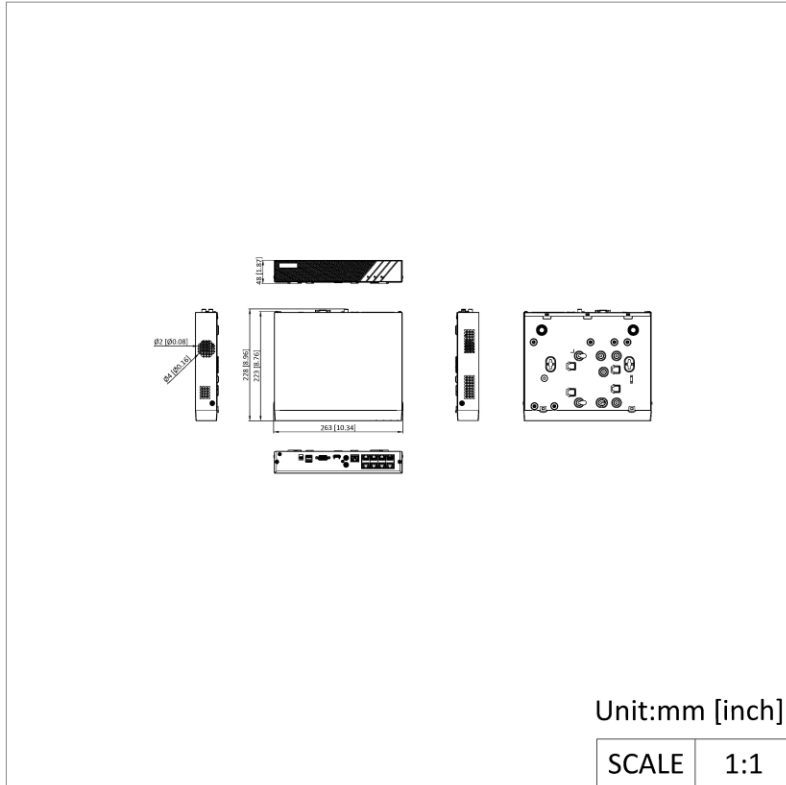
Available Model

DS-7608NI-Q1/8P(E)(STD)

DS-7608NI-Q1/8P(E)(STD)/Alarm4+1

DS-7608NI-Q1/8P(E)(NEU)

Dimension



See Far, Go Further



www.hikvision.com
support@hikvision.com

