

DS-D5022FC-B 22-inch Monitor



- LED backlit technology with full HD 1920 × 1080.
- Image processing: 3D comb filter, 3D de-interlace, 3D noise reduction.
- Multiple interfaces: HDMI, VGA, BNC, USB, and AUDIO IN.
- Built-in speaker.
- Wide viewing angle: Horizontal 170°, Vertical 160°.
- 7 × 24 hours working mode.



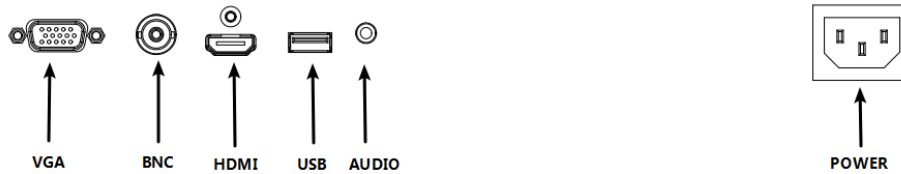
▪ Specification

	Model	DS-D5022FC-B
Display	Screen Size	21.5"
	Active Display Area	476.64 mm (H) × 268.11 mm (V)
	Resolution	1920 × 1080
	Backlight	E-LED
	Pixel Pitch	0.24825 mm
	Brightness	250 cd/m ²
	Viewing Angle	170° / 160°
	Color Depth	8 bit
	Contrast Ratio	1000:1
	Response Time	5 ms
	Refresh Rate	60 Hz
	Haze	2 %, Anti-Glare, 3H (Non-Haze)
	Reliability	7 × 24 H
	Color Gamut	72%
Interface	Video & Audio Input	HDMI × 1, VGA × 1, BNC × 1, AUDIO IN × 1
	Video & Audio Output	8 Ω 2 W × 2
	Data Transmission Interface	USB 2.0 × 1
	Control Interface	NA
Power	Power Supply	100 to 240 VAC, 50/60 Hz
	Power Consumption	≤ 24 W
	Standby Consumption	≤ 0.5 W
Working Environment	Working Temperature	0 °C to 40 °C (32 °F to 104 °F)
	Working Humidity	20% to 80% RH (Non-Condensing)
	Storage Temperature	-20 °C to 60 °C (-4 °F to 140 °F)
	Storage Humidity	20% to 80% RH (Non-Condensing)
General	Casing Material	Plastic
	VESA	75 mm × 75 mm, 4-M6 × 6 screw holes
	Bezel Width	19.06 mm (top/left/right), 30.87 mm (bottom)
	Product Dimensions (W × H × D)	516.75 (W) mm × 320.03 (H) mm × 45.55 (D) mm (19.95" × 10.50" × 1.49")
	Package Dimensions (W × H × D)	641 (W) mm × 457 (H) mm × 154 (D) mm (21.03" × 14.99" × 5.05")
	Net Weight	3.1 ± 0.5 kg (6.83 ± 1.1 lb.)
	Gross Weight	4.4 ± 0.5 kg (9.7 ± 1.1 lb.)
	Packing List	Power cable × 1, HDMI 1.5 m × 1, user manual × 1, remote control × 1
Remarks	*The base is included by default. *The product appearance and parameters in this specification may vary from your actual device. Please consult our local sales staff for further information.	

▪ **Available Model**

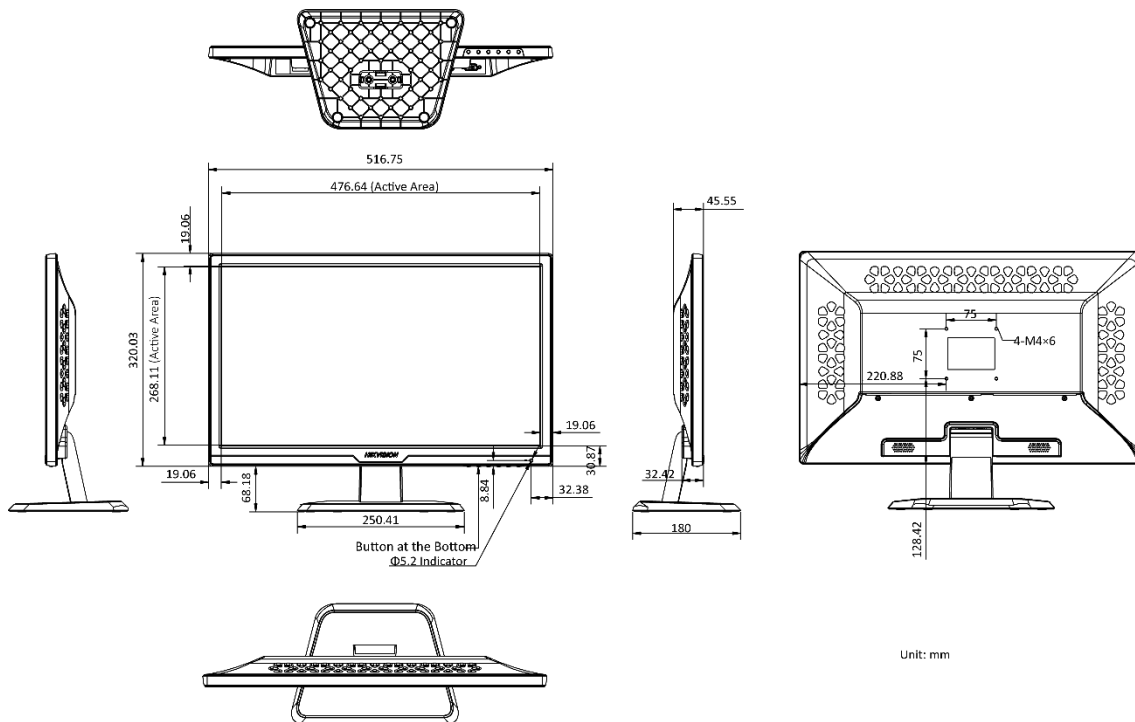
DS-D5022FC-B

▪ **Physical Interface**



Interface	Description	Interface	Description
VGA	VGA signal input interface	HDMI	HDMI signal input interface
BNC	CVBS signal input interface	USB	USB 2.0 input interface
AUDIO	Audio input interface	100-240~	AC power supply

Dimension



Distributed by

HIKVISION®

Headquarters

No.555 Qianmo Road, Binjiang District,
Hangzhou 310051, China
T +86-571-8807-5998
overseasbusiness@hikvision.com

Hikvision USA
T +1-909-895-0400
sales.usa@hikvision.com

Hikvision Australia
T +61-2-8599-4233
salesau@hikvision.com

Hikvision India
T +91-22-28469900
sales@pramahikvision.com

Hikvision Canada
T +1-866-200-6690
sales.canada@hikvision.com

Hikvision Thailand
T +662-275-9949
sales.thailand@hikvision.com

Hikvision Europe
T +31-23-5542770
sales.eu@hikvision.com

Hikvision Italy
T +39-0438-6902
info.it@hikvision.com

Hikvision Brazil
T +55 11 3318-0050
Latam.support@hikvision.com

Hikvision Turkey
T +90 (216)521 7070- 7074
sales.tr@hikvision.com

Hikvision Malaysia
T +601-7652-2413
sales.my@hikvision.com

Hikvision UK & Ireland
T +01628-902140
sales.uk@hikvision.com

Hikvision South Africa
Tel: +27 (10) 0351172
sale.africa@hikvision.com

Hikvision France
T +33(0)1-85-330-450
info.fr@hikvision.com

Hikvision Kazakhstan
T +7-727-9730667
nikia.panfilov@hikvision.ru

Hikvision Vietnam
T +84-974270888
sales.vt@hikvision.com

Hikvision UAE
T +971-4-4432090
salesme@hikvision.com

Hikvision Singapore
T +65-6684-4718
sg@hikvision.com

Hikvision Spain
T +34-91-737-16-55
info.es@hikvision.com

Hikvision Tashkent
T +99-87-1238-9438
uzb@hikvision.ru

Hikvision Hong Kong
T +852-2151-1761
info.hk@hikvision.com

Hikvision Russia
T +7-495-669-67-99
saleru@hikvision.com

Hikvision Korea
T +82-(0)31-731-8817
sales.korea@hikvision.com

Hikvision Poland
T +48-22-460-01-50
info.pl@hikvision.com

Hikvision Indonesia
T +62-21-2933759
Sales.Indonesia@hikvision.com

Hikvision Colombia
sales.colombia@hikvision.com