

## DS-KH6310-WL

### Video Intercom Indoor Station with 7-inch Touch Screen

#### Key Features

##### Basic Functions

- Hands-free audiovisual communication with the door station and the master station in the intercom system
- Panic call supported
- 2-ch zone alarm supported
- Supports monitoring door stations and external cameras
- Remote unlocking via the client software or the app
- High-performance embedded SOC processor

##### Video/Audio Functions

- HD video surveillance with high performance CMOS
- 7-inch colorful FTF LCD with resolution 800 x 480
- Capacitive touch screen and physical buttons
- Noise suppression and echo cancellation
- H.264 video compression



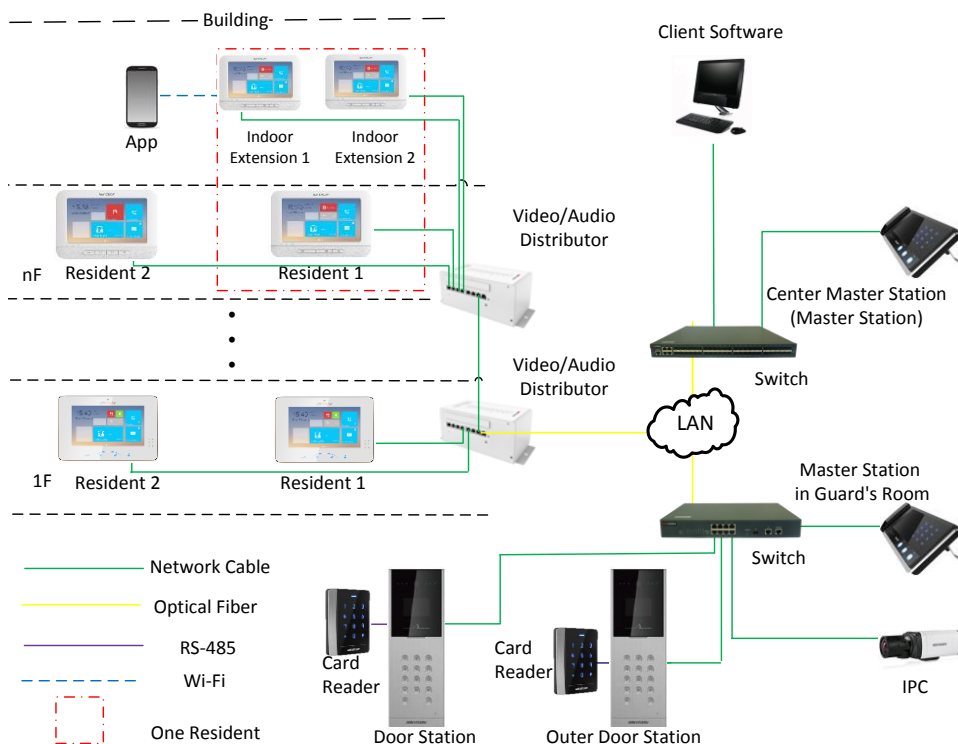
##### Alarm Functions

- 2-ch alarm input sensors supported
- Auto-uploads alarm messages to the master station the client software, or the app once the alarm sensor is triggered

##### Additional Features

- Community notice supported
- Convenient installation and easy operation

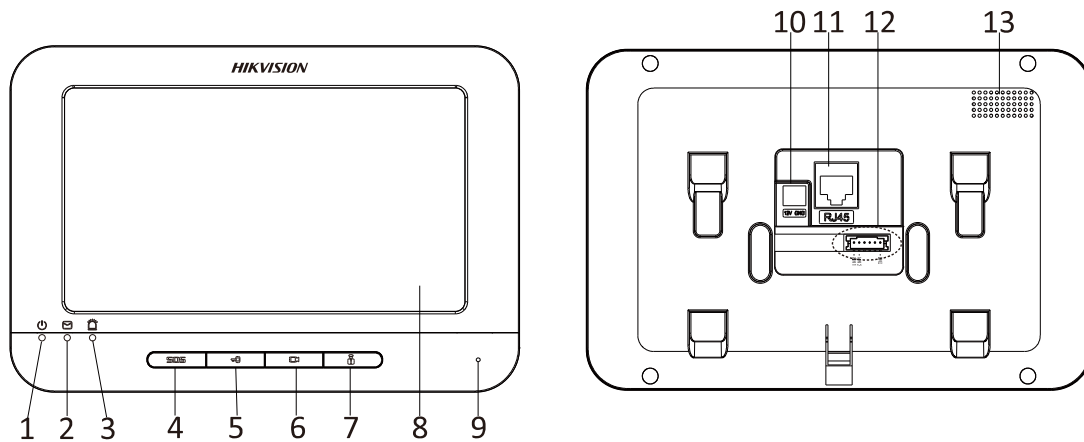
#### Typical Application



## Specifications

Model	DS-KH6310-WL	
System parameters	<b>Processor</b>	High-Performance Embedded SOC Processor
	<b>Operation system</b>	Embedded Linux Operation System
Display parameters	<b>Display screen</b>	7-Inch Colorful TFT LCD
	<b>Display resolution</b>	800 × 480
	<b>Operation method</b>	Capacitive Touch Screen, Physical Button
	<b>Operation interface</b>	Flattened UI Operation Interface
Audio parameters	<b>Audio input</b>	Built-in Omnidirectional Microphone
	<b>Audio output</b>	Built-in Loudspeaker
	<b>Audio compression standard</b>	G.711 U
	<b>Audio compression rate</b>	64 Kbps
	<b>Audio quality</b>	Noise Suppression and Echo Cancellation
Network parameters	<b>Ethernet</b>	10/100 Mbps Self-Adaptive Ethernet
	<b>Network protocol</b>	TCP/IP, RTSP
Alarm parameters	<b>Alarm input</b>	2-ch Alarm Input Sensor
Device interfaces	<b>Network interface</b>	1 RJ-45 10/100 Mbps Self-Adaptive Ethernet Interface
	<b>RS-485</b>	1 RS-485 Half-Duplex Port
	<b>I/O output</b>	1
General	<b>Memory</b>	256 M
	<b>Power supply</b>	24 VDC, Power Over Network Cable (DS-KAD606, DS-KAD612)
		12 VDC
	<b>Power consumption</b>	≤10 W
	<b>Working temperature</b>	-10° C to + 55° C (14° F to 131° F)
	<b>Working humidity</b>	10% to 90%
	<b>Dimensions (L × W × H)</b>	217 mm × 142 mm × 26 mm (8.5" × 5.6" × 1.0")
<b>Certification</b>	FCC, IC, CE, C-TICK, ROHS, REACH, WEEE	

## Appearance and Interfaces



Index	Description	Index	Description
1	Power Supply Indicator	8	LCD Display Screen
2	Information Indicator	9	Microphone
3	Alarm Indicator	10	Power Supply Interface
4	SOS Key	11	Network Interface
5	Unlock Key	12	Terminals
6	Live View Key	13	Loudspeaker
7	Management Center Key		

Distributed by

### Available Model

DS-KH6310-WL

## HIKVISION®

### Headquarters

No.555 Qianmo Road, Binjiang District,  
Hangzhou 310051, China  
T +86-571-8807-5998  
overseasbusiness@hikvision.com

**Hikvision USA**  
T +1-909-895-0400  
sales.usa@hikvision.com

**Hikvision Europe**  
T +31-23-55-42-770  
info.eu@hikvision.com

**Hikvision Middle East**  
T +971-4-8816086  
salesme@hikvision.com

**Hikvision Russia**  
T +7-495-669-67-99  
sateru@hikvision.com

**Hikvision India**  
T +91-22-28469900  
sales@pramahikvision.com

**Hikvision Italy**  
T +39-0438-6902  
info.it@hikvision.com

**Hikvision France**  
T +33(0)1-85-330-450  
info.fr@hikvision.com

**Hikvision Spain**  
T +34-91-737-16-55  
info.es@hikvision.com

**Hikvision Poland**  
T +48-22-460-01-50  
poland@hikvision.com

**Hikvision UK**  
T +01628-902140  
support.uk@hikvision.com

**Hikvision Singapore**  
T +65-6684-4718  
sg@hikvision.com

**Hikvision Oceania**  
T +61-2-8599-4233  
salesau@hikvision.com

**Hikvision Canada**  
T +1-909-895-0400  
sales.usa@hikvision.com

**Hikvision Korea**  
T +82-31-731-8841  
sales.korea@hikvision.com

**Hikvision Brazil**  
T +55 11 3318-0050  
Latam.support@hikvision.com

**Hikvision Africa**  
T +27 (0) 0351172  
sale.africa@hikvision.com

**Hikvision Hong Kong**  
T +852-2151-1761