

DS-UPS1000-R UPS



- Built-in AVR
- Super fast charging
- Wide input voltage range
- Overload protection
- Short circuit protection
- Surge protection

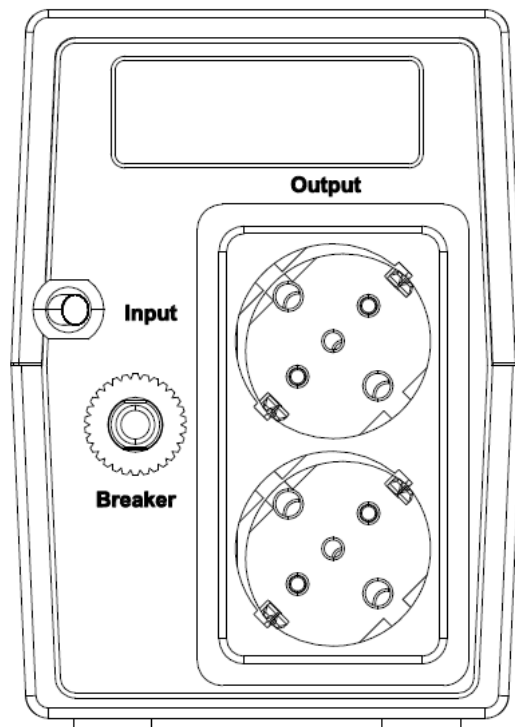
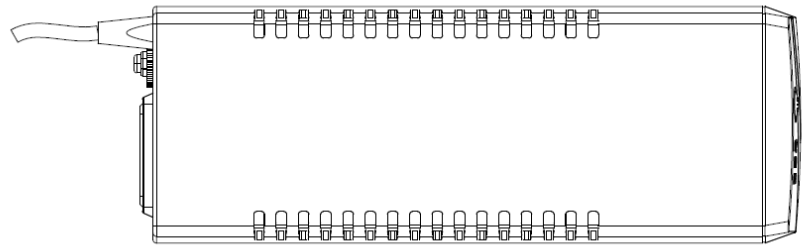
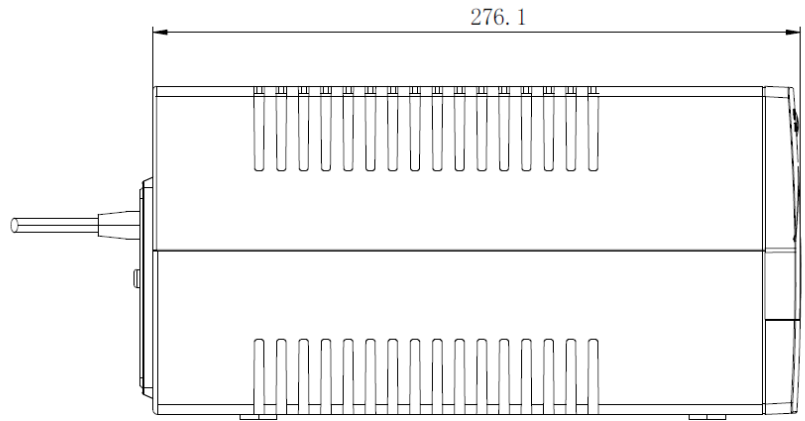
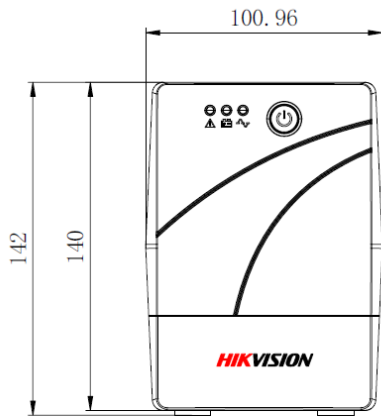
▪ Specification

| Power | |
|-----------------------|--|
| UPS Capacity | 1000 VA / 600 W |
| Input | |
| Input Voltage Range | 162 VAC to 268 VAC (220V) 170 VAC to 280 VAC (230V) 177 VAC to 290 VAC (240V) |
| Input Frequency | 50/60 Hz self-adaptive |
| Plug Type | Schuko |
| Output | |
| Output Voltage Range | 220/230VAC ± 10% |
| Output Frequency | 50/60 Hz ± 0.5 Hz self-adaptive |
| Transfer Time | ≤ 10 ms |
| Waveform | Simulated Sine wave |
| Outlet Type | Schuko |
| Outlet Number | 2 |
| Battery | |
| Battery Type | 12 V/9 Ah x 1, lead-acid battery |
| Recharge Time | 4-6 hours recover to 90% capacity |
| Typical Backup Time | Run time at 100w: 20-25 min |
| Interface | |
| Communicate Ports | No |
| Protection | |
| Full Protection | Surge protection, Overload protection, Discharge protection, Short circuit protection |
| Indicator | |
| Display | LED indicator Line mode: Solid green led lighting Battery mode: Solid yellow led flash Fault mode: Solid red led lighting |
| Alarm | Battery mode: Sounding every 10 seconds. Low battery : Sounding every second. Over load : Sounding every 0.5 seconds. Fault: Continuously sounding. |
| General | |
| Operating Temperature | 0 °C to 40 °C (32 °F to 104 °F) |
| Operating Humidity | 0% to 90% (non-condensing) |
| Dimension | 276.1 mm × 101 mm × 142 mm (10.9" × 3.98" × 5.59") |
| Weight | 5.55kg |

▪ Available Model

DS-UPS1000-R

▪ Dimension



Headquarters

No.555 Qianmo Road, Binjiang District,
Hangzhou 310051, China
T +86-571-8807-5998
www.hikvision.com



Follow us on social media to get the latest product and solution information.

