

DS-UPS2000-R UPS



- Built-in AVR
- Super fast charging
- Wide input voltage range
- Overload protection
- Short circuit protection
- Surge protection
- USB port for remote control
- LCD display

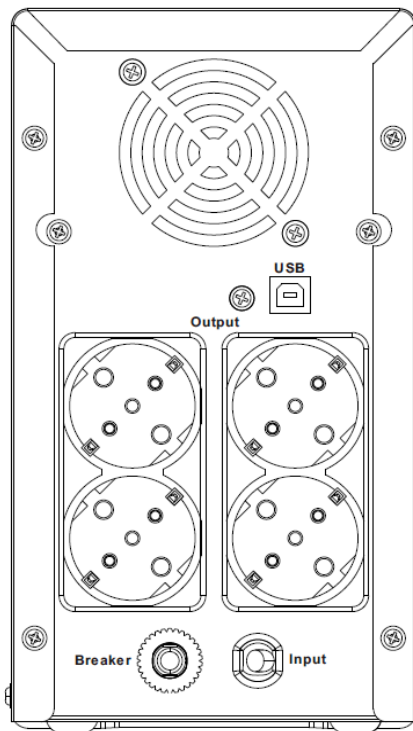
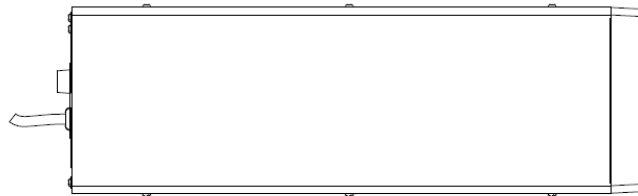
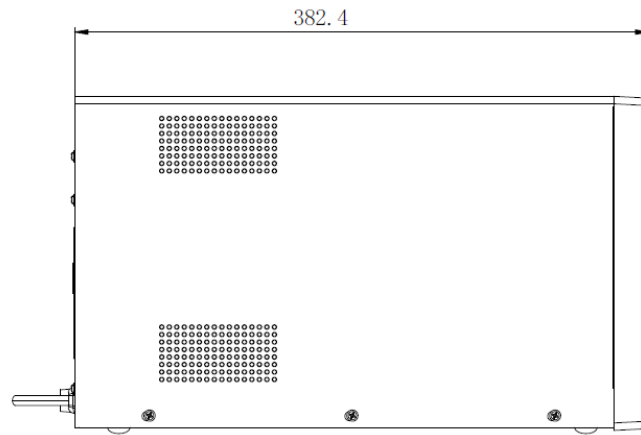
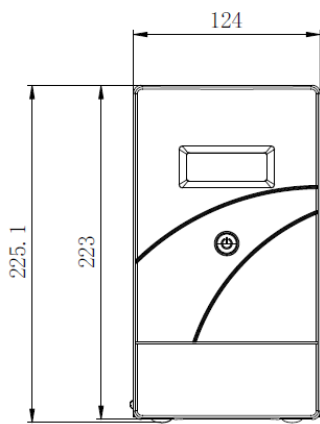
▪ Specification

Power	
UPS Capacity	2000 VA / 1200 W
Input	
Input Voltage Range	162 VAC to 268 VAC (220V) 170 VAC to 280 VAC (230V) 177 VAC to 290 VAC (240V)
Input Frequency	50/60 Hz self-adaptive
Plug Type	Schuko
Output	
Output Voltage Range	220/230VAC ± 10%
Output Frequency	50/60 Hz ± 0.5 Hz self-adaptive
Transfer Time	≤ 10 ms
Waveform	Simulated Sine wave
Outlet Type	Schuko
Outlet Number	4
Battery	
Battery Type	12 V/9 Ah x 2 , lead-acid battery
Recharge Time	6-8 hours recover to 90% capacity
Typical Backup Time	Run time at 300w: 15-20 min
Interface	
Communicate Ports	USB
Protection	
Full Protection	Surge protection, Overload protection, Discharge protection, Short circuit protection
Indicator	
Display	LCD Screen AC Mode, Battery Mode, Load Level, Battery Level, Input Voltage, Output Voltage, Overload, Fault, and Battery Low
Alarm	Battery mode: Sounding every 10 seconds. Low battery : Sounding every second. Over load : Sounding every 0.5 seconds. Fault: Continuously sounding.
General	
Operating Temperature	0 °C to 40 °C (32 °F to 104 °F)
Operating Humidity	0% to 90% (non-condensing)
Dimension	124 mm × 382.42 mm × 225.1 mm (4.88" × 15.06"× 8.86")
Weight	Approx. 10.5 kg (23.15 lb)

▪ Available Model

DS-UPS2000-R

▪ Dimension



Headquarters

No.555 Qianmo Road, Binjiang District,
Hangzhou 310051, China
T +86-571-8807-5998
www.hikvision.com



Follow us on social media to get the latest product and solution information.

