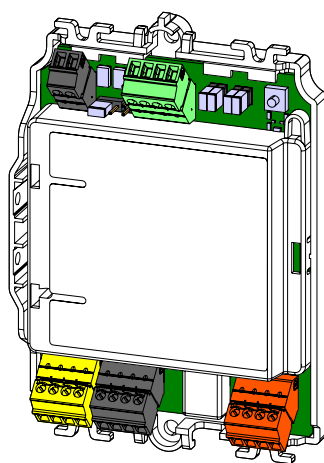


Sinteso™/ Cerberus™ PRO

Input/Output Module (Transponder)

FDCIO223 ES ≥50



An input/output module (transponder) addressed for the FDnet and C-NET detector lines

- Two monitored inputs/outputs, which can optionally be used as follows:
 - Collective detector line/conventional detector line
 - Contact input
 - Control output
 - Control output with confirmation
- LED indicator for input/output statuses, fault, test, etc.
- DC 24 V control output for equipment, max. 2x 1 A or 1x 1.5 A
- Internal fuses for the outputs that can be bridged, 2x 0.7 AT
- Two-wire installation for all cable types
- Pluggable connection terminals
- DC 24 V external power supply (detector lines electrically isolated)
- Microprocessor-controlled signal processing
- Communication via FDnet/C-NET (addressed individually)

Eco-friendly

- Environmentally friendly processing
- Recyclable materials
- Electronic parts and synthetic materials can be easily separated

Features

- Transparent housing, ensuring that LED indicators are easy to see
- Protected electronics
- Integrated line separator
- Easy mounting using snap fastener on U-rails TS35 in fire control panels
- Can be used in dry areas
- Housing FDCH221 can be used in dusty and humid environments.

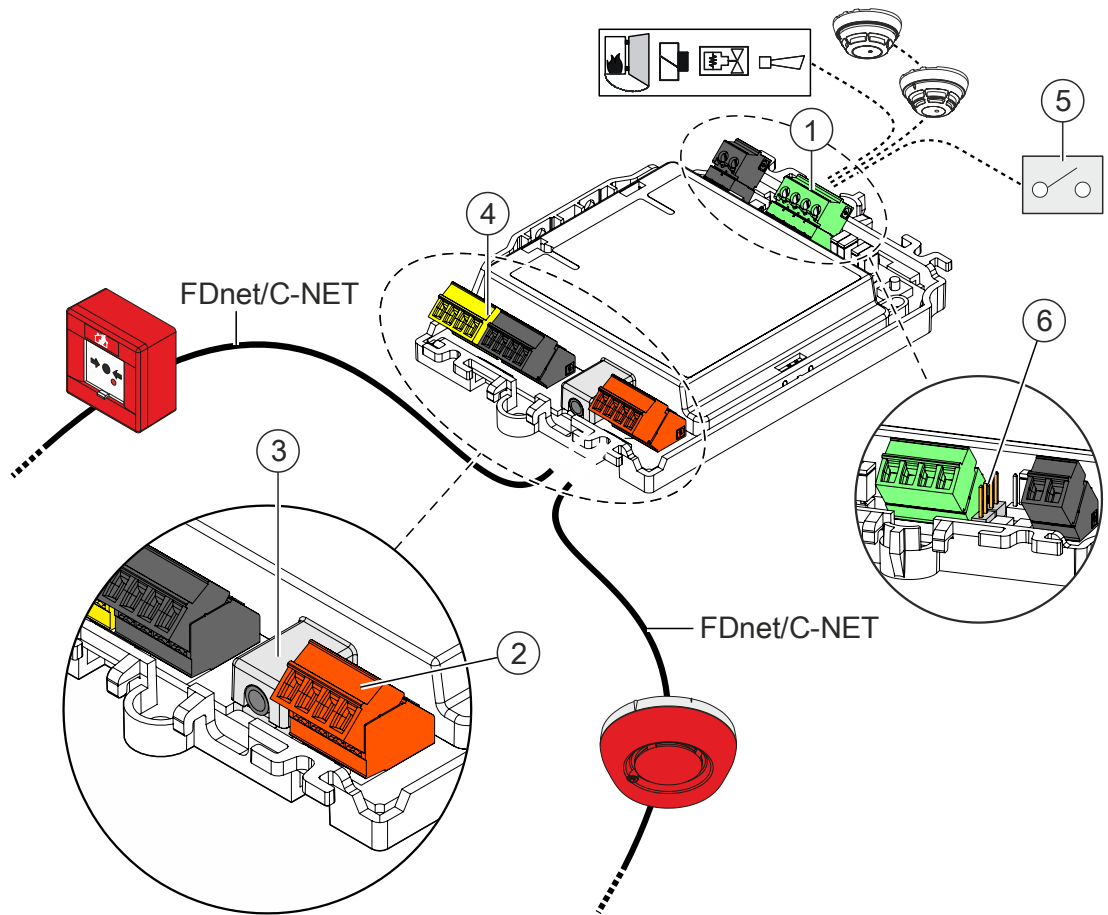


You can request the data sheet, mounting instructions, and technical manual for FDCIO223 with a product version ES <50 via the Customer Support Center (CSC). Contact the CSC by phone on +49 89 9221-8000.

The input/output module (transponder) FDCIO223 has the following application areas:

- Connection of collective fire detectors. If safety barrier SB3 is used, intrinsically safe collective fire detectors can be connected in potentially explosive atmospheres
- Connection of conventional fire detectors
- Monitored control of equipment such as smoke dampers, alarm devices, and door magnets

The input/output module (transponder) has a monitored signal input for status or alarm messages, or for confirming technical statuses.



- | | | | |
|---|--|---|---------------------------------------|
| 1 | Connections for input/output, collective/conventional detector line (2x) | 4 | External supply DC 24 V |
| 2 | Connection for the FDnet/C-NET detector line | 5 | Contact input |
| 3 | Connection for the detector exchanger and tester (MC link) | 6 | Jumper for internal fuses max. 0.7 AT |

	<p>NOTICE</p>
	<p>Country-specific safety regulations</p> <p>Failure to observe country-specific safety regulations can cause injury to persons and damage to property.</p> <ul style="list-style-type: none"> • Observe country-specific regulations and comply with the corresponding safety directives.

Functions

The two inputs/outputs can be configured independently of one another as follows:

- Collective detector line and conventional detector line
- Contact input
- Control output
- Control output and input as confirmation with selectable monitoring window

The inputs/outputs are monitored as follows:

- Detector line set to quiet, alarm, open line, short-circuit, fault, and ground fault
- Contact input set to quiet, activated, open line, short-circuit, fault (terminating resistor), and ground fault
- Control output set to quiet, open line, short-circuit, and ground fault

The status is indicated by means of LED.

Control output with selectable equipment monitoring, either identical polarity or reverse polarity (e.g., alarm devices)

Type Overview

Type	Designation	Order no.	Weight [kg]
FDCIO223 (ES ≥50)	Input/output module (transponder) incl. 2 20 V Transzorb diodes, 4 sets of terminating resistors, 2 mounting feet, 2 jumpers	S24218-B102-A1	0.126

Accessories for the input/output module (transponder) FDCIO223

Type	Designation	Order no.	Weight [kg]
FDCH221	Housing with cover, seal, and screws	S54312-F3-A1	0.282
–	M20 x 1.5 metal cable gland	A5Q00004478	0.036
–	M20 metal counter nut	A5Q00004479	0.006
DBZ1190-AB	0.5...2.5 mm ² (3-pin) connection terminal	BPZ:4942340001	0.001
TS35 (L = 122 mm)	U-rail TS35/7.5/122	BPZ:5644780001	0.041
TS35 (L = 288 mm)	U-rail TS35/7.5/288	BPZ:5644230001	0.098

Replacement material for the input/output module (transponder) FDCIO223

Type	Designation	Order no.	Weight [kg]
FDCM291	Mounting foot	A5Q00003855	0.001

Document ID	Name
008164	Equipment overview Sinteso™ Detector system FD20
008331	List of compatibility (for 'Sinteso™' product line)
A6V10229261	List of compatibility (for 'Cerberus™ PRO' product line)
009122	Technical manual Input/output module (transponder) FDCIO223
009124	Installation Input/output module (Transponder) FDCIO223, Housing FDCH221
001204	Principles, applications, installation, maintenance Fire alarm signal in areas at risk of explosion



You can request the data sheet, mounting instructions, and technical manual for FDCIO223 with a product version ES <50 via the Customer Support Center (CSC). Contact the CSC by phone on +49 89 9221-8000. You will find information on how to ascertain the product version of your device in chapter 'Product version ES' of the technical manual.

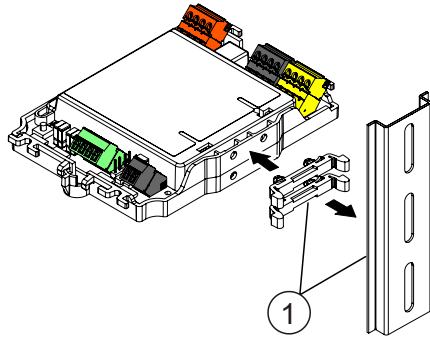
Related documents such as environmental declarations, CE declarations, etc., can be downloaded at the following Internet address:

<https://siemens.com/bt/download>

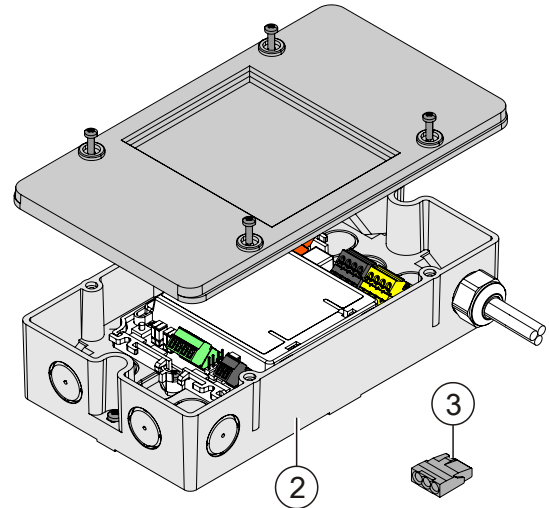
Mounting

Mounting options

- Mounting (series mounting) in a fire control panel on a U-rail TS35
- In housing FDCH221 (accessory) with cover, seal, and screws



- 1 Series mounting using mounting feet supplied, on U-rail TS35



- 2 Mounting in separate housing FDCH221 (accessory)
- 3 Use auxiliary terminals DBZ1190-AB (accessory) for shielded cables

Disposal




The device is considered an electronic device for disposal in accordance with the European Guidelines and may not be disposed of as domestic garbage.

- Dispose of the device through channels provided for this purpose.
- Comply with all local and currently applicable laws and regulations.

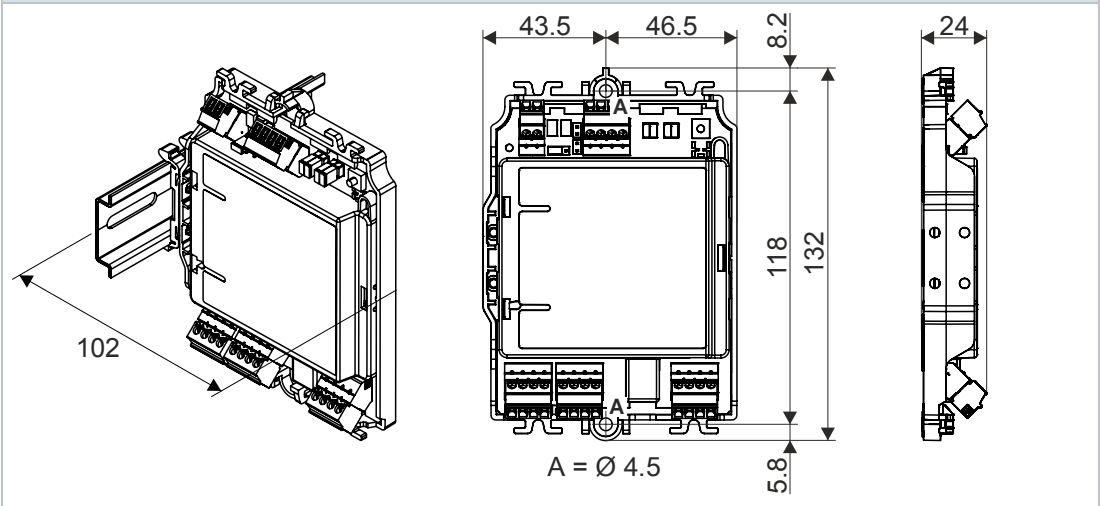
Technical data

General (irrespective of the device)	
FDnet/C-NET operating voltage	DC 12...33 V
Operating current FDnet/C-NET	Max. 0.75 mA
Maximum current connection factor	3
External power supply: <ul style="list-style-type: none"> • Input voltage • Operating current without secondary load at 24 V • Operating current with secondary load 	DC 18...32 V <ul style="list-style-type: none"> • 26 mA (typ.) • 60 mA (max.) Max. 2 A
Inputs/outputs as: <ul style="list-style-type: none"> • Collective detector line/conventional detector line <ul style="list-style-type: none"> – Collective detector key figures KMK – Terminal resistance • Control output • Contact input <ul style="list-style-type: none"> – Terminating resistor combinations 	110 series, MS9, Sigmacon, AlgoRex, Synova600, Synova300, Apollo Series 65 / Orbis or similar 32 20 V Transzorb diode or EOL22 (Ex) DC 24 V ±5 % / max. 1x 1.5 A or 2x 1 A (fuse on 24 V supply line and on output side) 3.3 kΩ / 680 Ω, 2.7 kΩ / 560 Ω, 3.3 kΩ
Operating temperature	-25...+60 °C
Storage temperature	-30...+65 °C
Air humidity	≤85 % rel. (no freezing or condensing at low temperature)
Communication protocol	FDnet/C-NET
Connections: <ul style="list-style-type: none"> • Pluggable connection terminals • MC link 	0.2...1.5 mm ² (with 2.5 mm ² connection terminal DBZ1190-AB) Plug-type connection, 3.5 mm jack socket
Color: <ul style="list-style-type: none"> • Housing • Cover • Housing FDCH221 	~RAL 9010, pure white Transparent matt ~RAL 9010, pure white
Protection category (IEC 60529): <ul style="list-style-type: none"> • When mounted on a U-rail in a fire control panel • With housing FDCH221 	IP30 IP65

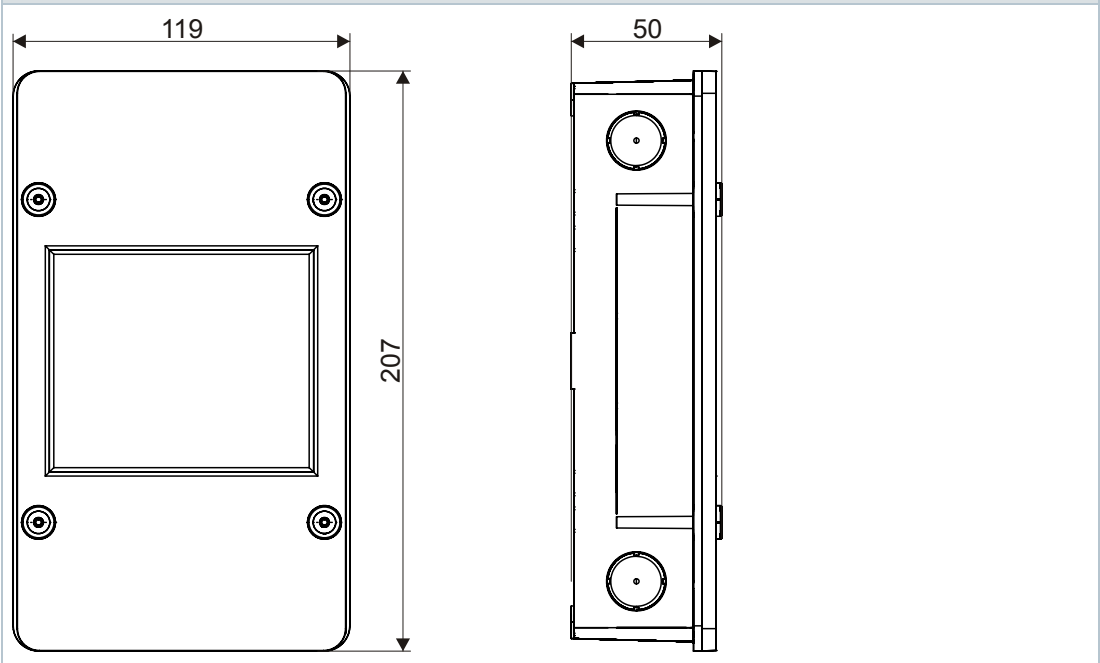
General (irrespective of the device)	
Standards	CEA GEI I-084, EN 54-13, EN 54-17, EN 54-18
Approvals: <ul style="list-style-type: none"> • VdS • LPCB • FM • Marine 	G206054 531m/03 3029351 MEDB00003UU
System compatibility: <ul style="list-style-type: none"> • FDnet • C-NET 	FS20, AlgoRex, SIGMASYS FS720

07  0786	FDCIO223	Siemens Schweiz AG; Theilerstrasse 1a CH-6300 Zug Technical data: see doc. 009122
FDCIO223 - Input/output device incl. short-circuit isolator for use in fire detection and fire alarm systems installed in buildings.		
305/2011/EU (CPR): EN 54-18 / EN 54-17 ; 2014/30/EU (EMC): EN 50130-4 / EN 61000-6-3 ; 2011/65/EU (RoHS): EN 50581		
The declared performance and conformity can be seen in the Declaration of Performance (DoP) and the EU Declaration of Conformity (DoC), which is obtainable via the Customer Support Center: Tel. +49 89 9221-8000 or https://siemens.com/bt/download		
DoP No.: 0786-CPR-20430; DoC No.: CED-FDCIO223		

Input/output module (transponder) FDCIO223



Housing FDCH221



Issued by
Siemens Switzerland Ltd
Building Technologies Division
International Headquarters
Theilerstrasse 1a
CH-6300 Zug
Tel. +41 58 724 2424
www.siemens.com/buildingtechnologies

© Siemens Switzerland Ltd, 2007
Technical specifications and availability subject to change without notice.