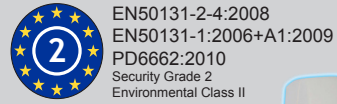


KX10DTP®

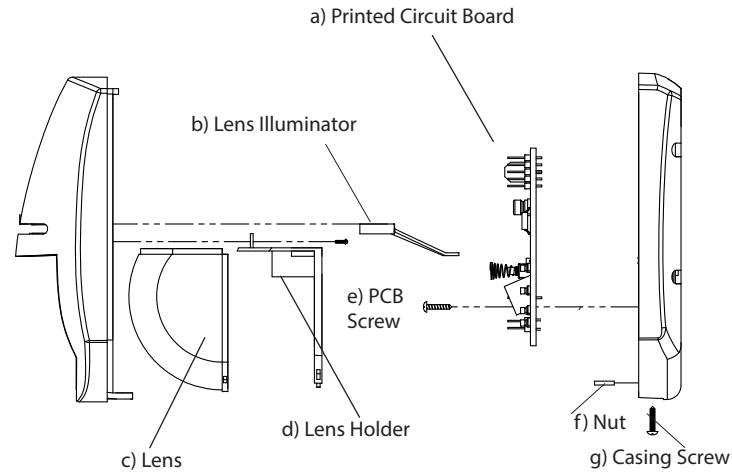
10m Dual Technology Pet Immune Digital Detector



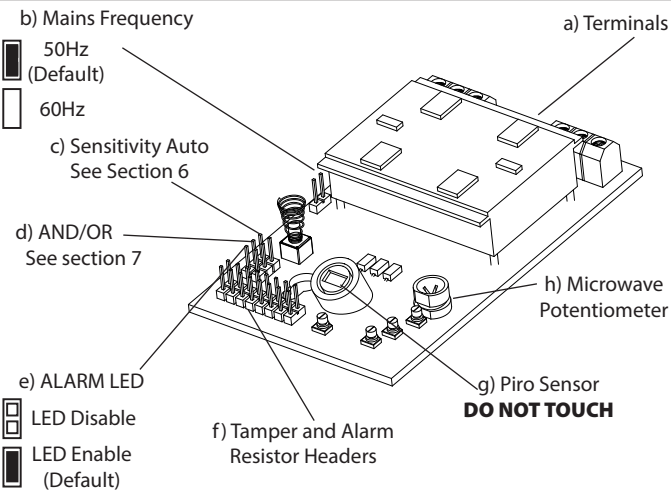
RINS1601-2



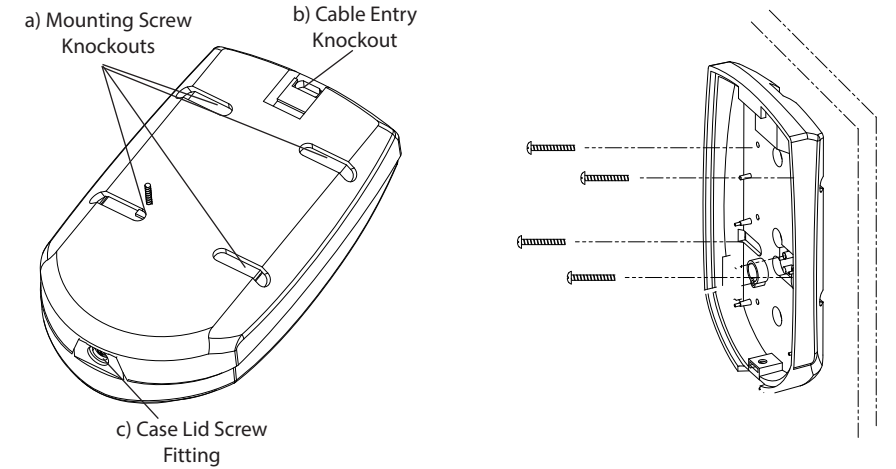
1: Disassembling the KX



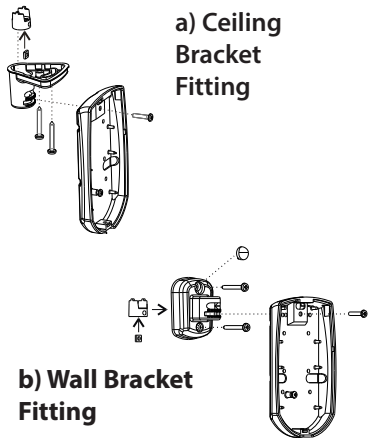
2: The Printed Circuit Board



3: Cable Entry + Mounting



4: Bracket Connections



5: Installation Hints

Do not partially or completely obscure the detector's field of view with large objects such as furniture.

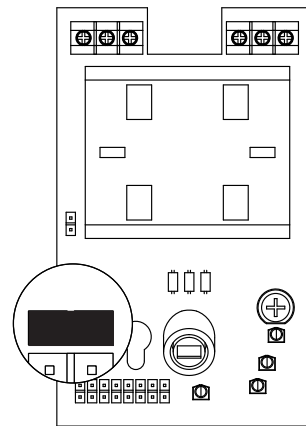
Avoiding False Alarms

1. Avoid placing the detector in direct sunlight.
2. Do not mount the detector near heaters or radiators.
3. Do not mount the detector near open windows or air vents as draughts may cause false alarms
4. Mount the detector on a stable surface.
5. Do not run cable parallel to mains wiring.

IMPORTANT NOTE:
AVOID INSTALLING THIS DETECTOR
LOOKING AT A STAIRCASE.

6: Sensitivity Settings

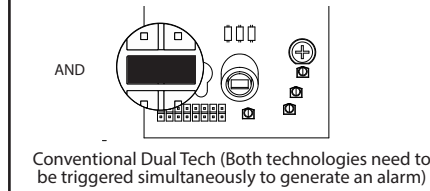
a) Auto Sensitivity (Default)



The total weight of several small pets should not exceed **24kg (55 pounds)**

NOTE: AUTO SENSITIVITY CAN ONLY BE USED ON THIS PET IMMUNE DETECTOR

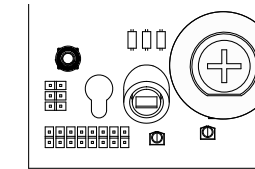
7: AND/OR Mode



DO NOT USE OR MODE WITH THIS PET IMMUNE DETECTOR

8: Microwave Potentiometer

Note: turning pot fully anti-clockwise turns off microwave

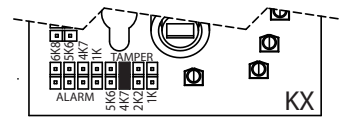


- Minimum Range (0m)
- Maximum Range (10m)
- Not Recommended

9: EOL Resistor Headers

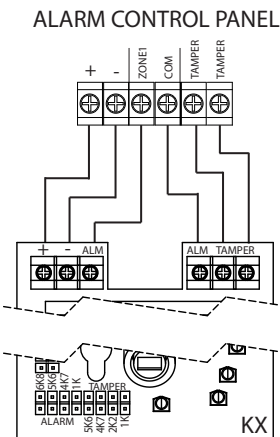
The KX10DTP has 2 set of header pins at the top of the printed circuit board. These headers are used to select the End of Line resistance for EOL wiring applications.

If EOL wiring is not used, leave the headers OFF.

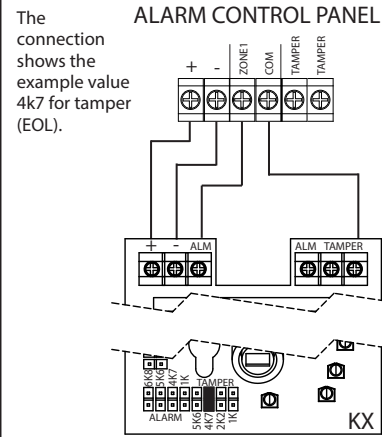


10: Choose the Connection Type:

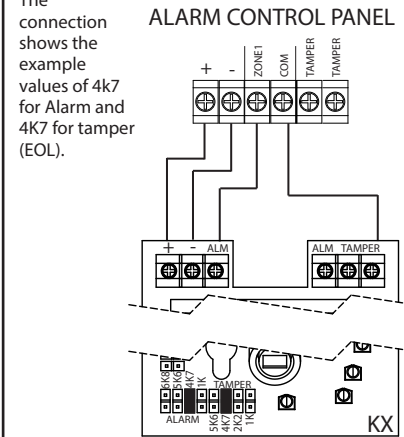
a) Normally Closed



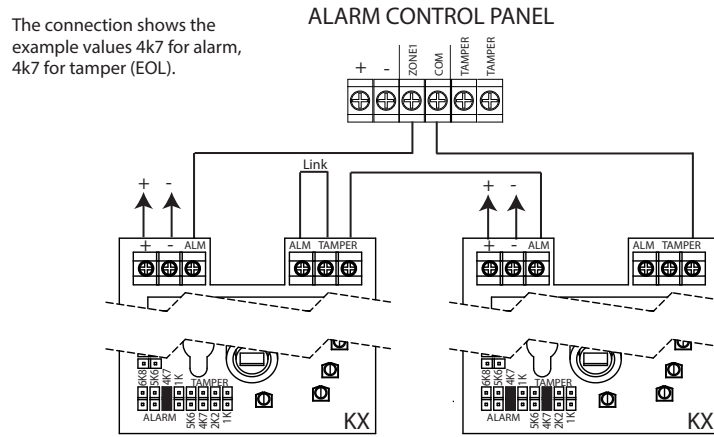
b) Single End of Line Wiring



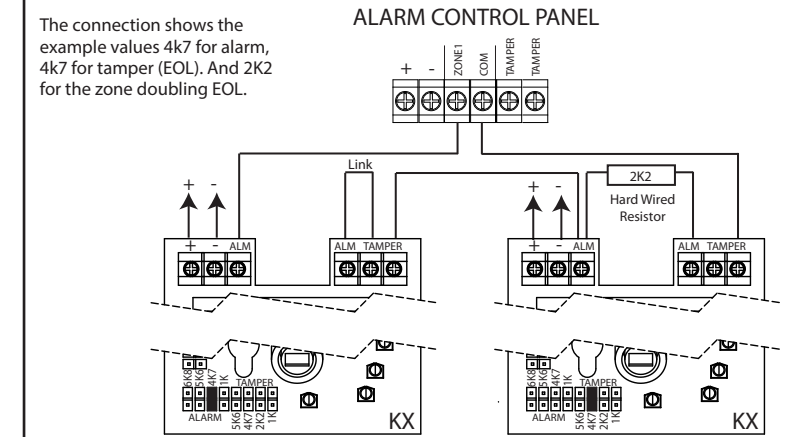
c) Double End of Line Wiring



d) Two Double End of Line Detectors to One Input

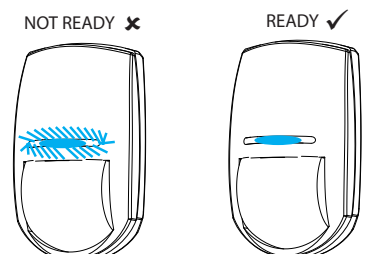


e) Zone Doubling Example (For Matrix 424, 832, 832+)

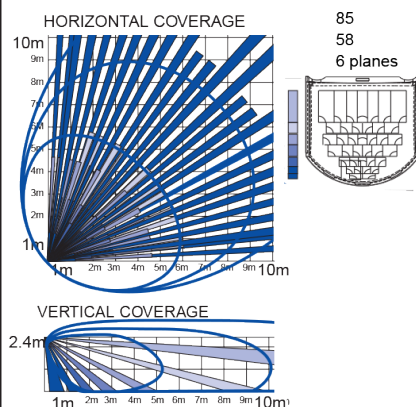


11: Powering Up

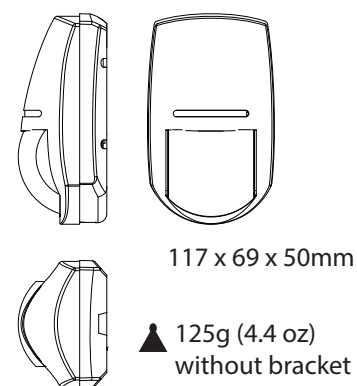
When the detector is first powered up, it will run through a self-test routine, indicated by the flashing LEDs. Once this has distinguished the detector is ready to use.



12: The 10m Volumetric Lens



13: Dimensions and Weight



14: Technical Specification

Model: KX10DTP
Colour: White
LED Colours: Orange (Microwave), Blue (Alarm), Green (PIR)
Casing: 3mm ABS, 0.4mm HDPE in Lens Area
Detection Method: Low noise dual element pyroelectric sensor and Microwave Doppler Sensor
PIR Sensitivity: Auto
Max Pet Tolerance: 24kg (55 pounds)
Temperature Comp: Digital
Detection Range: 10m
Detection Speed: 0.3 - 3.0m/s
Operating Voltage: 9-16V DC 13.8V DC typical

Current Consumption: 24mA @ 12V (Min), 30mA @ 12V (Max)
Relay Output: 50mA 60 VDC, 42 VAC (RMS)
Contact Resistance: <10ohms
Mounting Height: 2 - 2.4m
Tamper Switch: 12V 50mA
Storage Temp: -40°C to 80°C
Certified operating temperature: -10°C to 40°C
Nominal working temperature: -30°C to 70°C
Accessories: Wall and Ceiling brackets
Emissions: EN55022 Class B
Immunity: EN50130-4

15: Compliance and Warranty



This product is approved for use in the Residential, Commercial and Light Industrial Environment. It complies with EN50131-2-4:2008 at security grade 2, environmental class 2. UK = Suitable for use with systems installed to PD6662:2010. EXPORT = Suitable for use with systems installed to EN50131-1:2006+A1:2009

WARRANTY: This product is sold subject to our standard warranty conditions and is warranted against defects in workmanship for a period of five years. In the interest of continuing improvements of quality, customer care and design, Pyronix Ltd reserves the right to amend specifications without giving prior notice.

16: Contact Information

Pyronix Secure Holdings, Pyronix Ltd, Braithwell Way, Hellaby, Rotherham, South Yorkshire S66 8QY

Customer Support:
 +44(0)845 6434 999 (local rate)
 or +44(0)1709 535225

Hours: Mon to Fri, 8:00am till 6:30pm
 Email: customer.support@pyronix.com
 Website: www.pyronix.com

For electrical products sold within the European Community. At the end of the electrical products useful life, it should not be disposed of with household waste. Please recycle where facilities exist. Check with your Local Authority or retailer for recycling advice in your country.